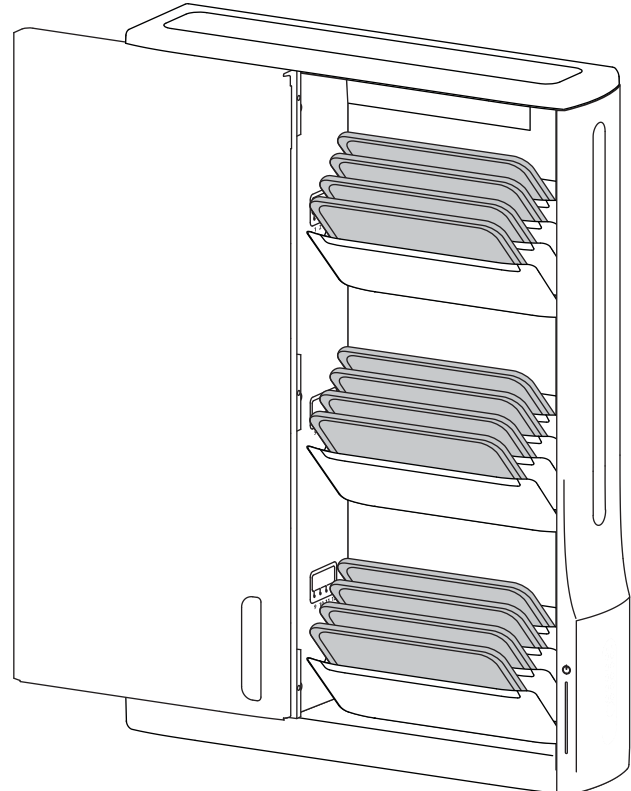
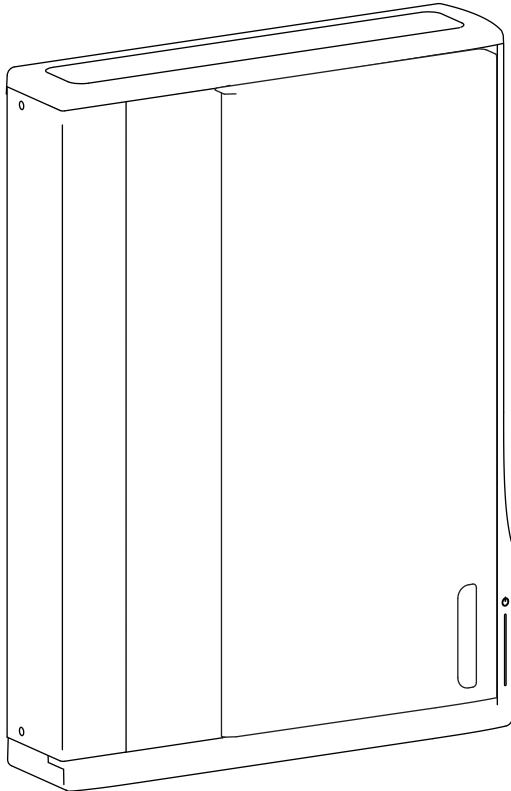


Zip 12 Charging Wall Cabinet



Touchboards

205 Westwood Ave, Long Branch, NJ 07740
Phone: 866-94 BOARDS (26273) / (732)-222-1511
Fax: (732)-222-7088 | E-mail: sales@touchboards.com

Includes Show & Stow™ technology.



For the latest User Installation Guide please visit: www.ergotron.com



User's Guide - English
Guía del usuario - Español
Manuel de l'utilisateur - Français
Gebruikersgids - Deutsch
Benutzerhandbuch - Nederlands
Guida per l'utente - Italiano
Användarhandbok - svenska
ユーザーガイド : 日本語
用戶指南 : 汉语







www.ergotron.com

USA 1-800-888-8458
Europe +31 (0)33-45 45 600
China 400-120-3051

Hazard Symbols Review

These symbols alert users of a safety condition that demands attention. All users should be able to recognize and understand the significance of the following Safety Hazards if encountered on the product or within the documentation. Children who are not able to recognize and respond appropriately to Safety Alerts should not use this product without adult supervision!

Symbol	Signal Word	Level of Hazard
	NOTE	A NOTE indicates important information that helps you make better use of this product.
	CAUTION	A CAUTION indicates either potential damage to hardware or loss of data and tells you how to avoid the problem.
	WARNING	A WARNING indicates either potential for property damage, personal injury, or death.
	ELECTRICAL	An Electrical indicates an impending electrical hazard which, if not avoided, may result in personal injury, fire and/or death.

Safety



WARNING: Because surfaces vary widely and the ultimate mounting method is out of Ergotron's control, it is imperative that you consult with appropriate engineering, architectural or construction professional to ensure that your Ergotron mounting solution is mounted properly to handle applied loads.



CAUTION: Make sure the wall mount bracket is level, flush and snug to the wall surface. **DO NOT OVERTIGHTEN THE BOLTS.**

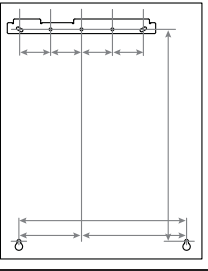
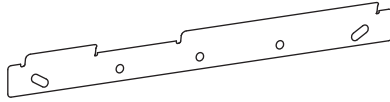
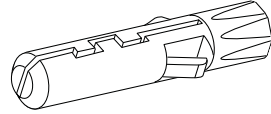


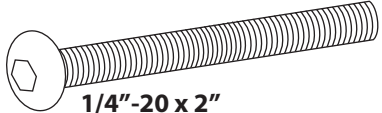
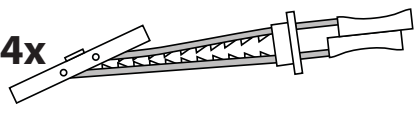

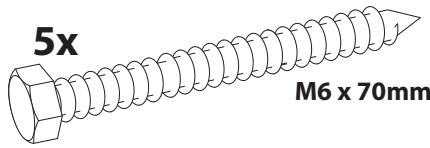


≤ 44.4 lbs. (20.1 kg)

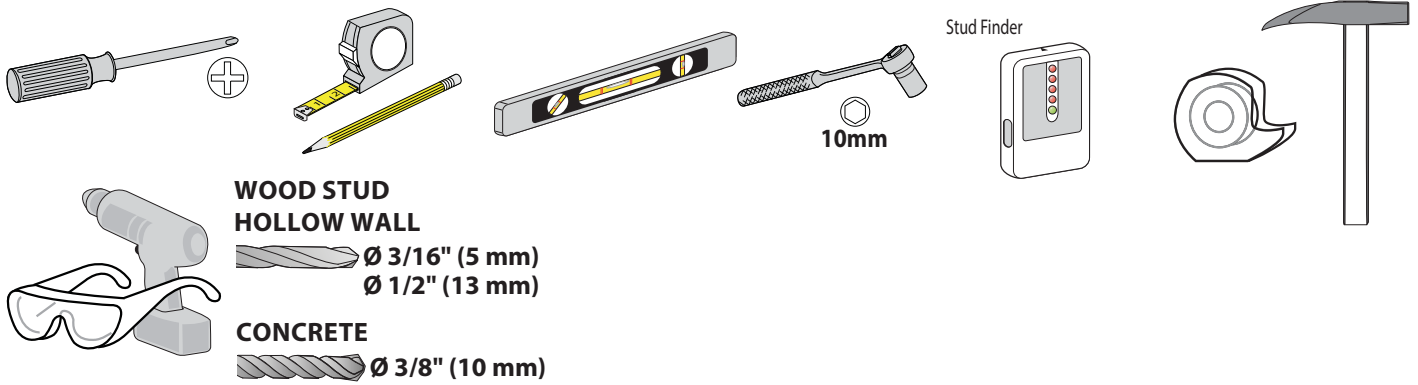
CAUTION: DO NOT EXCEED MAXIMUM LISTED WEIGHT CAPACITY. SERIOUS INJURY OR PROPERTY DAMAGE MAY OCCUR!

Components



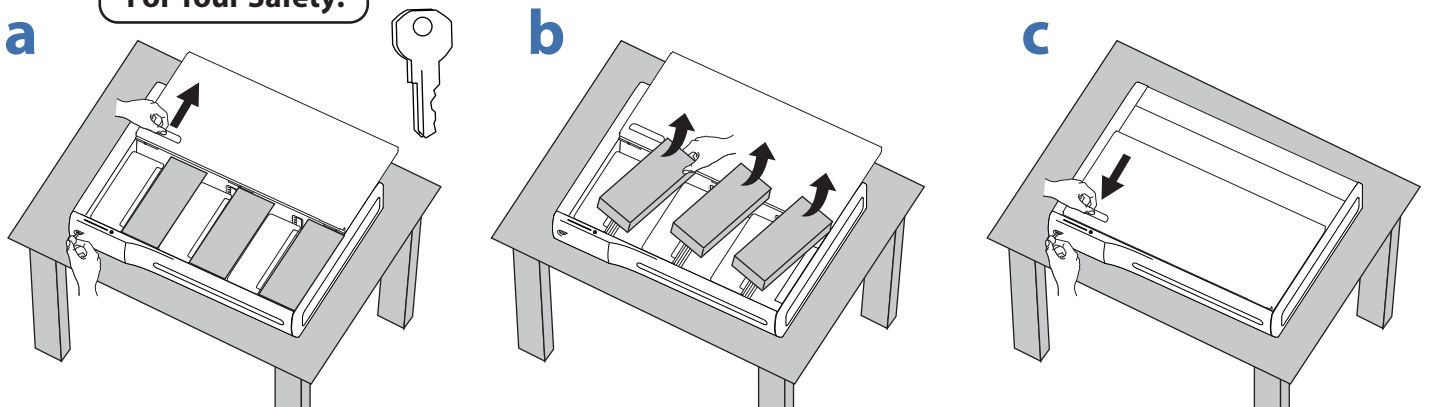
	A	B	C	D
1	1x 	1x 		5x 
2		1x 	2x 	4x 
3	4x 		1x 	5x 

Tools Needed



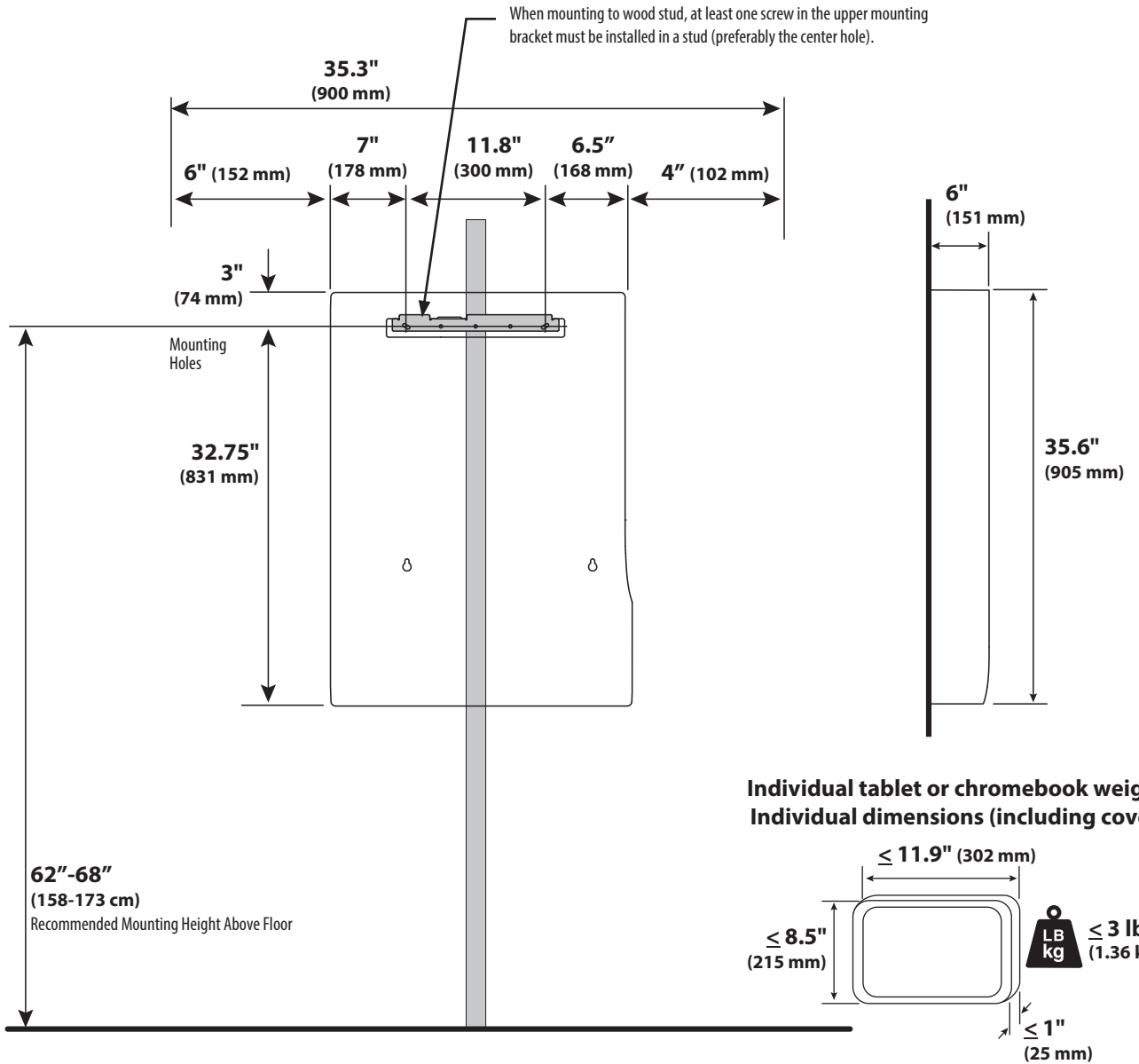
ENGLISH

1 REMOVE INTERNAL PACKAGING



2 MOUNTING CONSIDERATIONS

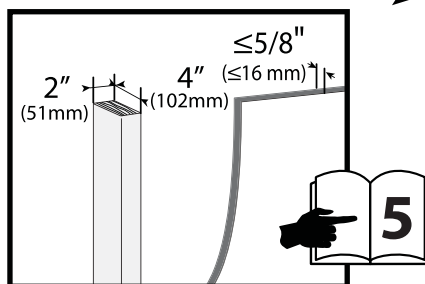
Space Requirements:



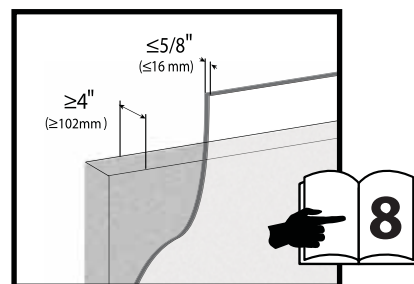
ENGLISH

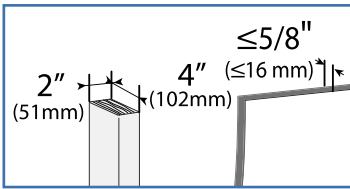
3

WOOD STUD HOLLOW WALL



CONCRETE





WOOD STUD HOLLOW WALL

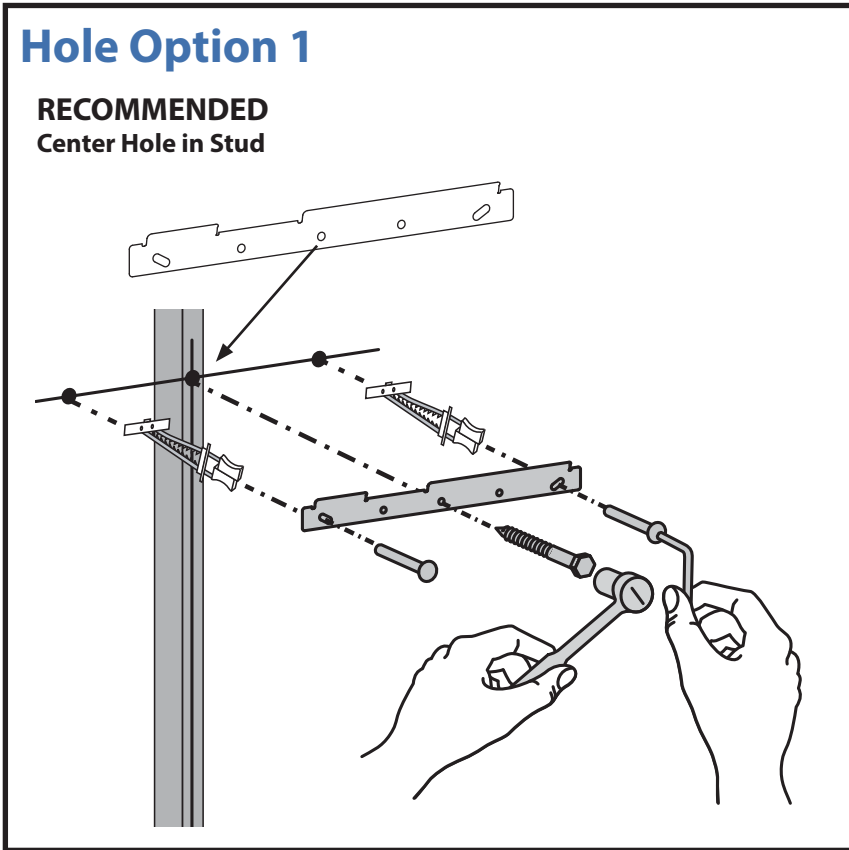
a First Choose a Hole Option:

The stud can be located at one of five mounting holes on the top bracket. While the first option (center hole of bracket) is recommended, you should consult with a construction professional to confirm which method is best suited for your particular situation.

After you decide on a Hole Option, follow attachment instructions on the following page.

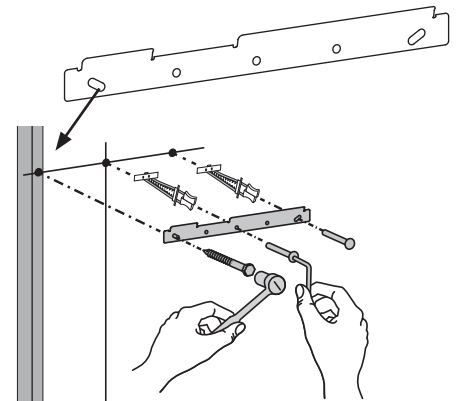
Hole Option 1

RECOMMENDED
Center Hole in Stud



Hole Option 2

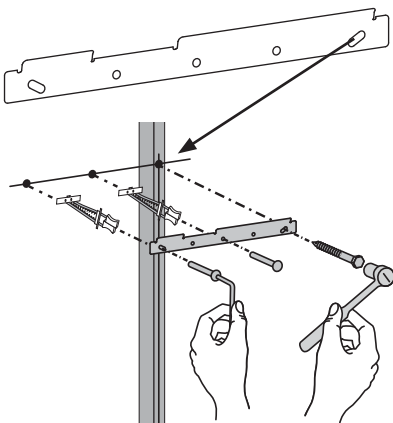
Extreme Left Hole in Stud



ENGLISH

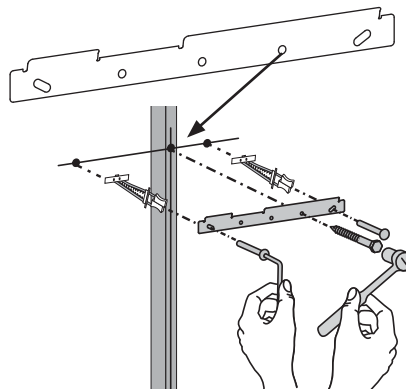
Hole Option 3

Extreme Right Hole in Stud



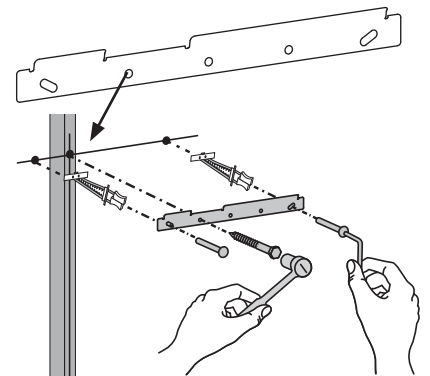
Hole Option 4

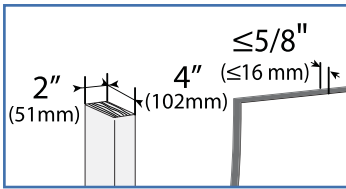
Middle Right Hole in Stud



Hole Option 5

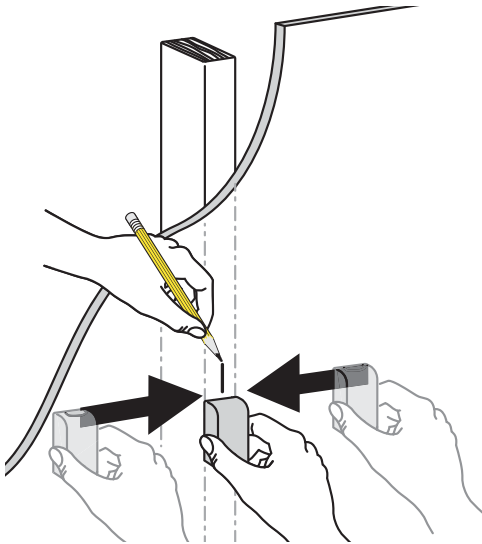
Middle Left Hole in Stud



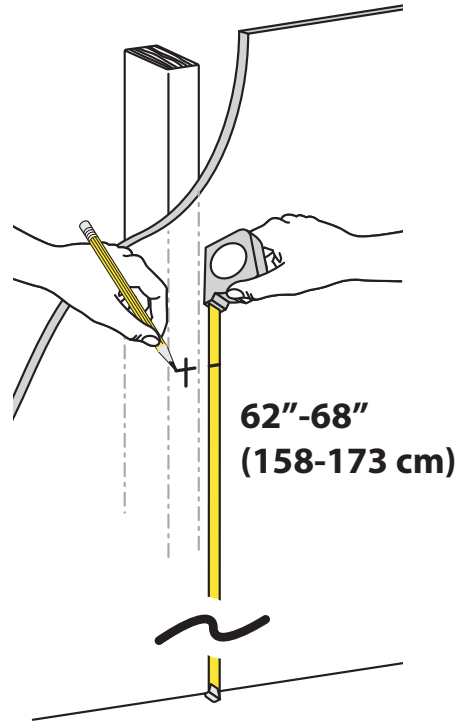


WOOD STUD HOLLOW WALL

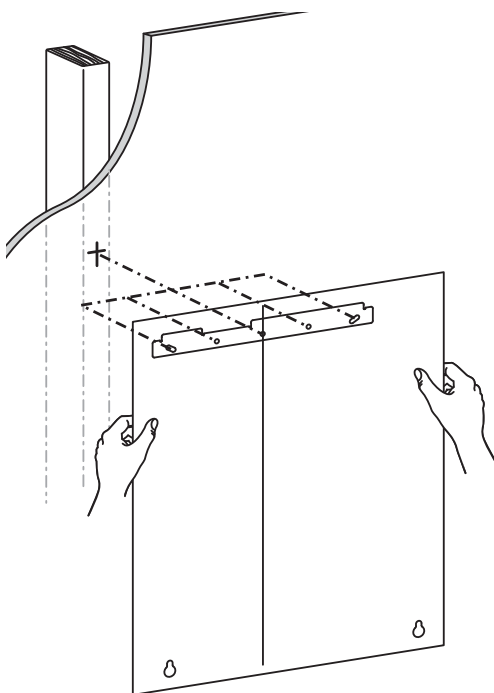
b Find stud and draw a mark.



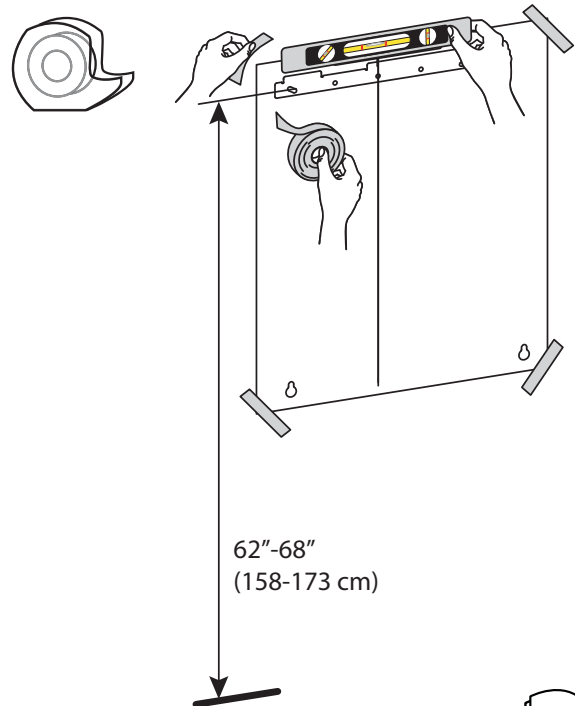
c Put a mark on the stud 62"-68" (158-173 cm) from floor.

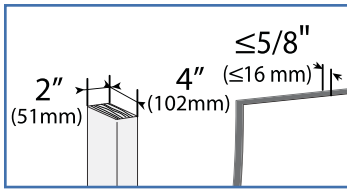


d Place template on wall lining up the chosen hole with the stud and the mark 62"-68" (158-173 cm) from floor.



e Level and secure template to wall.



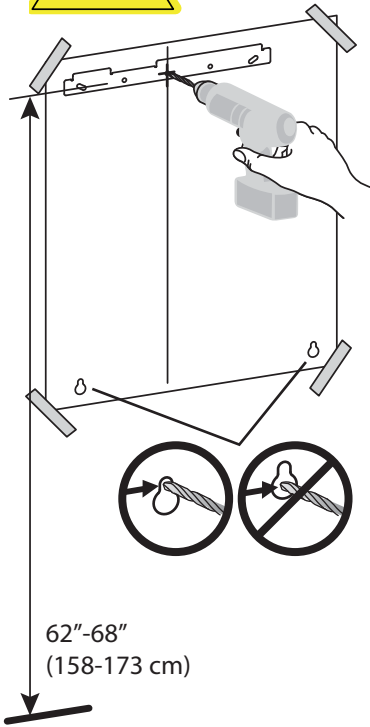


WOOD STUD HOLLOW WALL

- f**
1. Drill the three holes for the top bracket that correspond with the hole option determined on previous page.
 2. Drill the bottom two holes.



NOTE: Use the $\varnothing 3/16"$ (5 mm) drill bit when drilling directly into the wood stud. Use the $\varnothing 1/2"$ (13 mm) drill bit when drilling into the hollow wall for the anchors. Use hollow wall anchors where ever a screw does not get inserted directly into the wood stud.



WOOD STUD

$\varnothing 3/16"$ (5 mm)

10mm

M6 x 70mm

HOLLOW WALL

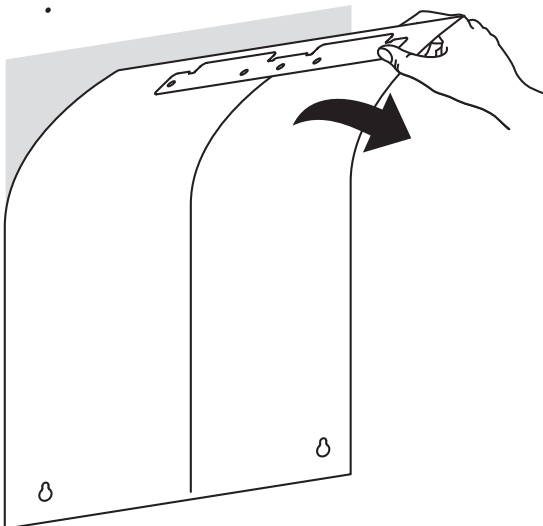
$\varnothing 1/2"$ (13 mm)

1x

5/32"

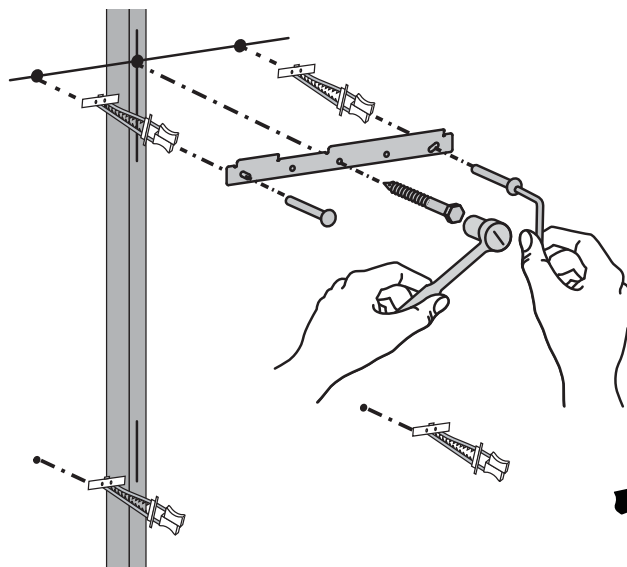
1/4"-20 x 2"

g

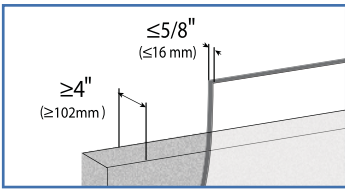


h

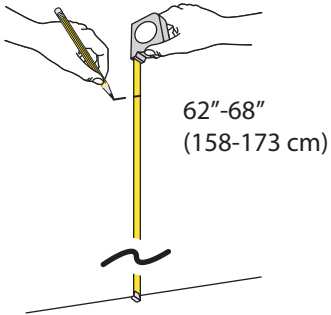
Insert anchors then attach bracket to wall according to the hole option determined on previous page. Verify wall bracket is level before tightening screws.



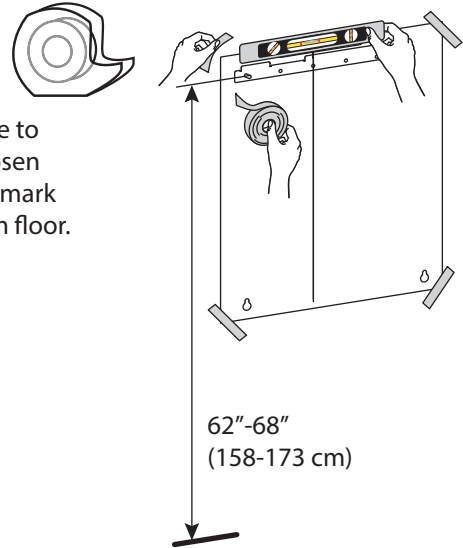
CONCRETE



a Put a mark on the wall 62"-68" (158-173 cm) from floor.

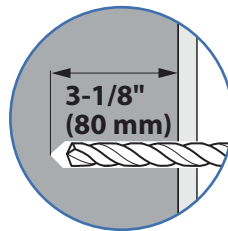
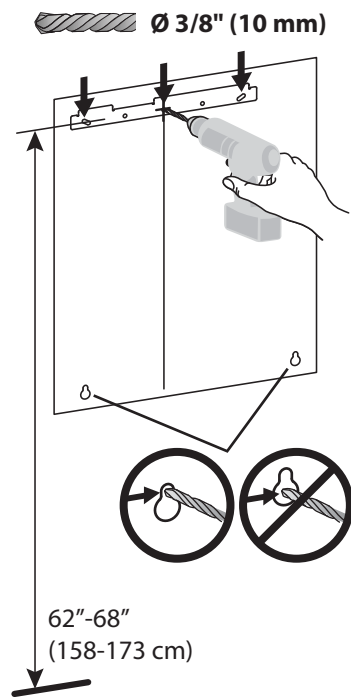
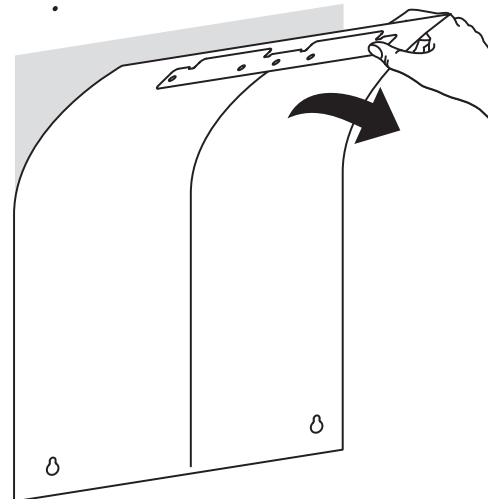


b Level and secure template to the wall lining up the chosen mounting holes with the mark 62"-68" (158-173 cm) from floor.



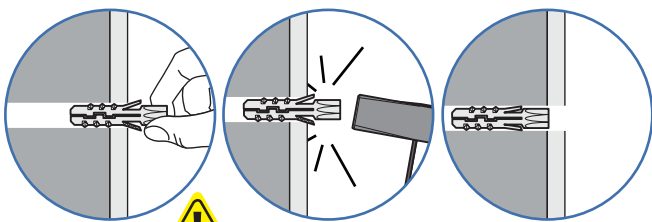
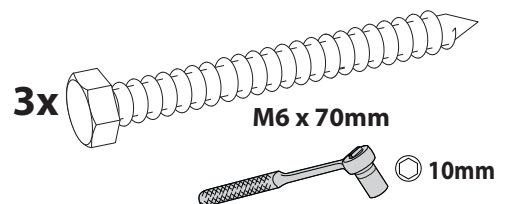
c Drill the top 3 holes, then the bottom two holes.

d

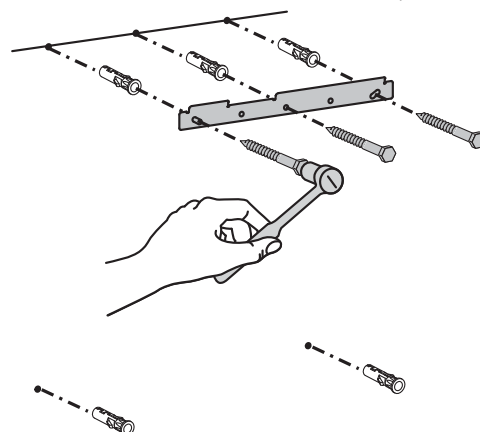
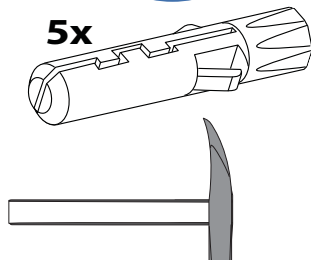


WARNING:
Mounting holes must be at least 3-1/8" (80mm) deep and must be located within solid concrete, not mortar or covering material. If you drill into an area of concrete that is not solid, reposition mounting holes until both anchors can be fully inserted into solid concrete!

e Insert anchors into holes, then attach mounting bracket. Verify wall bracket is level before tightening screws.

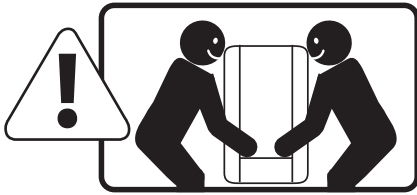


WARNING:
Anchors that are not fully set in solid concrete will not support the applied load resulting in an unstable, unsafe condition which could lead to personal injury and/or property damage. Consult a construction professional if you have any doubt about what this means in regard to your particular situation.

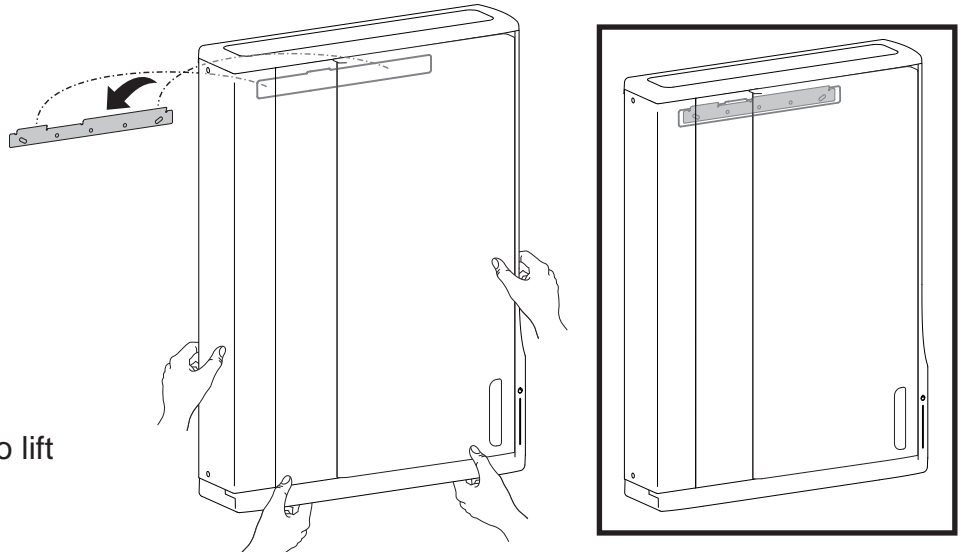


4

Hang unit onto top bracket.

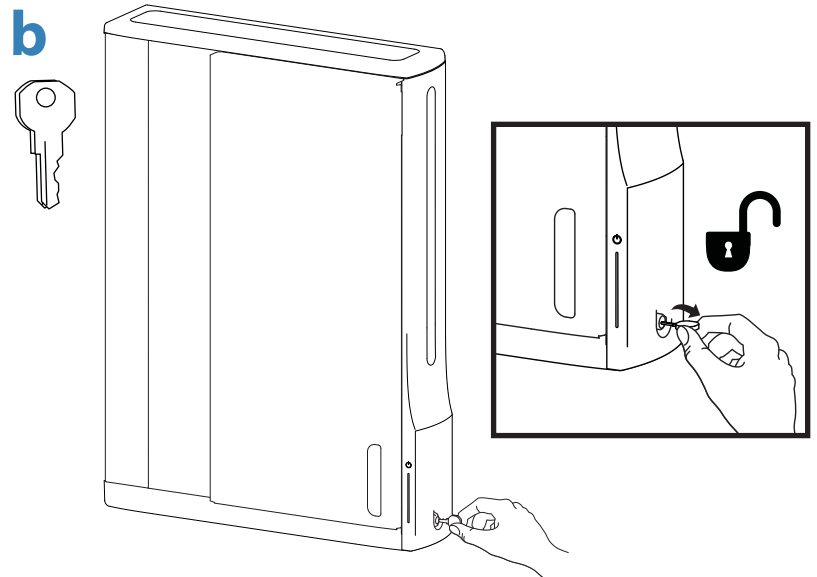
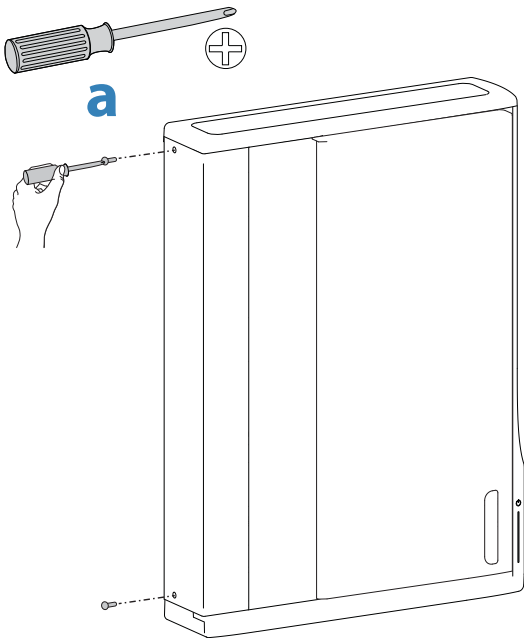


Warning: 2 people are required to lift this product.



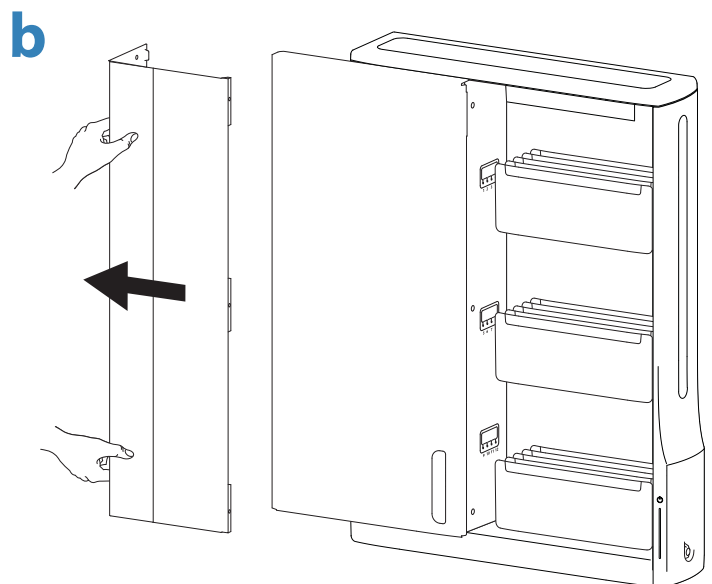
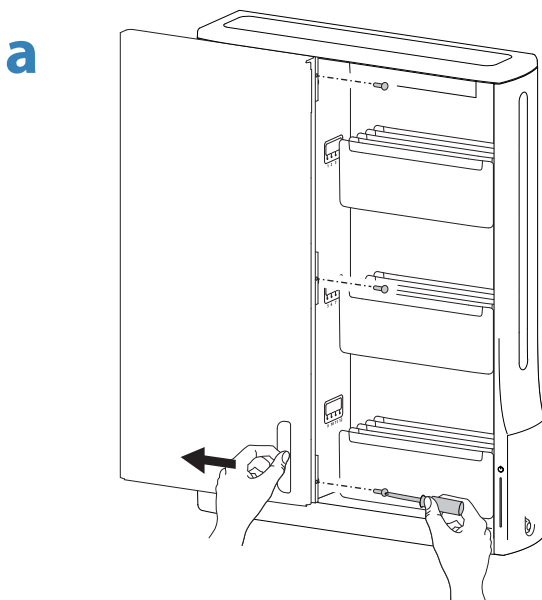
5

a. Remove two screws on left side. Save screws for reattaching cover.
b. Unlock door by turning key 180° clockwise. Open door by turning knob 180° clockwise.



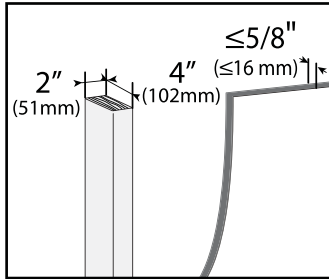
6

a. Open door and remove these 3 screws. Save screws for reattaching cover.
b. Remove left cover

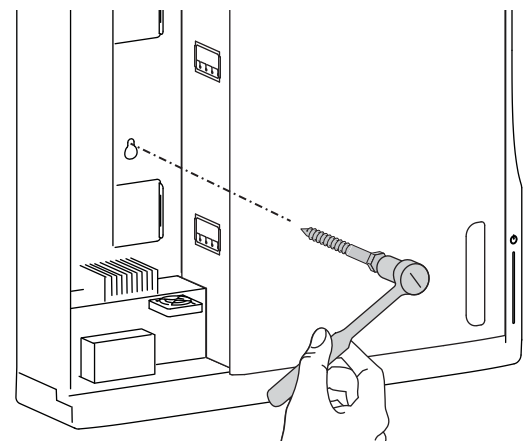
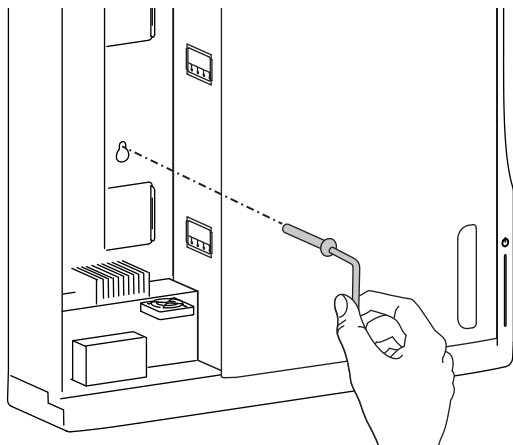
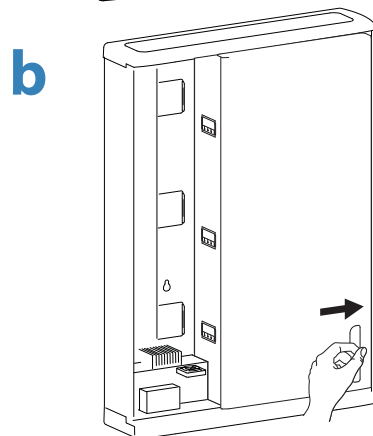
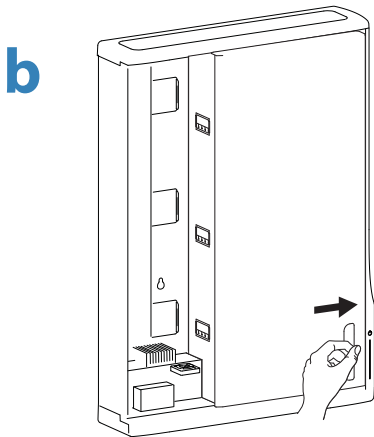
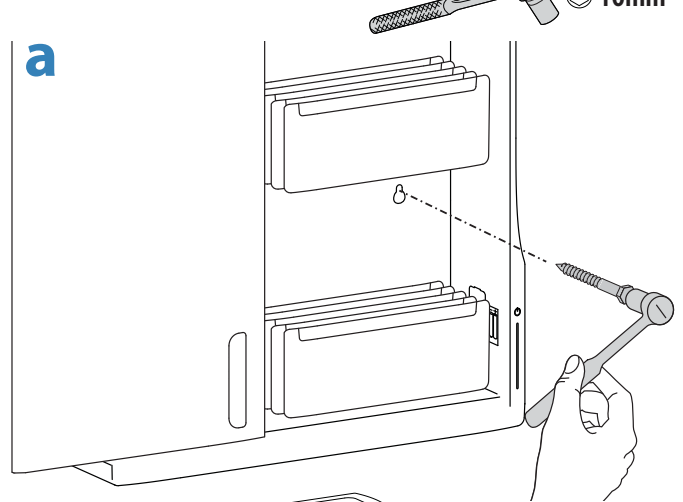
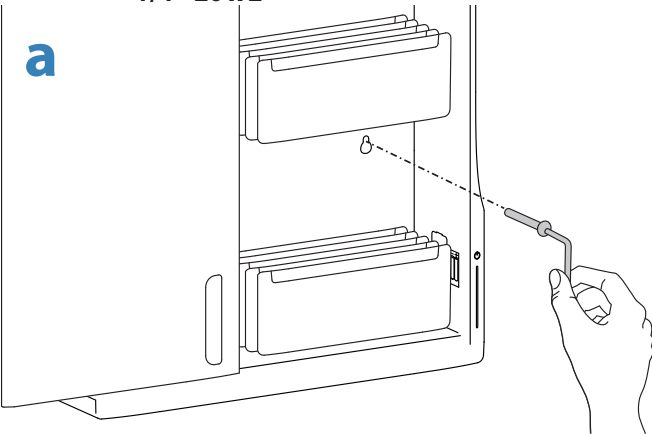
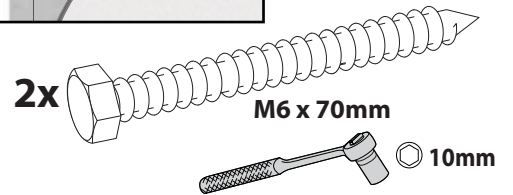
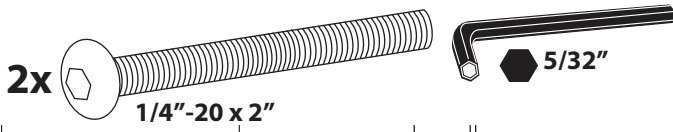
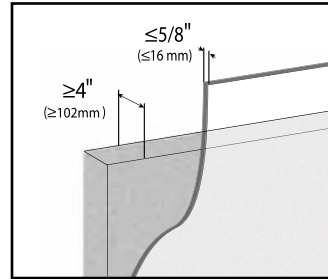


- 7** a. Secure unit to wall by inserting screw through back wall and into bottom right wall anchor.
 b. Close door, then insert screw through back wall and into bottom left wall anchor.

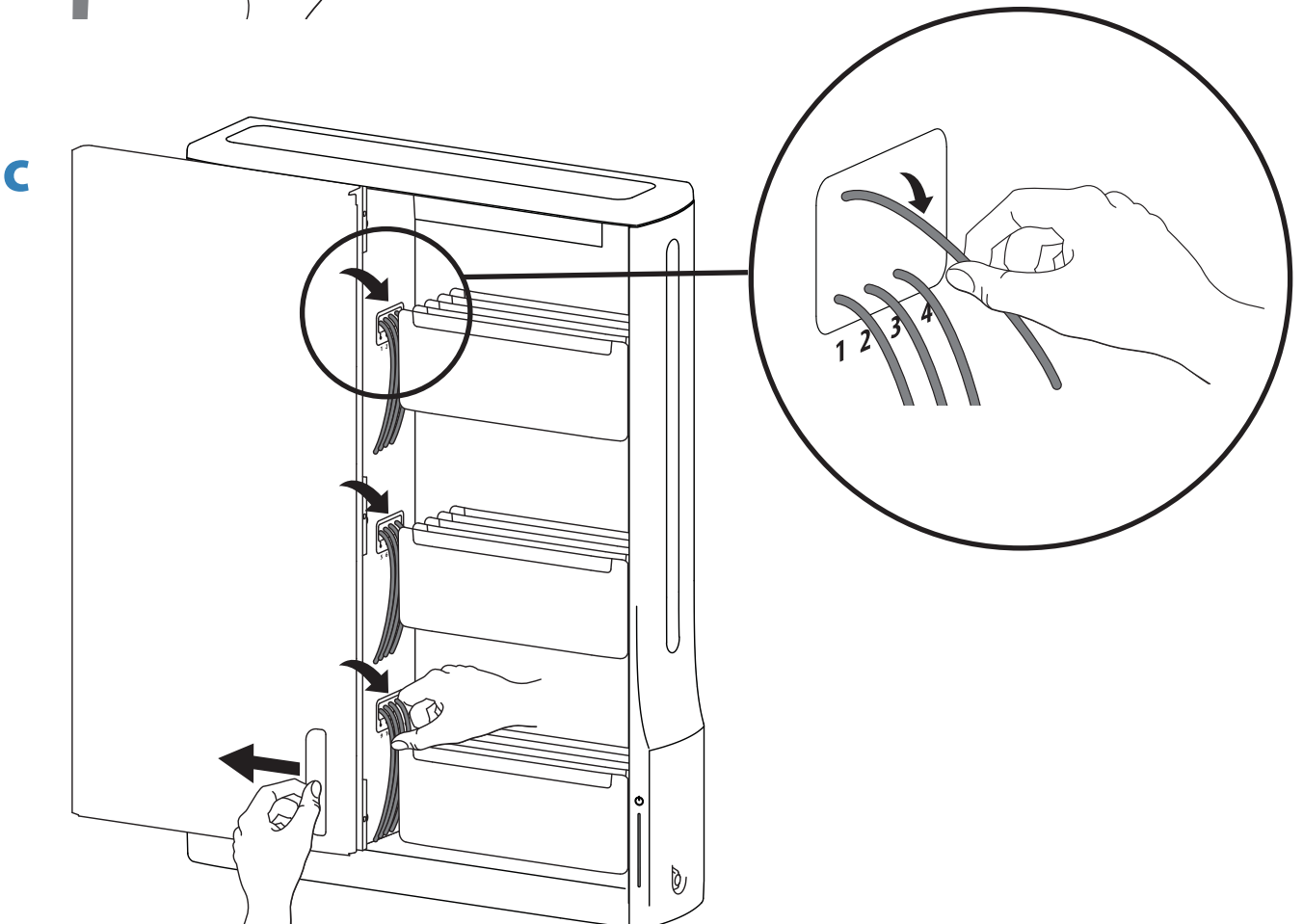
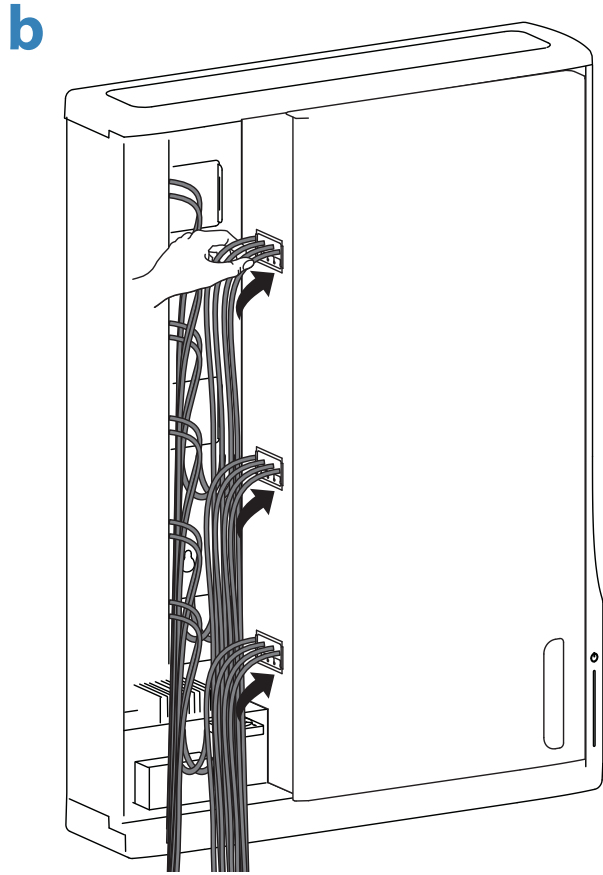
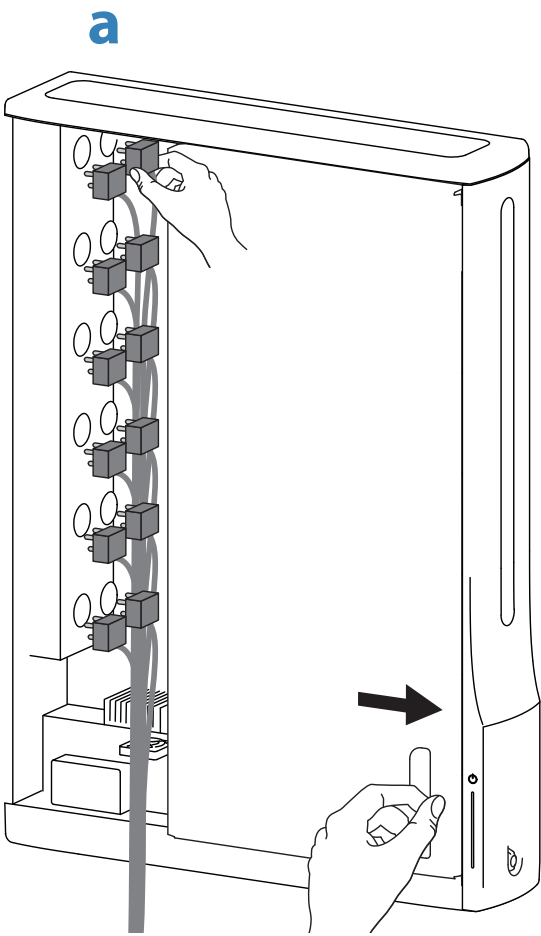
**WOOD STUD
HOLLOW WALL**



CONCRETE



- 8** a. Plug in all the tablet power cables into the outlets inside.
(Customer supplies power cables that come with the devices)
b. Route cables through the access holes.
c. Open door and pull cables through the access holes.

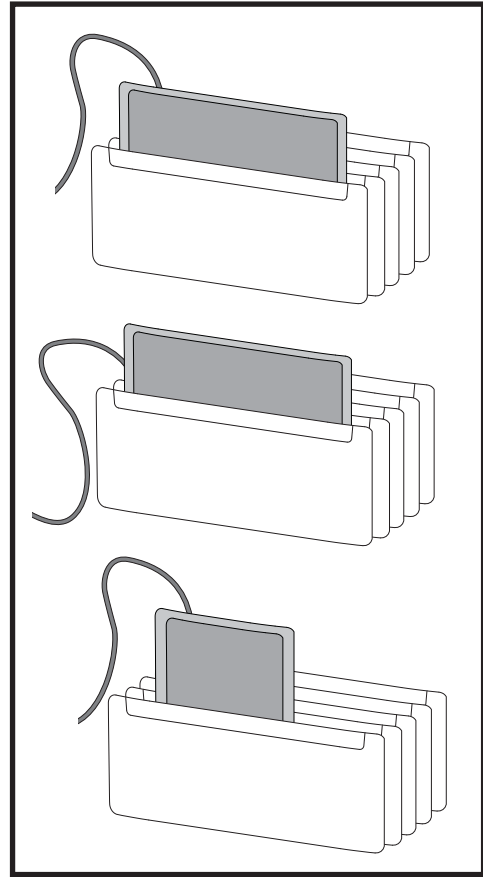
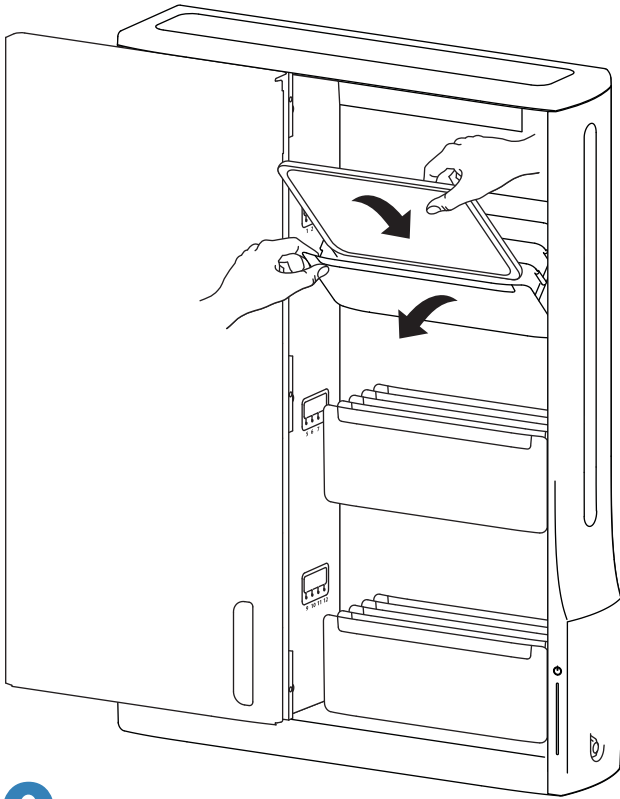


9

Pull out tablet tray and insert tablet.



NOTE: Tablet should be positioned so power plug is at top or left side.



10

a. Slide cable clip off of tablet slot and route cable through clip, then reattach cable clip.

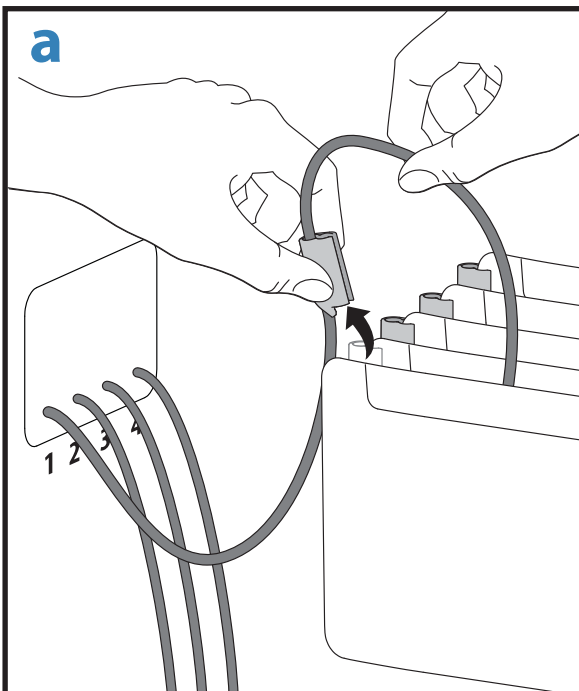


NOTE: Leave enough slack in cable to plug into tablet.

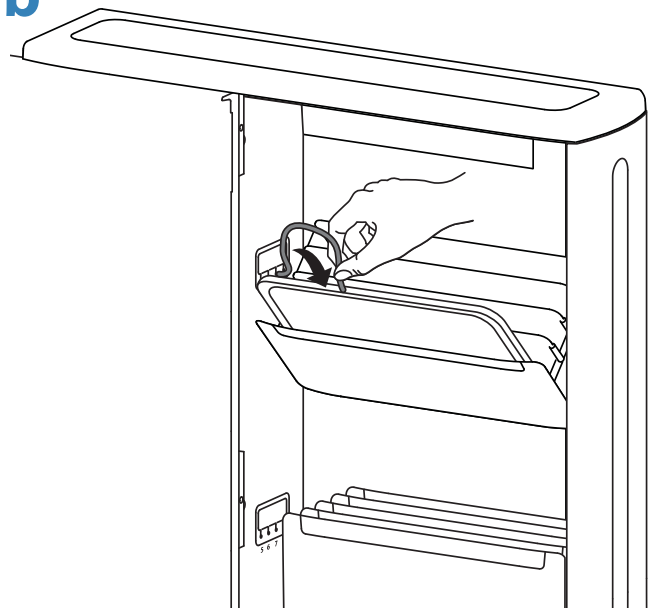
b. Plug tablet cables into tablets.



NOTE: When tablet is removed, store unconnected cable in the appropriate tablet slot.



b

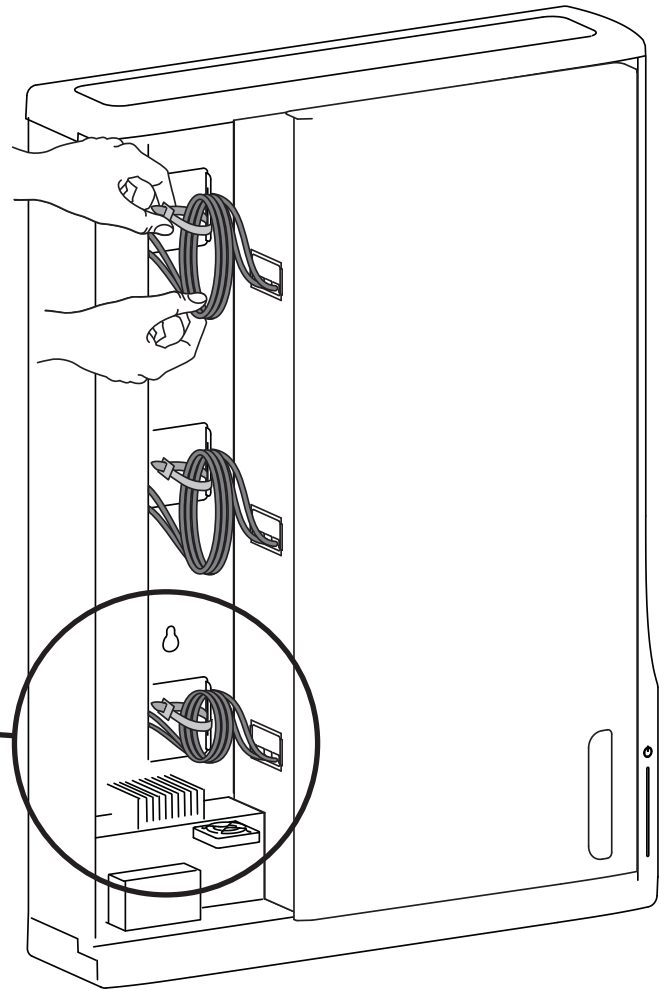


11

Tie up excess cable with velcro cable ties.



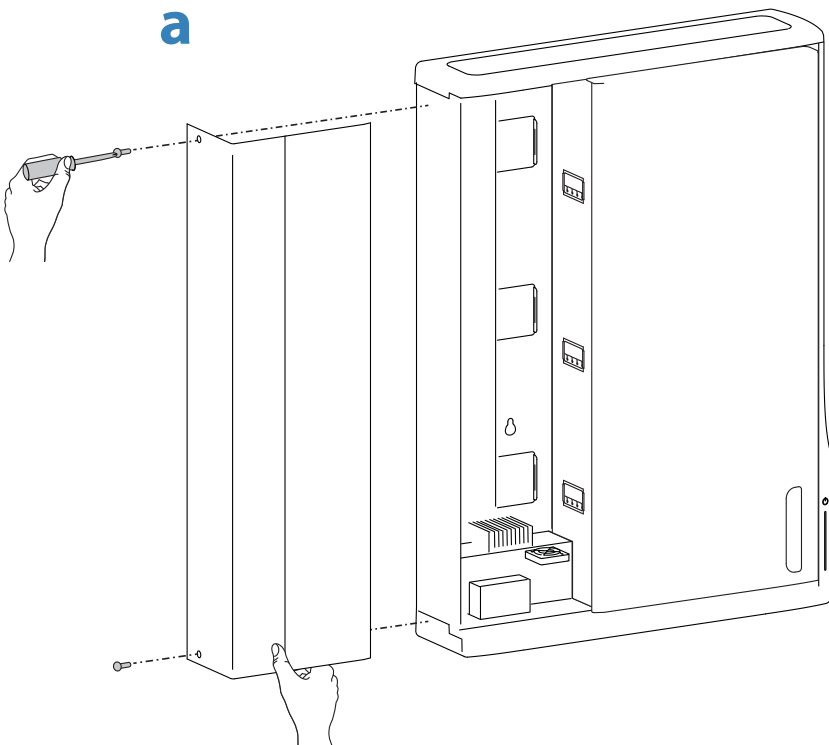
NOTE: Keep cables away from power system components that might get hot during operation.



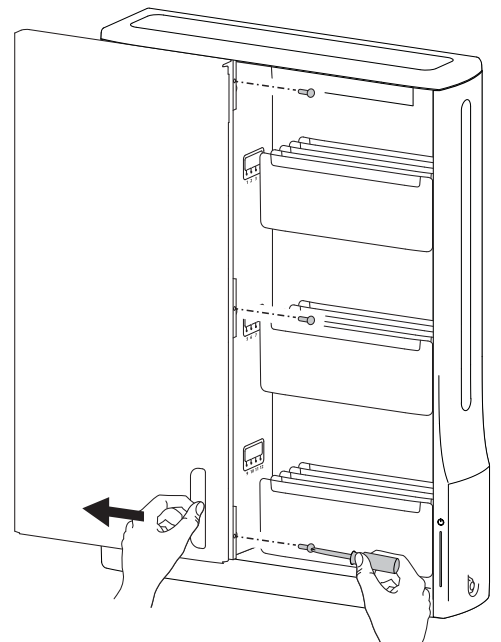
12

- a. Attach left cover with 2 screws saved from removal of cover.
- b. Open door and attach 3 inside screws saved from removal of left cover

a



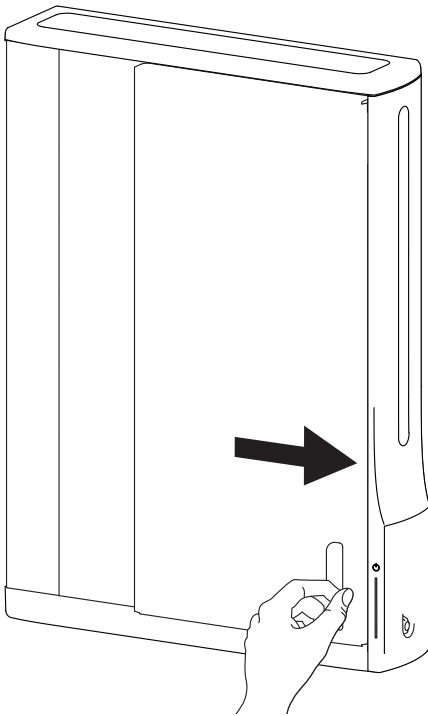
b



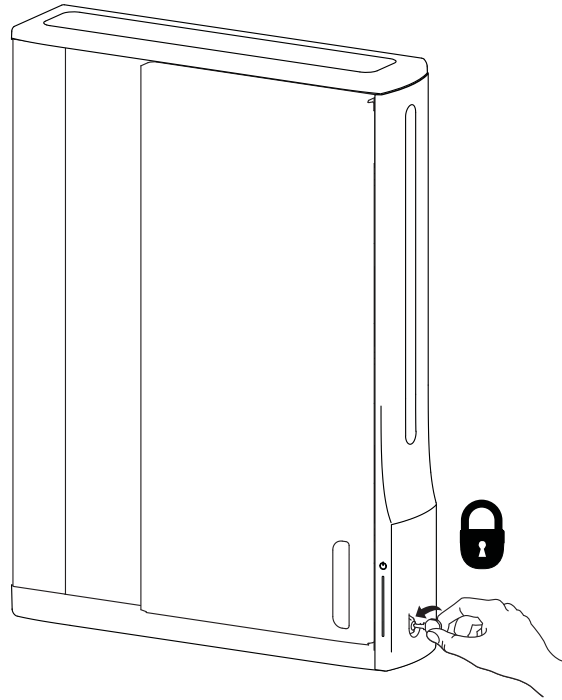
13

- a. Close door and turn lock knob 180° counter clockwise.
- b. Lock door by turning key 180° counterclockwise.

a

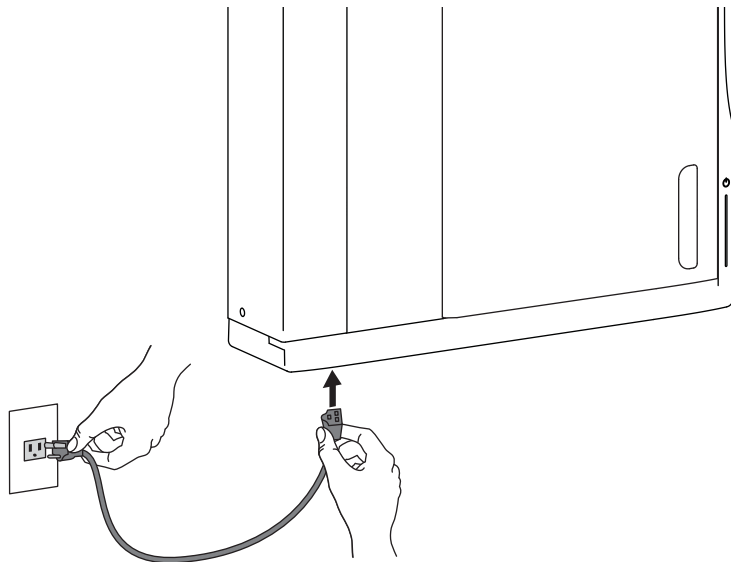


b

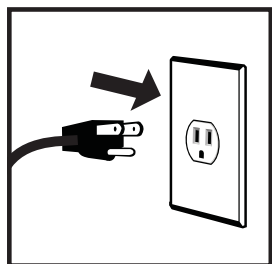
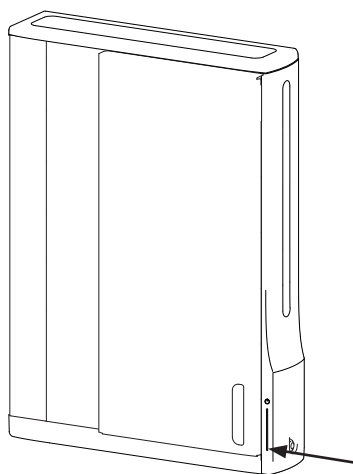


14

Plug power cable into bottom power jack and then into wall outlet to start charging.



Tablet Charging



To begin charging the tablets, plug in the power cord.

The power cord is used to turn the power on and off. Charging occurs whenever the power cord is connected to an outlet.



NOTE: The power cord acts as the connect/disconnect device switching power on and off. The socket outlet shall be installed near the equipment and shall be easily accessible.

 **Power Indicator** – Communicates charge status with the following signals:

Light	Description
Off	No power to the module.
On - solid	Tablets or Chromebooks are charging.

Specifications

Dimensions

26.4"W x 35.6"H x 5.9"D (669 x 905 x 151 mm)

Weight (w/o equipment)

64.5 lbs (29.3 kg)

Rated weight capacity

44.4 lb (20.1 kg)

Maximum tablet or chromebook size

Individual dimensions (including cover):
up to 11.9" H x 8.9" W x 1.0" D (30 x 23 x 2.5 cm)

Individual tablet or chromebook weight:
up to 3 lb (1.4 kg)

Cooling/ventilation

One 12V DC continuous operation fan

Shipping dimensions

40.9" x 28.9" x 8.4" (1040 x 735 x 214 mm)

Shipping weight

77 lb (34.9 kg)

Power system

Part number	Power System
DM12-1006-1	Input: 100-120V~, 12A, 50/60 Hz
DM12-1006-2	Input: 220-240V~, 8A, 50/60 Hz
DM12-1006-3	Input: 220-240V~, 8A, 50/60 Hz
DM12-1006-4	Input: 220-240V~, 8A, 50/60 Hz
DM12-1006-5	Input: 220-240V~, 8A, 50/60 Hz
DM12-1006-6	Input: 100-120V~, 12A, 50/60 Hz

Environmental

Temperature range:
Operating 0° to 30°C (32° to 86°F)
Storage -40° to 60°C (-40° to 140°F)
Relative humidity (maximum):
Operating 10%–90% (non condensing)
Storage 5%–95% (non condensing)
Altitude (maximum): 2000 m (6,562 ft)

Compatibility:

Tablets and chromebooks

Cleaning and Maintenance

Equipment Electric Safety

There are specific risks associated with the use of equipment having power cables. You must be aware of, and avoid these risks when this product is located in close proximity to children.



WARNING: Failure to observe the following Electrical Safety notices can result in fire or death by electric shock.



Electrical cables can be hazardous. Misuse can result in fire or death by electrical shock.

- Double Pole / Neutral Fusing
- Inspect power cables thoroughly before each use.
- Do not use cables that are damaged.
- Insert the plug completely into the outlet.
- Grasp the plug to remove from the outlet.
- Do not unplug by pulling on the cable.
- Do not use excessive force to make connections.
- Do not plug the cable into an extension cable.
- Do not remove, bend or modify any metal prongs or pins of cable.
- Do not drive, drag or place objects over the cable.
- Do not walk on the cable.
- Avoid overheating. Uncoil the cable and do not cover it with any material.
- Do not run cable through doorways, holes in ceilings, walls or floors.



Keep this product away from water.

- Do not use when wet.
- Do not place this product in close proximity to flammable liquids or gases.



This product is intended for use only with loading as indicated. Use with loads greater than indicated may result in instability causing possible injury.



The power cord acts as the connect/disconnect device switching power on and off. The socket outlet shall be installed near the equipment and shall be easily accessible.



CAUTION: Changes or Modifications not expressly approved by Ergotron could void the user's authority to operate the equipment.

Use Safety

There are specific risks associated with the use of this product (for charging or storage). You must be aware of, and avoid these risks when this product is located in close proximity to children.



WARNING: Failure to observe the following Use Safety notices may result in serious personal injury or equipment damage.



Only Adults should use this product.

- Do not allow anyone to climb or hang on this product.
- Do not block the fans and vent openings. To prevent overheating, leave at least 102 mm (4-inch) clearance around fans and vents.

This product is designed to be used indoors only.

- Do not use this product to store equipment other than what has been noted in this guide.
- Do not use this product to store liquids or cleaning supplies.
- Do not place heavy objects on this product.
 - The maximum weight capacity is 44.4 lbs (20.1 kg).



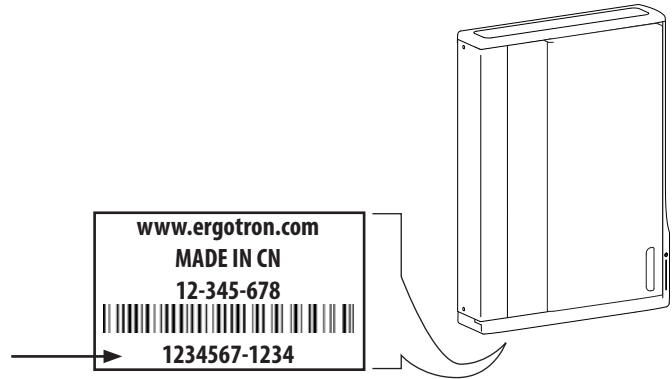
Service and Warranty

For service and warranty visit www.ergotron.com

For local customer care phone numbers visit: <http://contact.ergotron.com>



NOTE: When contacting customer service, reference the serial number.



Touchboards

205 Westwood Ave, Long Branch, NJ 07740
Phone: 866-94 BOARDS (26273) / (732)-222-1511
Fax: (732)-222-7088 | E-mail: sales@touchboards.com

© 2015 Ergotron, Inc. All rights reserved.

ERGOTRON®

While Ergotron, Inc. makes every effort to provide accurate and complete information on the installation and use of its products, it will not be held liable for any editorial errors or omissions (including those made in the process of translation from English to another language), or for incidental, special or consequential damages of any nature resulting from furnishing this instruction and performance of equipment in connection with this instruction. Ergotron, Inc. reserves the right to make changes in the product design and/or product documentation without notification to its users. For the most current product information, or to know if this document is available in languages other than those herein, please contact Ergotron. No part of this publication may be reproduced, stored in a retrieval system, or transmitted in any form or by any means, electronic, mechanical, photocopying, recording or otherwise without the prior written consent of Ergotron, Inc., 1181 Trapp Road, Eagan, Minnesota, 55121, USA Patents Pending and Patented U.S. & Foreign. Ergotron is a registered trademark of Ergotron, Inc.

Americas Sales and Corporate Headquarters

St. Paul, MN USA
(800) 888-8458
+1-651-681-7600
www.ergotron.com
sales@ergotron.com

EMEA Sales

Amersfoort, The Netherlands
+31 33 45 45 600
www.ergotron.com
info.eu@ergotron.com

APAC Sales

Tokyo, Japan
www.ergotron.com
apaccustomerservice@ergotron.com

Worldwide OEM Sales

www.ergotron.com
info.oem@ergotron.com