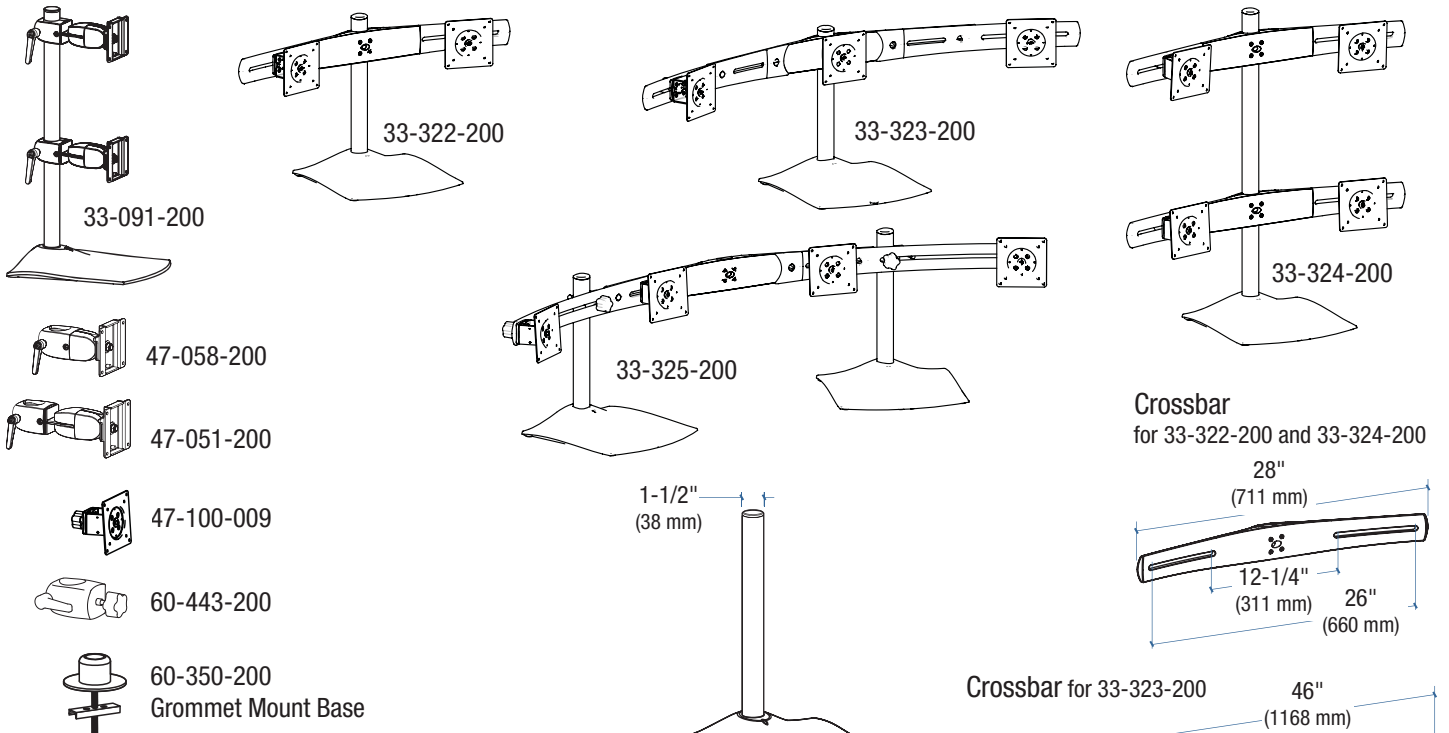


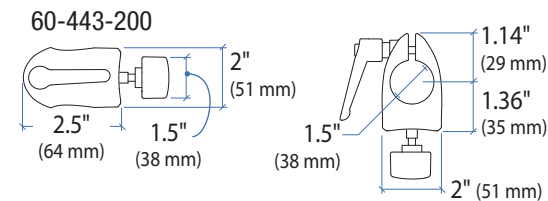
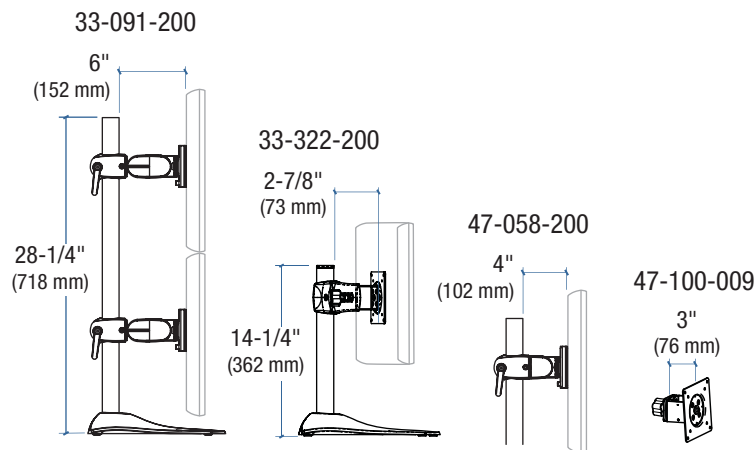
Ergotron® DS100 Series

Dimensional Illustrations

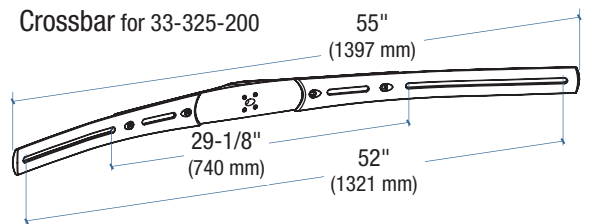
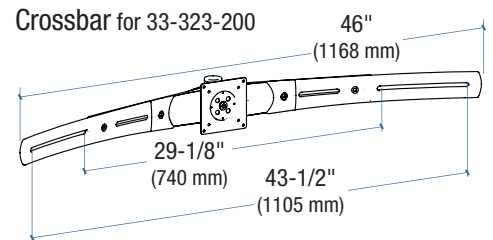
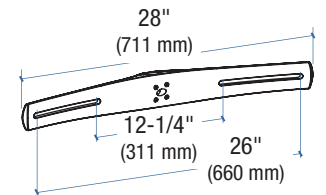
Dual, Triple, and Quad Desk Stands



Attaches to openings in worksurface from 3/8–3" in diameter (10 to 76 mm) and up to 3-1/4" (83 mm) thick.



Crossbar
for 33-322-200 and 33-324-200



Attention: Listed allowable widths assume monitor thickness is 4" (102 mm). If monitor thickness is less, allowable width may be more. Contact Ergotron for details.

Available Monitor Widths Using Crossbars

Number of Monitors (Horizontal Crossbar)	Allowable Monitor Width*
Dual-Monitor (28" Crossbar)	23-1/4" (590 mm)
Triple-Monitor (46" Crossbar)	20" (508 mm)
Triple-Monitor (55" Crossbar)	24.5" (622 mm)
Quad-Monitor (55" Crossbar)	16" (406 mm)

© 2010 Ergotron, Inc. rev. 05/20/2010 DIM-030 Content is subject to change without notification

Americas Sales and Corporate Headquarters

St. Paul, MN USA
(800) 888-8458
+1-651-681-7600
www.ergotron.com
sales@ergotron.com

EMEA Sales

Amersfoort, The Netherlands
+31 33 45 45 600
www.ergotron.com
info.eu@ergotron.com

APAC Sale

Tokyo, Japan
www.ergotron.com
apaccustomerservice@ergotron.com

Worldwide OEM Sales

www.ergotron.com
info.oem@ergotron.com

