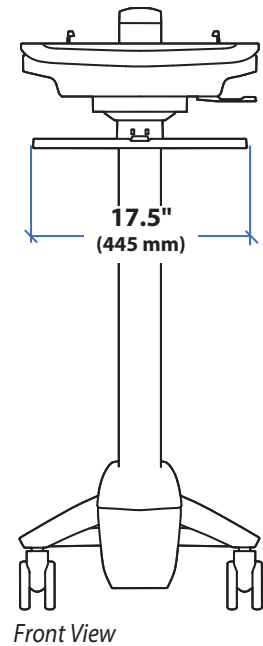
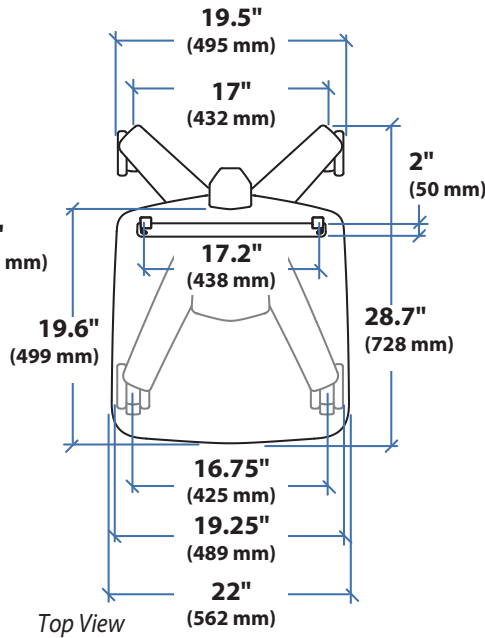
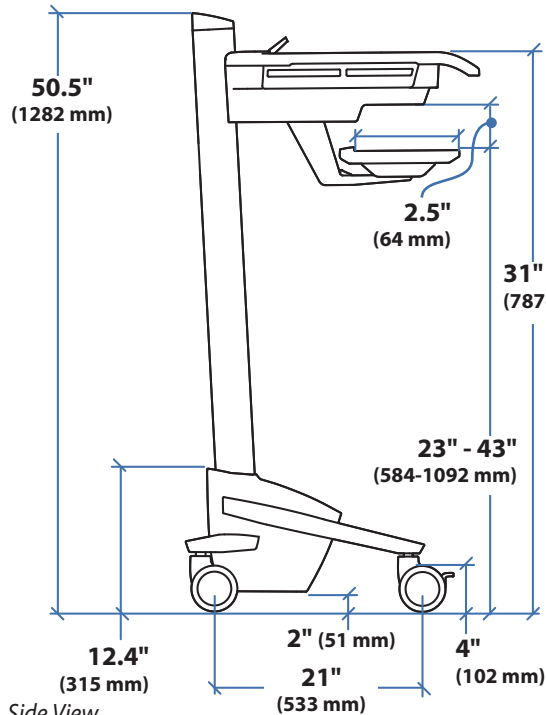
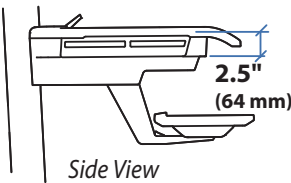
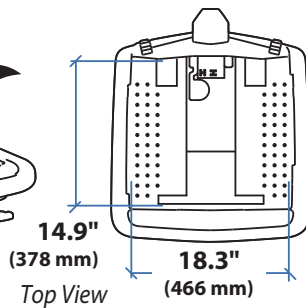
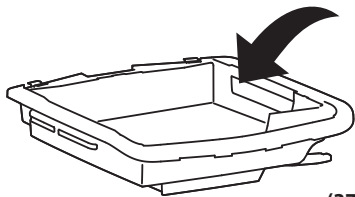


Dimensions

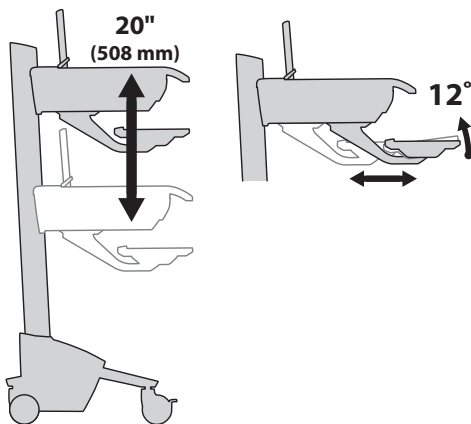


Laptop Compartment



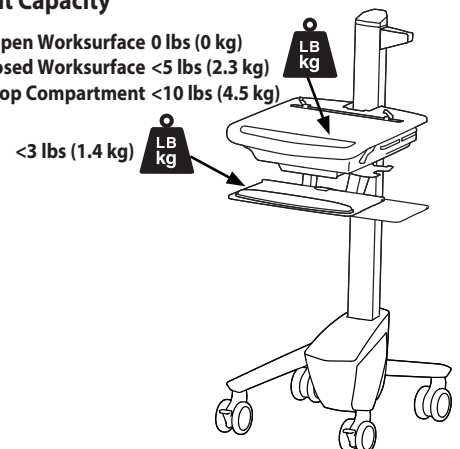
When figuring dimensions, include mounted accessories, protruding cables and port replicators or docking stations.

Range of Motion

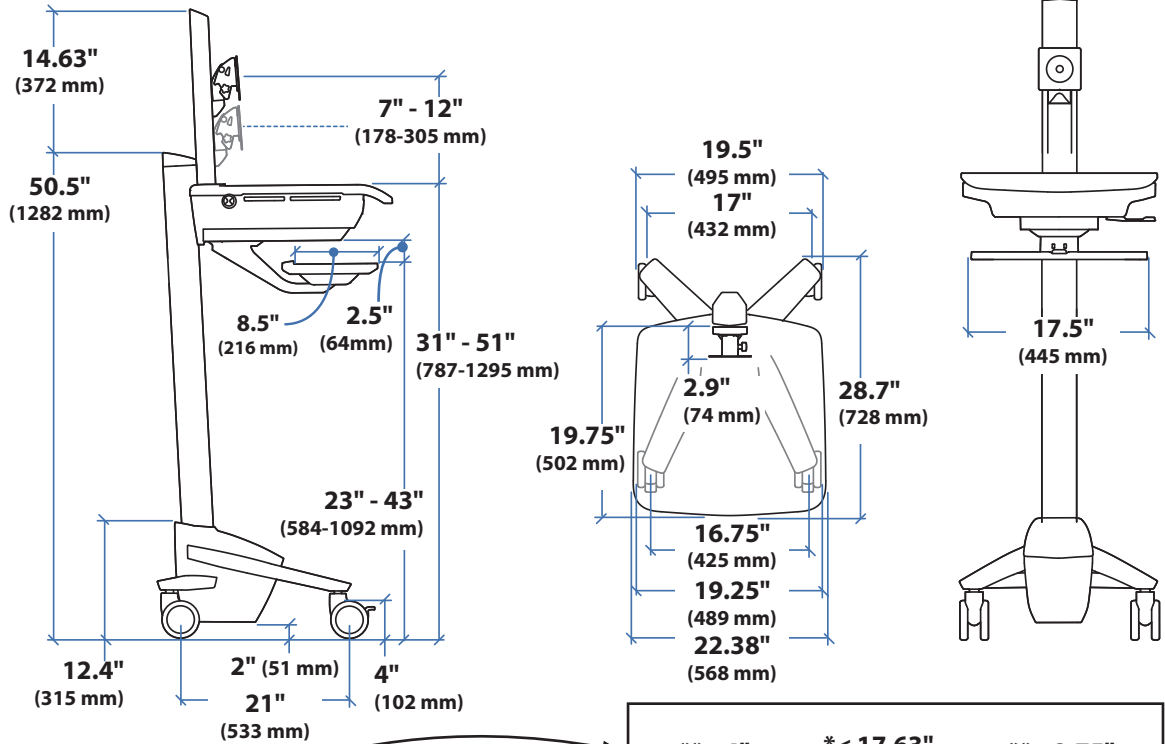


Weight Capacity

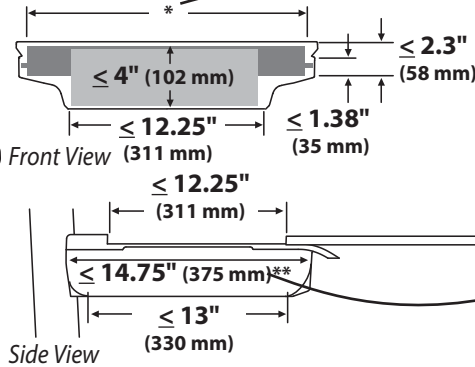
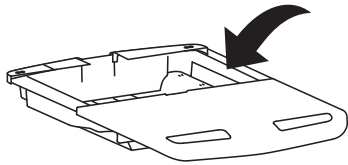
- Open Worksurface 0 lbs (0 kg)
- Closed Worksurface <5 lbs (2.3 kg)
- Laptop Compartment <10 lbs (4.5 kg)



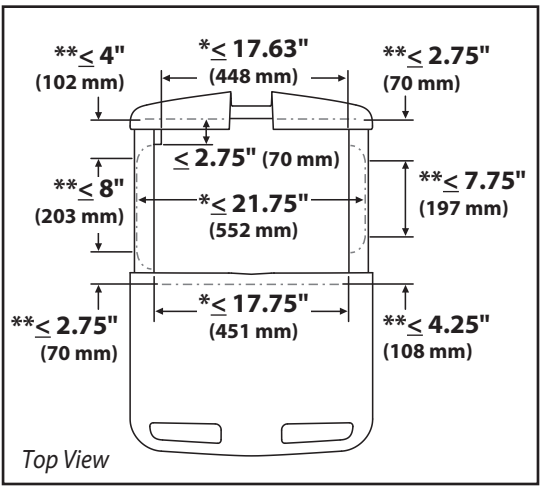
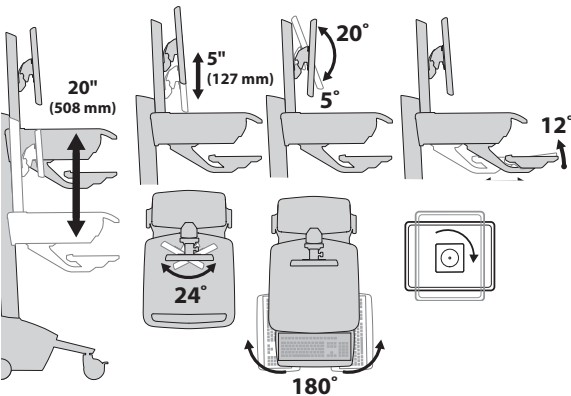
Dimensions



CPU Compartment



When figuring dimensions, include mounted accessories, protruding cables and port replicators or docking stations.

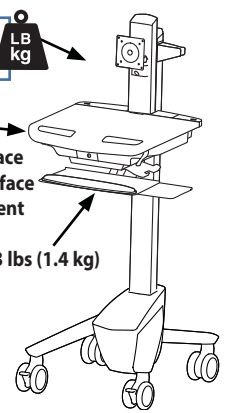


Weight Capacity

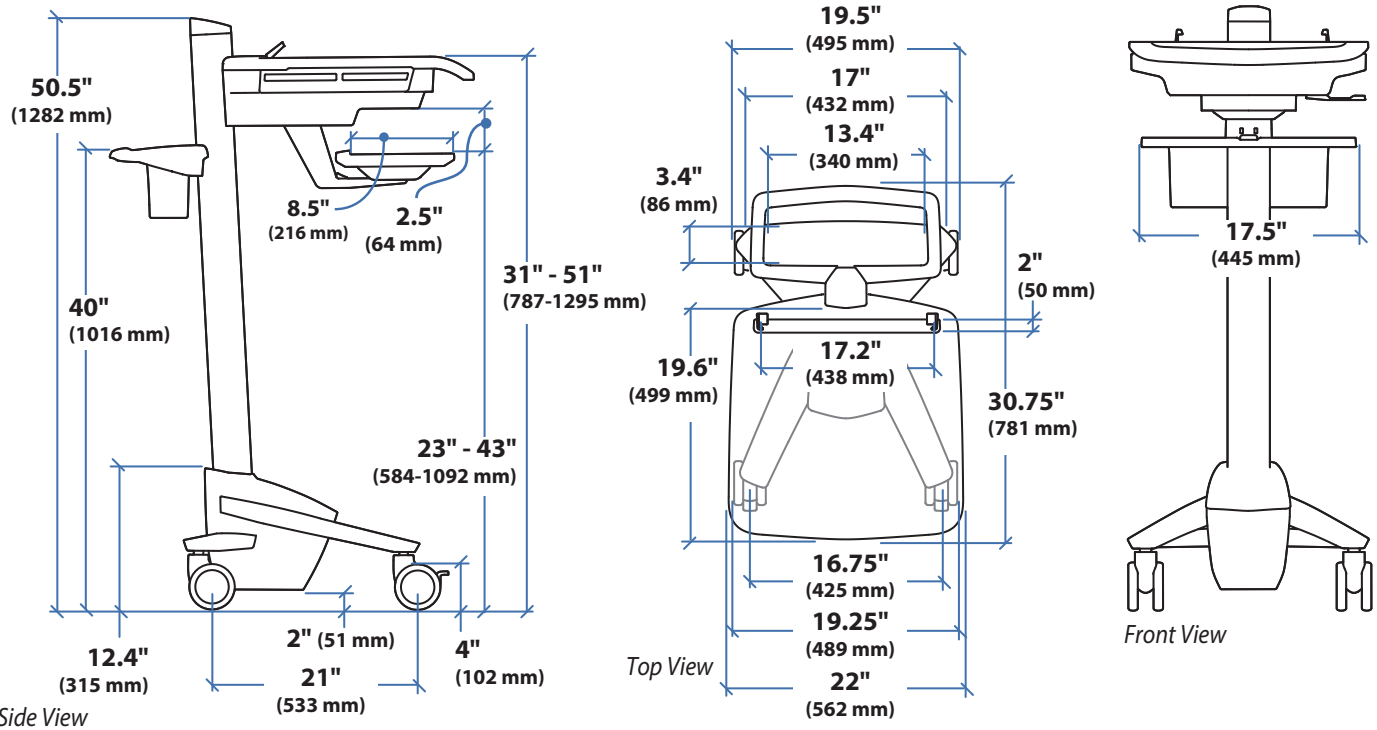
With Independent LCD Lift:	Without Independent LCD Lift:
<14 lbs (6.4 kg)	20 lbs (9 kg)

- 0 lbs (0 kg) Open Worksurface
- <5 lbs (2.3 kg) Closed Worksurface
- <13 lbs (5.9 kg) CPU Compartment

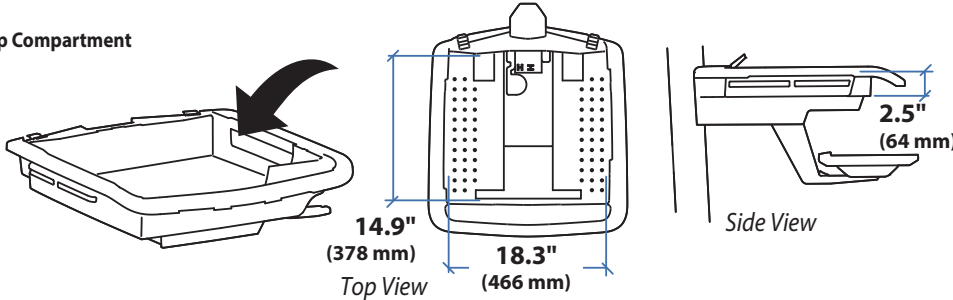
Combined LCD and CPU Compartment weight: <27 lbs (12.2 kg). If the combined LCD and CPU weight is greater than 27 lbs (12.2 kg) then the CPU must be mounted to the rear of the cart using the Universal CPU Holder accessory (ordered separately).



Dimensions

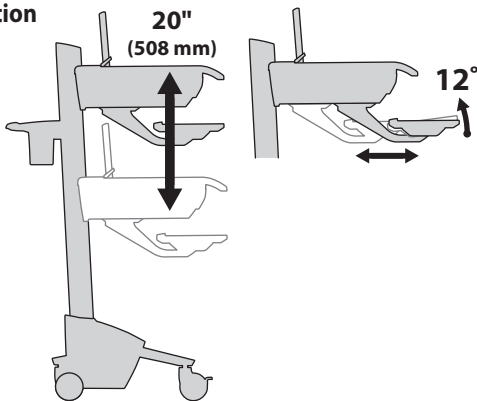


Laptop Compartment



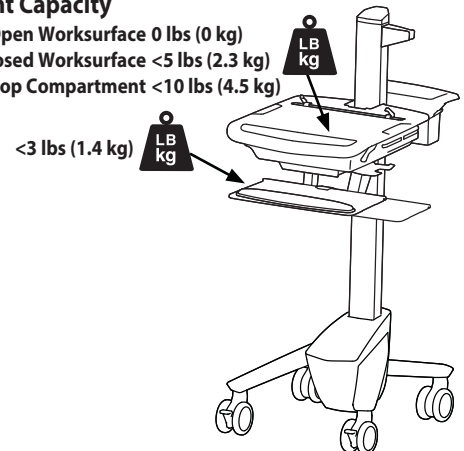
When figuring dimensions, include mounted accessories, protruding cables and port replicators or docking stations.

Range of Motion

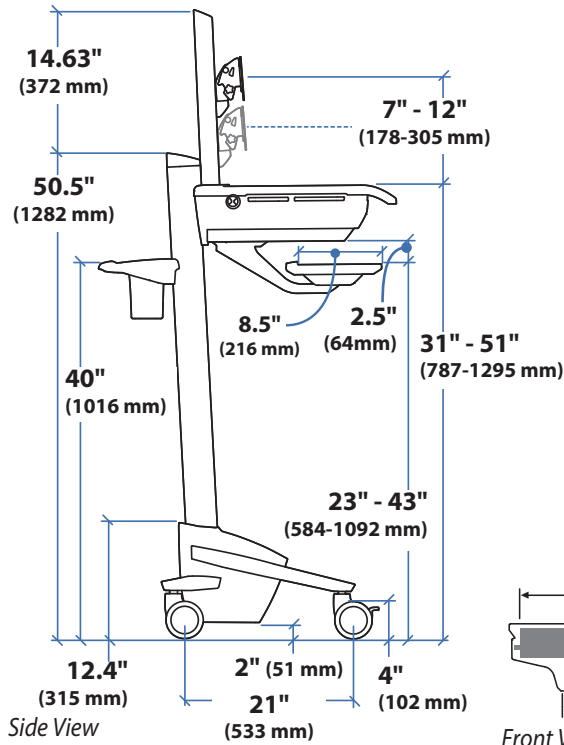


Weight Capacity

- Open Worksurface 0 lbs (0 kg)
- Closed Worksurface <5 lbs (2.3 kg)
- Laptop Compartment <10 lbs (4.5 kg)

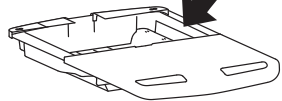


Dimensions



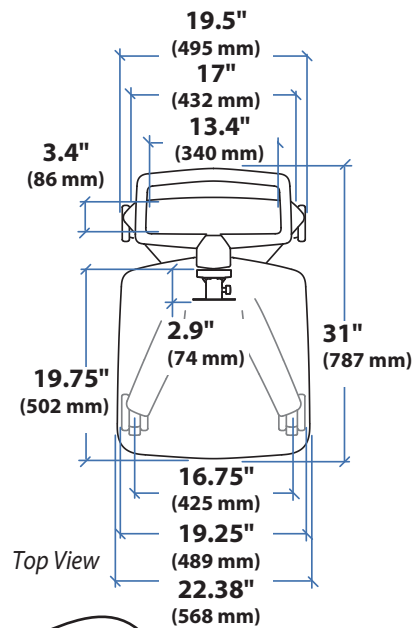
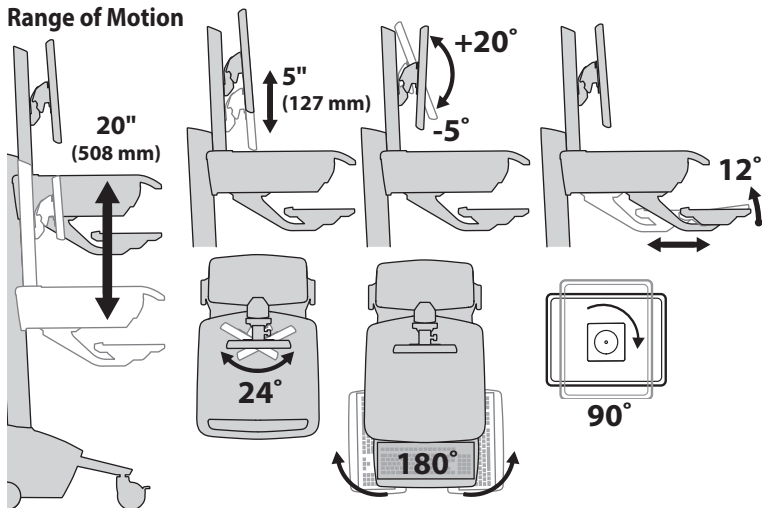
Side View

CPU Compartment

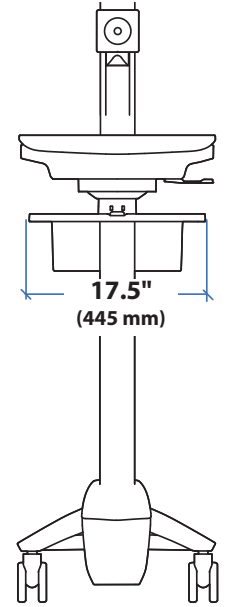


When figuring dimensions, include mounted accessories, protruding cables and port replicators or docking stations.

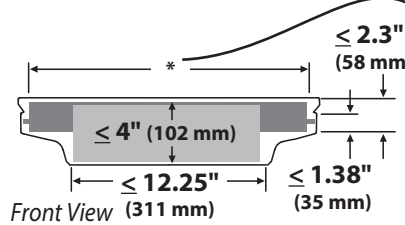
Range of Motion



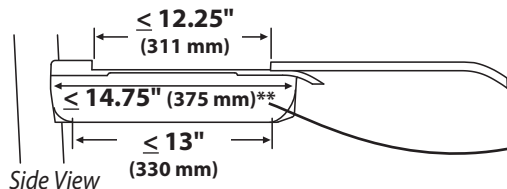
Top View



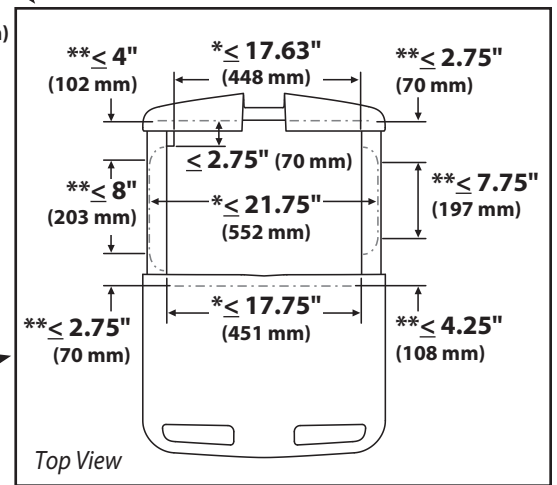
Front View



Front View



Side View



Top View

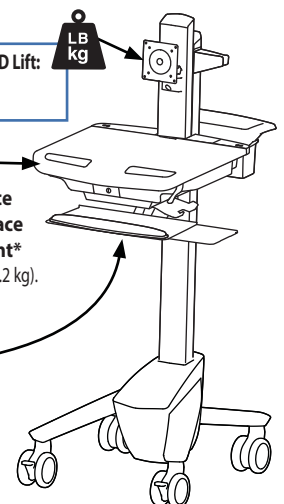
Weight Capacity

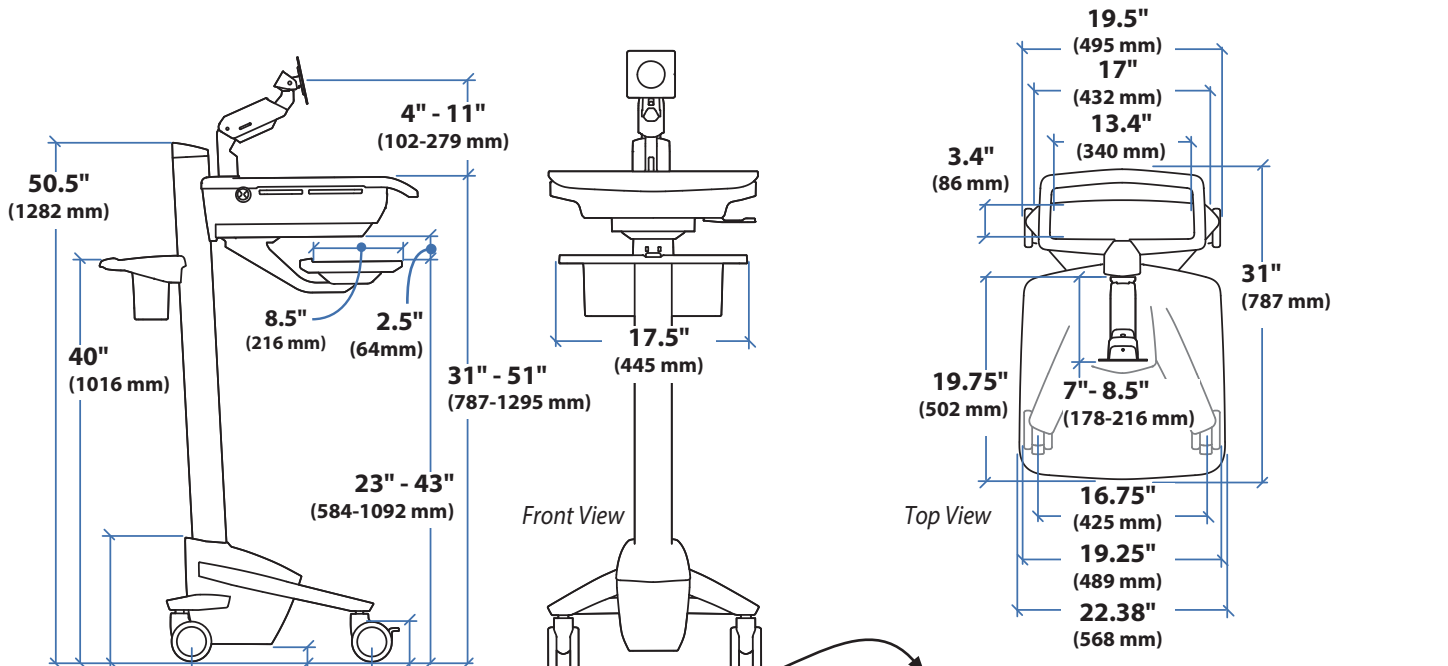
With Independent LCD Lift: <math>< 14</math> lbs (6.4 kg)
Without Independent LCD Lift: 20 lbs (9 kg)

0 lbs (0 kg) Open Worksurface
<math>< 5</math> lbs (2.3 kg) Closed Worksurface
<math>< 13</math> lbs (5.9 kg) CPU Compartment*

*Combined LCD and CPU Compartment weight: <math>< 27</math> lbs (12.2 kg).

<math>< 3</math> lbs (1.4 kg)

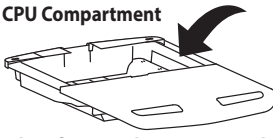




Side View

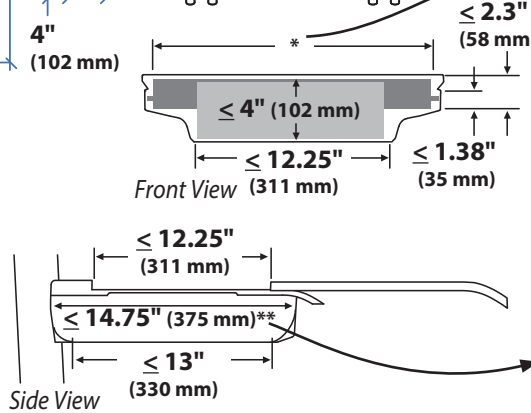
Front View

Top View



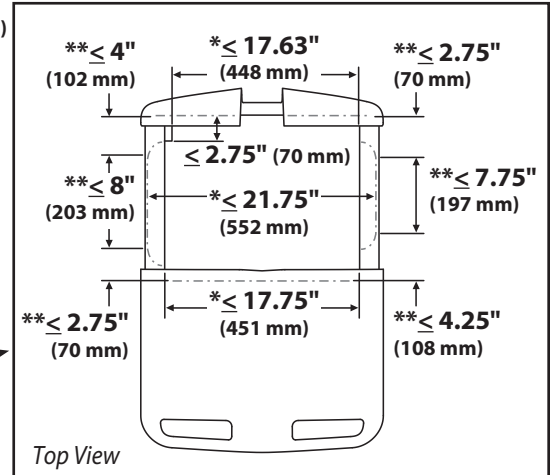
CPU Compartment

When figuring dimensions, include mounted accessories, protruding cables and port replicators or docking stations.



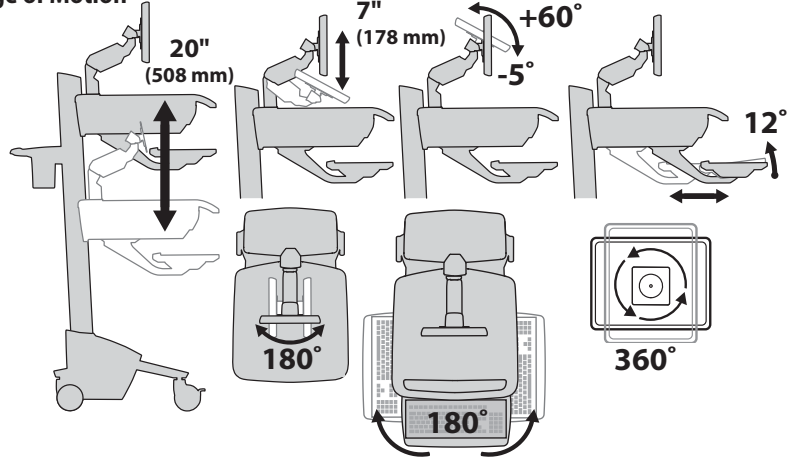
Front View

Side View

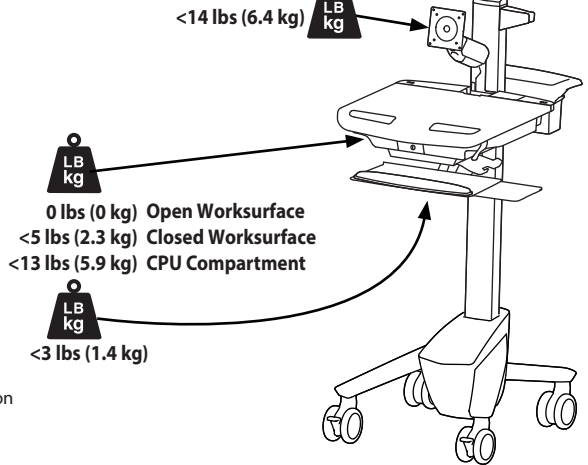


Top View

Range of Motion



Weight Capacity



© 2014 Ergotron, Inc. rev. 05/15/2019 DIM-SV4X-EMR-NORO Content is subject to change without notification

Americas Sales and Corporate Headquarter EMEA Sales APAC Sales Worldwide OEM Sales

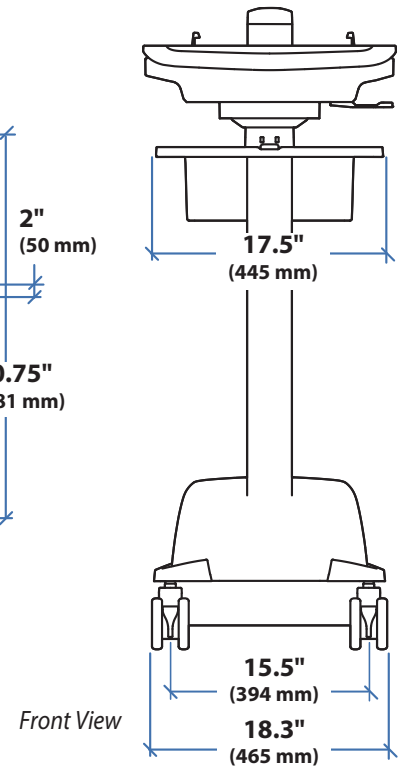
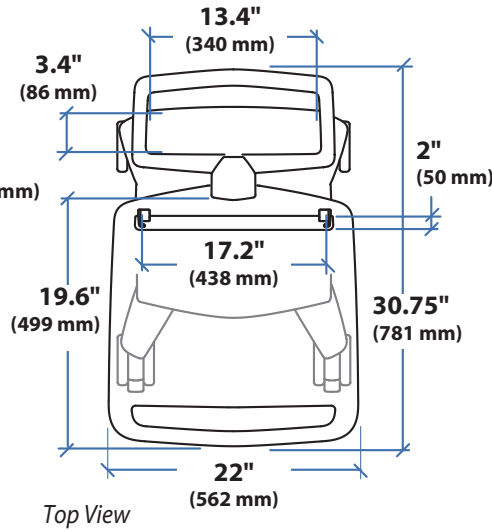
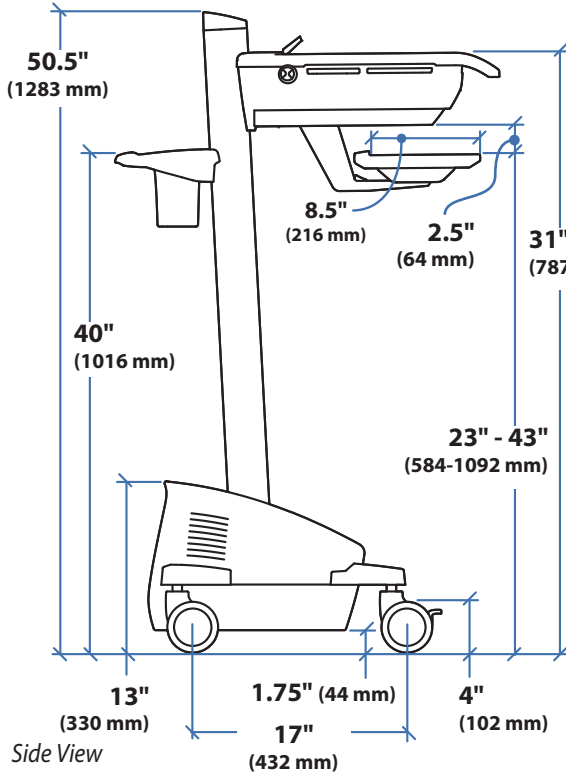
St. Paul, MN USA
(800) 888-8458
+1-651-681-7600
www.ergotron.com
sales@ergotron.com

Amersfoort, The Netherlands
+31 33 45 45 600
www.ergotron.com
info.eu@ergotron.com

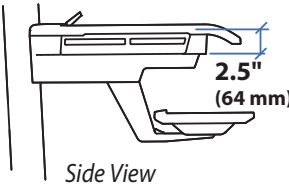
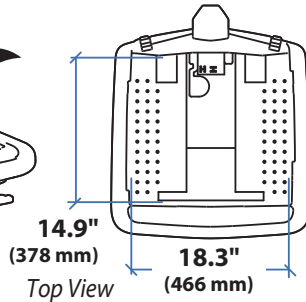
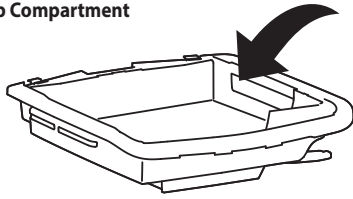
Tokyo, Japan
www.ergotron.com
apaccustomerservice@ergotron.com

www.ergotron.com
info.oem@ergotron.com

Dimensions

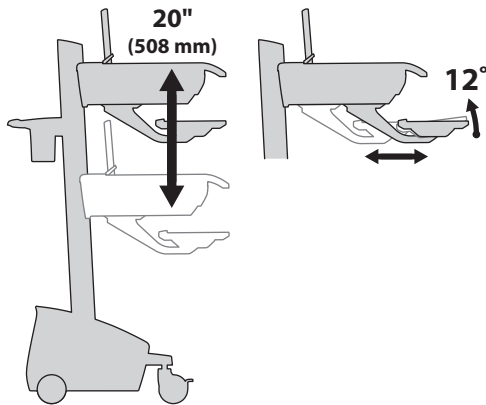


Laptop Compartment



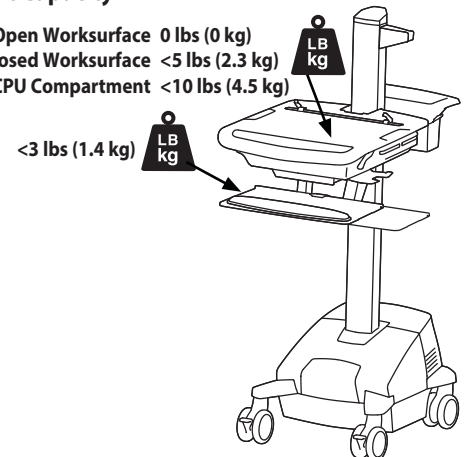
When figuring dimensions, include mounted accessories, protruding cables and port replicators or docking stations.

Range of Motion



Weight Capacity

- Open Worksurface 0 lbs (0 kg)
- Closed Worksurface <5 lbs (2.3 kg)
- CPU Compartment <10 lbs (4.5 kg)



Americas Sales and Corporate Headquarter

St. Paul, MN USA
(800) 888-8458
+1-651-681-7600
www.ergotron.com
sales@ergotron.com

EMEA Sales

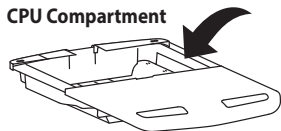
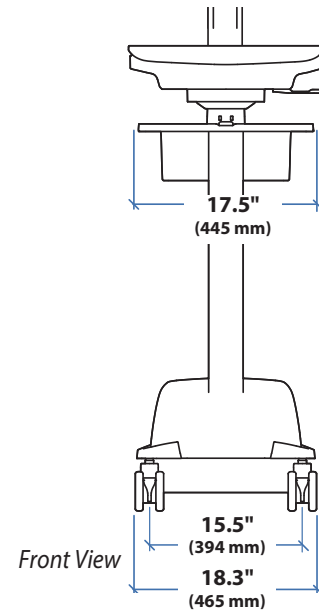
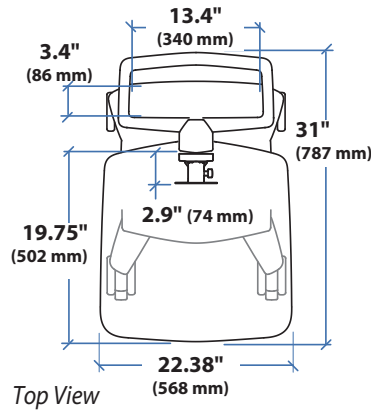
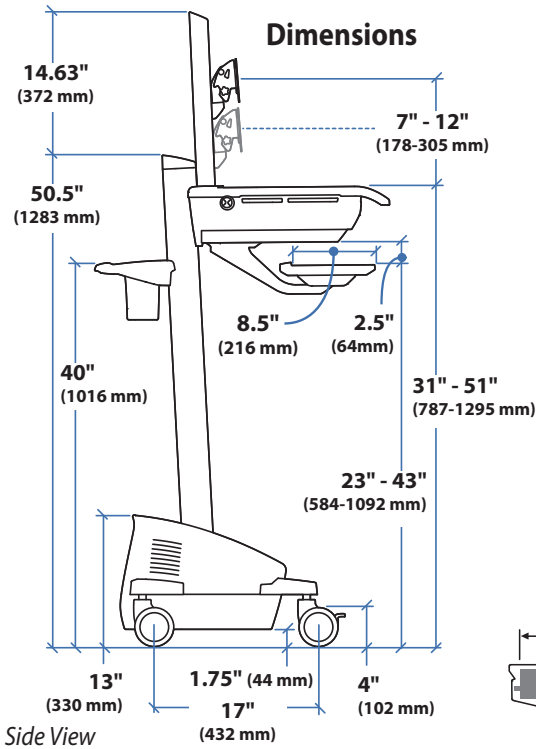
Amersfoort, The Netherlands
+31 33 45 45 600
www.ergotron.com
info.eu@ergotron.com

APAC Sales

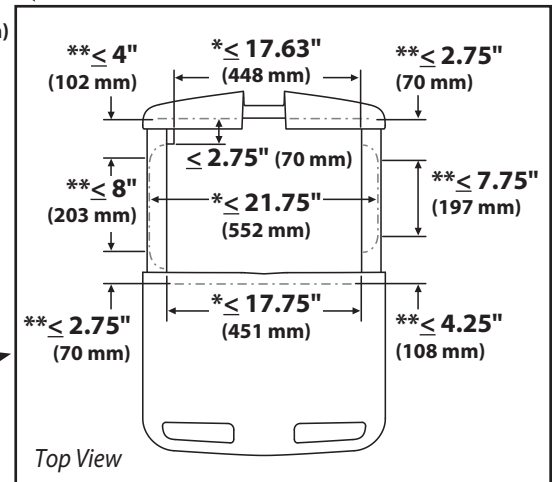
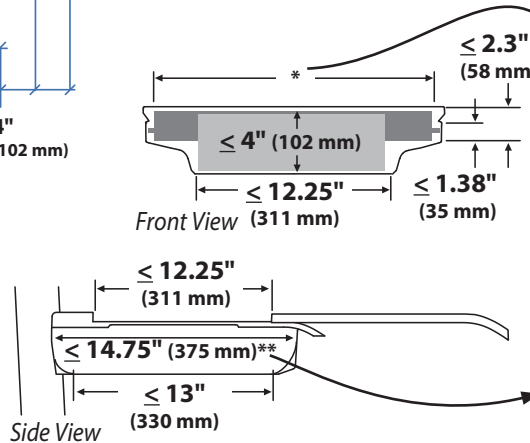
Tokyo, Japan
www.ergotron.com
apaccustomerservice@ergotron.com

Worldwide OEM Sales

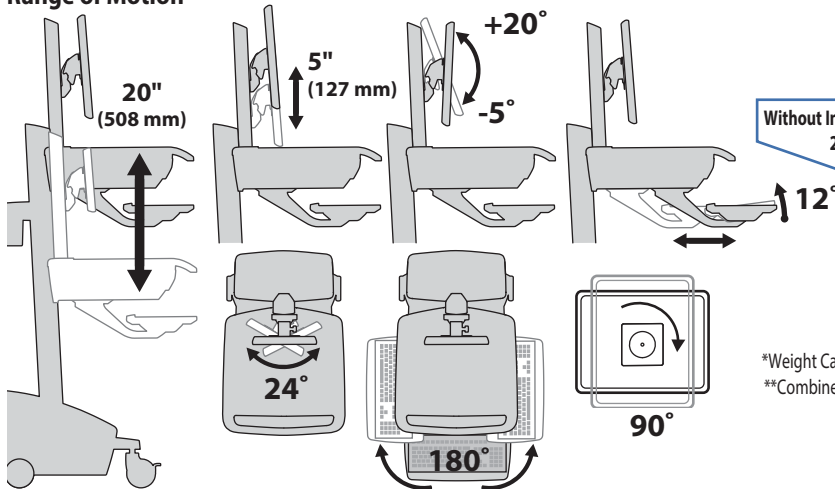
www.ergotron.com
info.oem@ergotron.com



When figuring dimensions, include mounted accessories, protruding cables and port replicators or docking stations.



Range of Motion



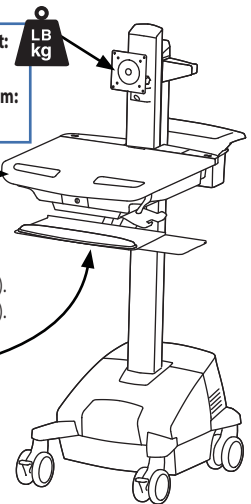
Weight Capacity

Without Independent LCD Lift: 20 lbs (9 kg)
With Independent LCD Lift: 6-14 lbs (2.7-6.4 kg)
Carts with LiFe Power System: 5-11 lbs (2.3-5 kg)

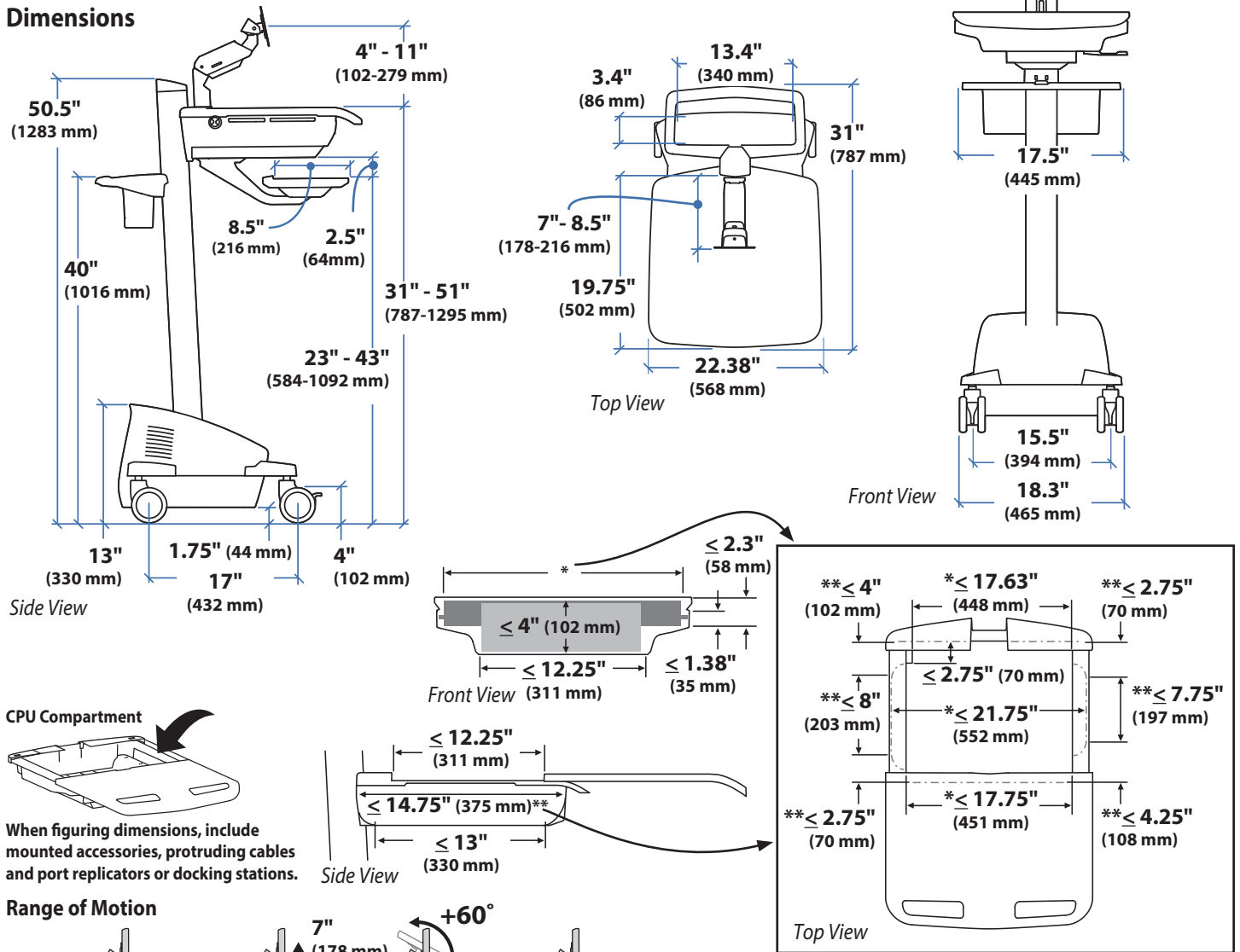
0 lbs (0 kg) Open Worksurface
<5 lbs (2.3 kg) Closed Worksurface*
<13 lbs (5.9 kg) CPU Compartment**

*Weight Capacity for carts with LiFe Power System is <3 lbs (1.4 kg).
**Combined LCD and CPU Compartment weight: <27 lbs (12.2 kg).

<3 lbs (1.4 kg)



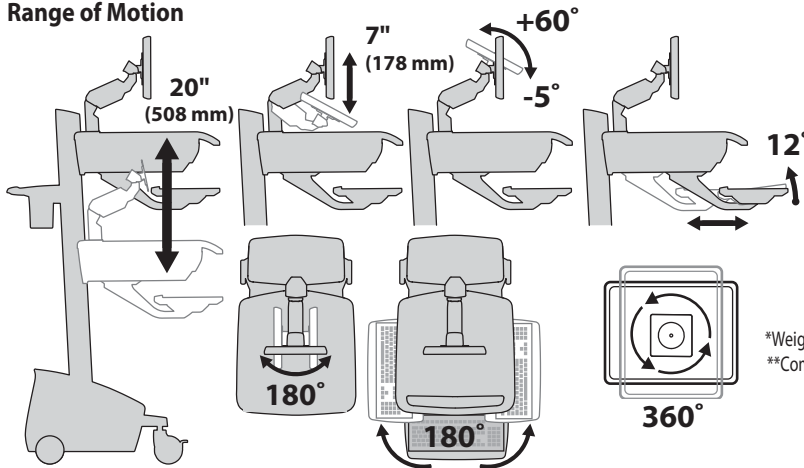
Dimensions



CPU Compartment

When figuring dimensions, include mounted accessories, protruding cables and port replicators or docking stations.

Range of Motion



Weight Capacity: <14 lbs (6.4 kg)

Carts with LiFe Power System:
5-11 lbs (2.3-5 kg)

0 lbs (0 kg) Open Worksurface

<5 lbs (2.3 kg) Closed Worksurface*

<13 lbs (5.9 kg) CPU Compartment**

*Weight Capacity for carts with LiFe Power System is <3 lbs (1.4kg).

**Combined LCD and CPU Compartment weight: <27 lbs (12.2 kg).

<3 lbs (1.4 kg)