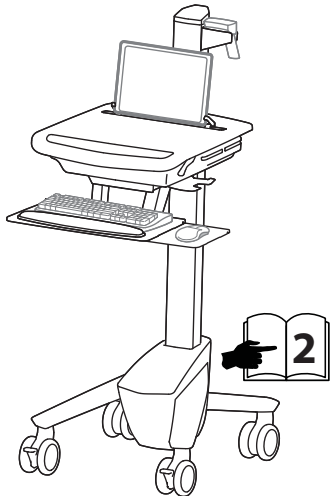


Ergotron® StyleView Cart

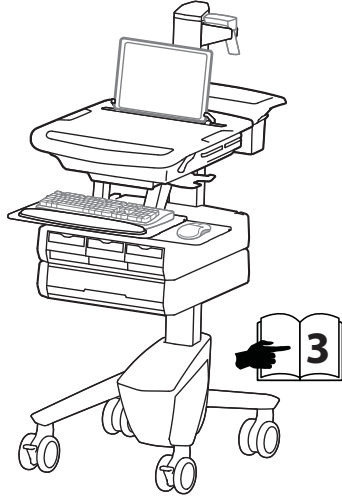
Dimensional Illustrations

StyleView® Carts

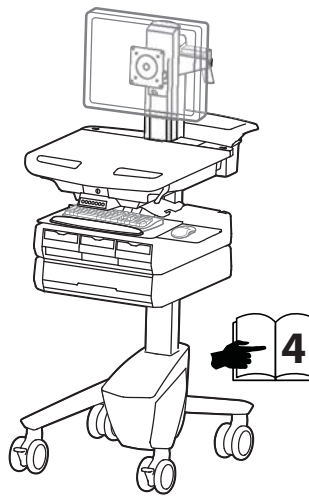
SV40 Laptop



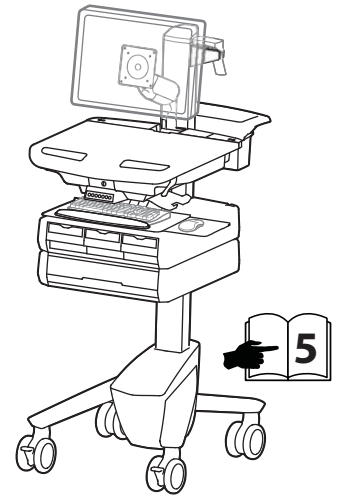
SV41 Laptop



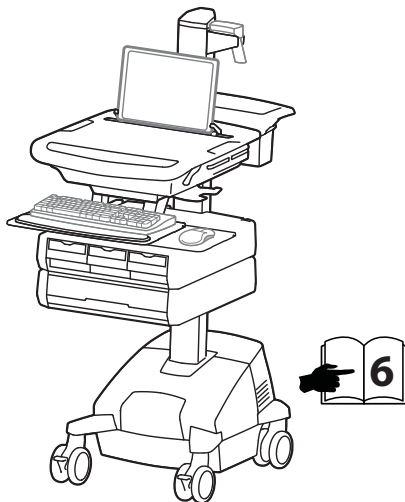
SV41 LCD Pivot



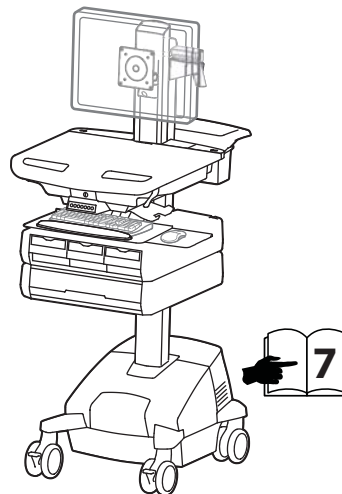
SV41 LCD Arm



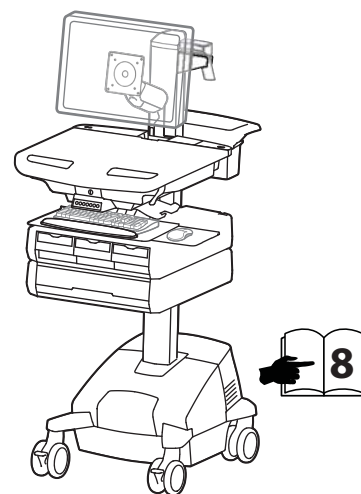
SV42 Laptop



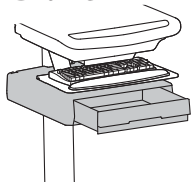
SV42 LCD Pivot



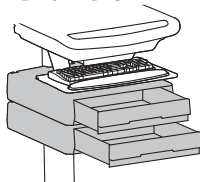
SV42 LCD Arm



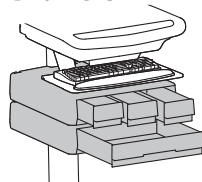
1 Drawer



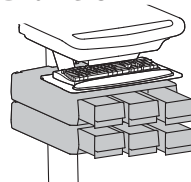
2 Drawers



4 Drawers



6 Drawers



© 2012 Ergotron, Inc. rev. 10/30/2012 DIM-SV4X-Drawers Content is subject to change without notification

Americas Sales and Corporate Headquarters

St. Paul, MN USA
(800) 888-8458
+1-651-681-7600
www.ergotron.com
sales@ergotron.com

EMEA Sales

Amersfoort, The Netherlands
+31 33 45 45 600
www.ergotron.com
info.eu@ergotron.com

APAC Sales

Tokyo, Japan
www.ergotron.com
apaccustomerservice@ergotron.com

Worldwide OEM Sales

www.ergotron.com
info.oem@ergotron.com

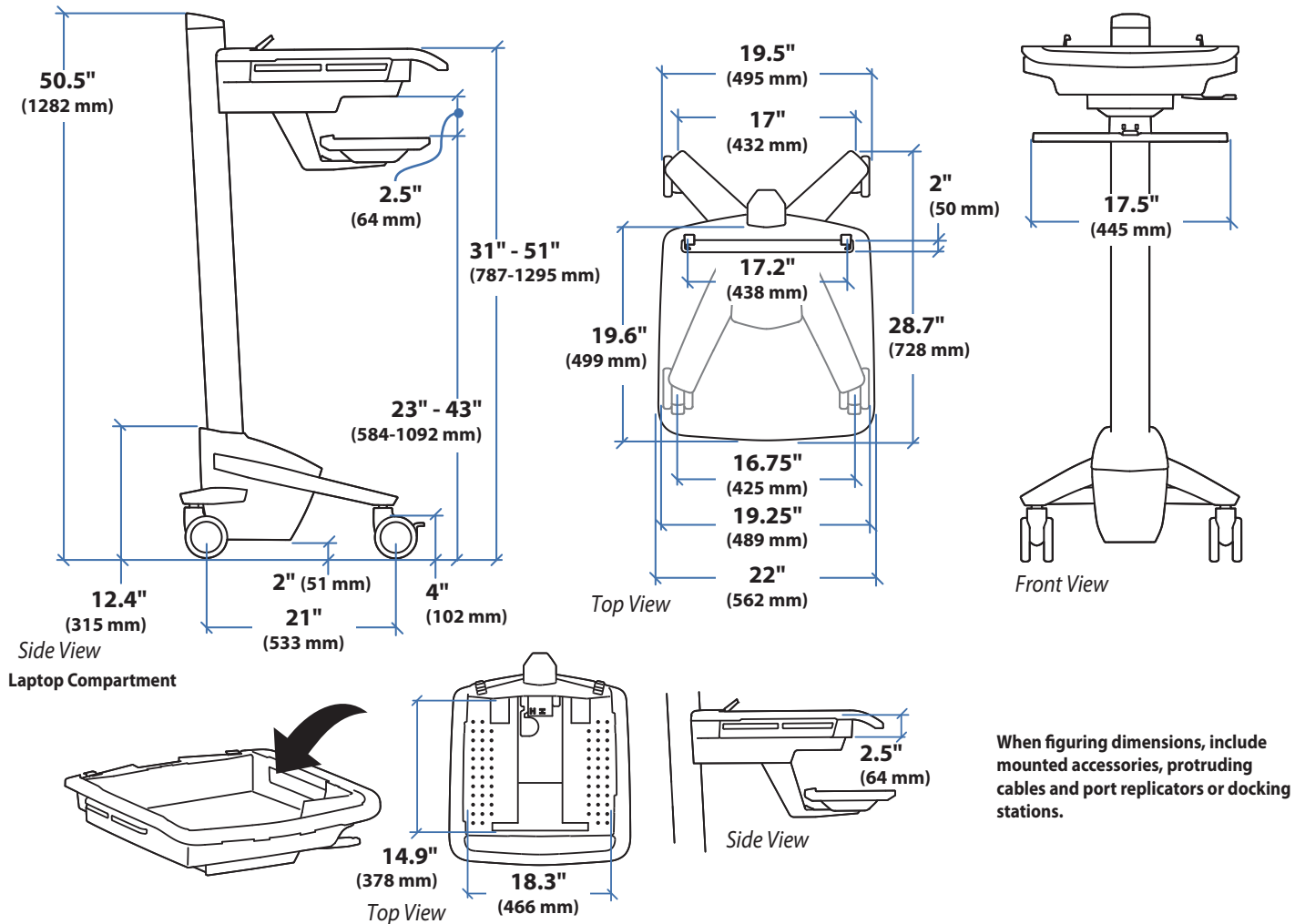


Ergotron® StyleView Cart

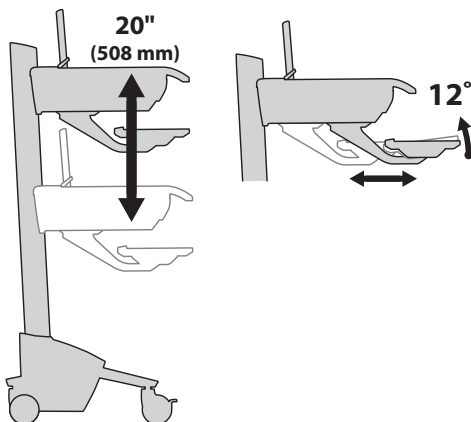
Dimensional Illustrations

StyleView® Laptop Cart, SV40

Dimensions

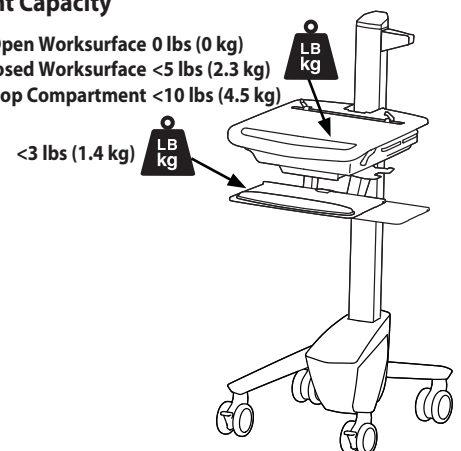


Range of Motion



Weight Capacity

- Open Worksurface 0 lbs (0 kg)
- Closed Worksurface <5 lbs (2.3 kg)
- Laptop Compartment <10 lbs (4.5 kg)



© 2012 Ergotron, Inc. rev. 10/30/2012 DIM-SV4X-Drawers Content is subject to change without notification

Americas Sales and Corporate Headquarters

St. Paul, MN USA
(800) 888-8458
+1-651-681-7600
www.ergotron.com
sales@ergotron.com

EMEA Sales

Amersfoort, The Netherlands
+31 33 45 45 600
www.ergotron.com
info.eu@ergotron.com

APAC Sales

Tokyo, Japan
www.ergotron.com
apaccustomerservice@ergotron.com

Worldwide OEM Sales

www.ergotron.com
info.oem@ergotron.com

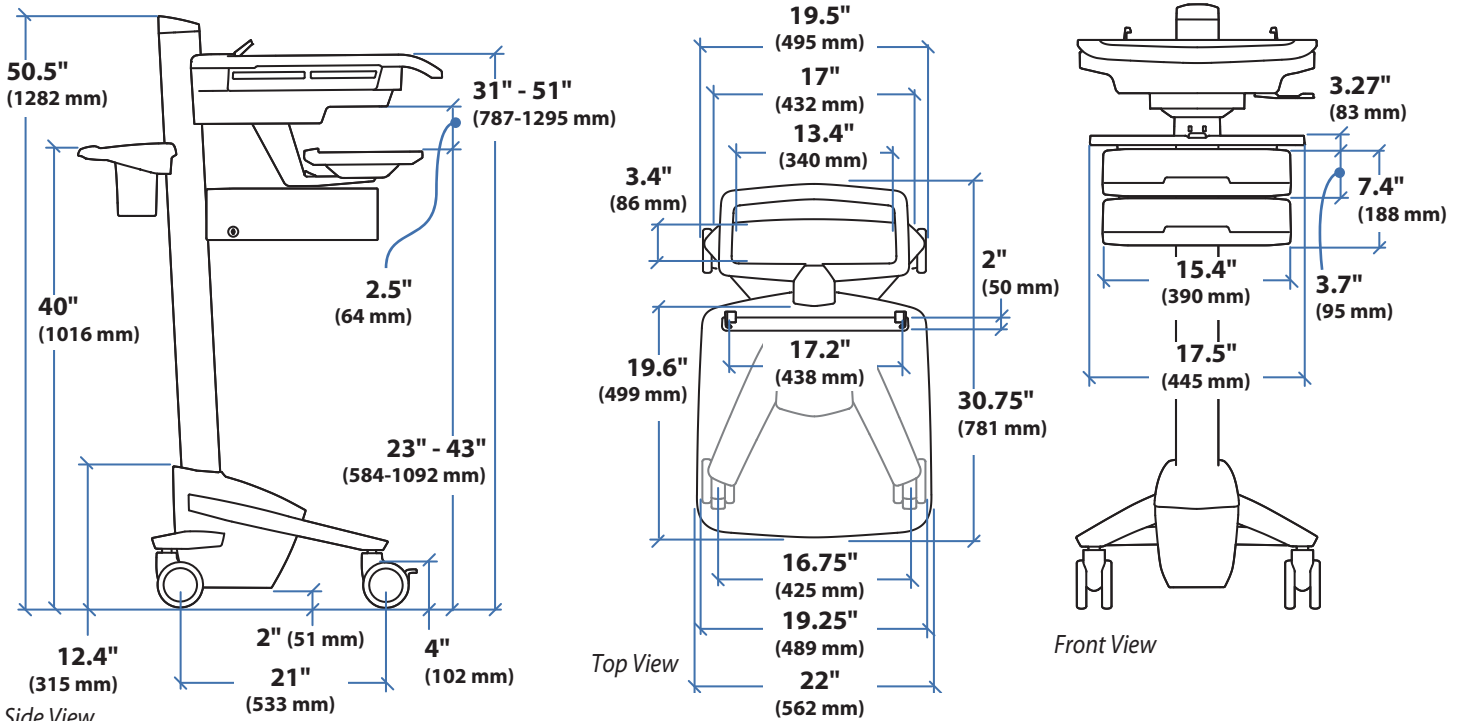


Ergotron® StyleView Cart

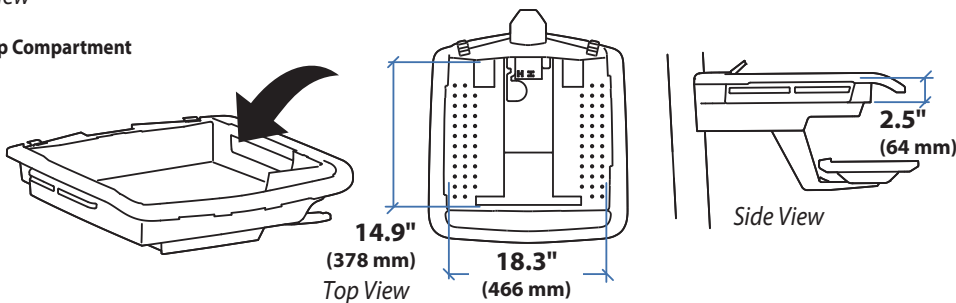
Dimensional Illustrations

StyleView® Laptop Cart, SV41

Dimensions

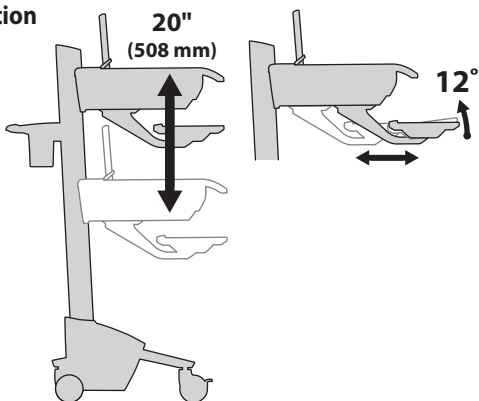


Laptop Compartment



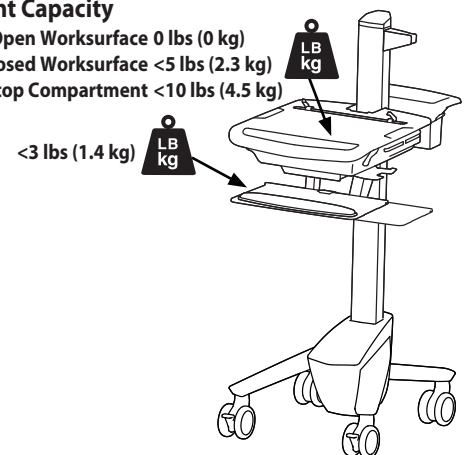
When figuring dimensions, include mounted accessories, protruding cables and port replicators or docking stations.

Range of Motion



Weight Capacity

- Open Worksurface 0 lbs (0 kg)
- Closed Worksurface <5 lbs (2.3 kg)
- Laptop Compartment <10 lbs (4.5 kg)



© 2012 Ergotron, Inc. rev. 10/30/2012 DIM-SV4X-Drawers Content is subject to change without notification

Americas Sales and Corporate Headquarters

St. Paul, MN USA
(800) 888-8458
+1-651-681-7600
www.ergotron.com
sales@ergotron.com

EMEA Sales

Amersfoort, The Netherlands
+31 33 45 45 600
www.ergotron.com
info.eu@ergotron.com

APAC Sales

Tokyo, Japan
www.ergotron.com
apaccustomerservice@ergotron.com

Worldwide OEM Sales

www.ergotron.com
info.oem@ergotron.com

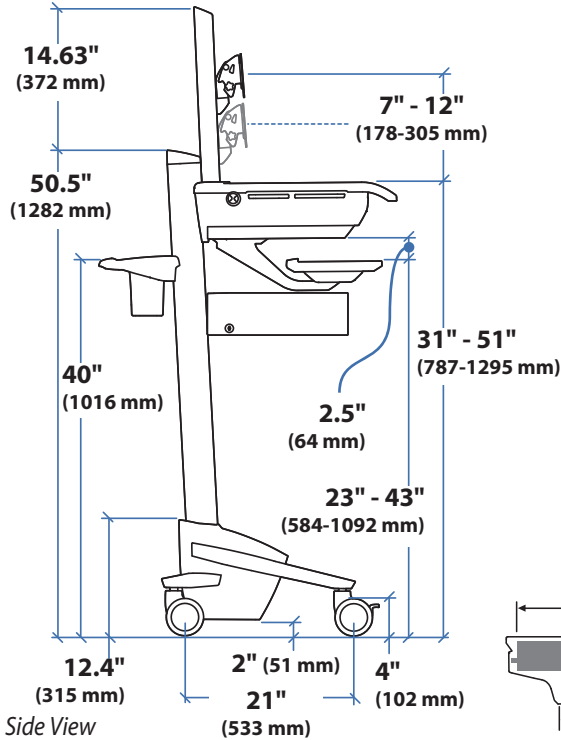


Ergotron® StyleView Cart

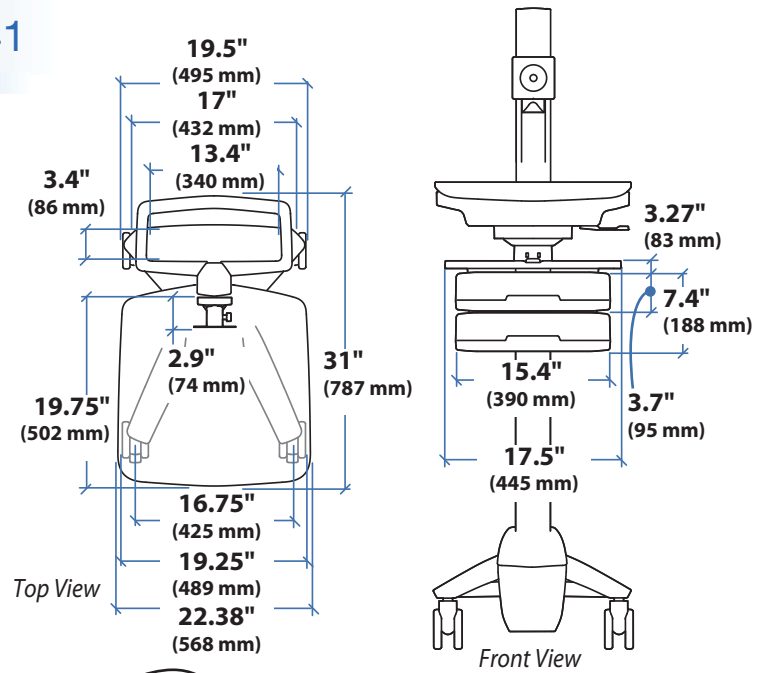
Dimensional Illustrations

StyleView® Cart with LCD Pivot, SV41

Dimensions

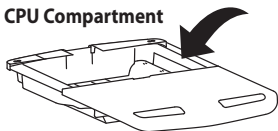


Side View

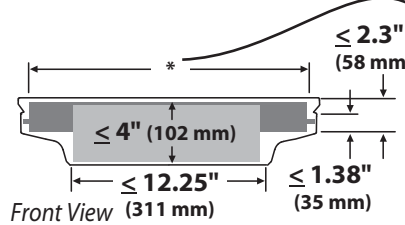


Top View

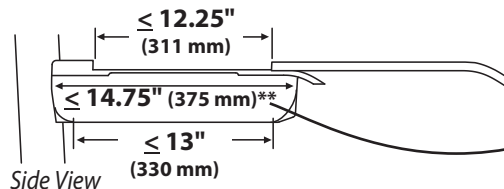
Front View



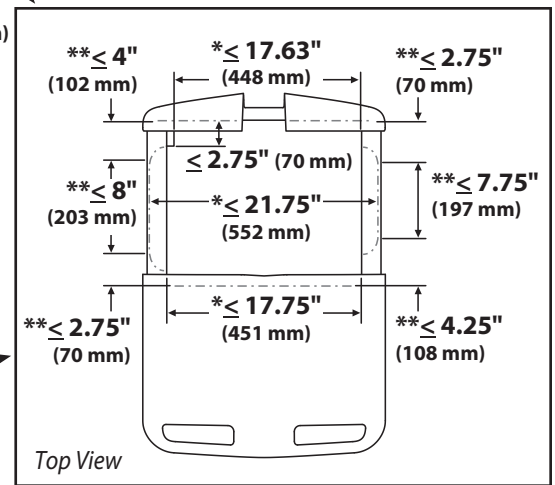
When figuring dimensions, include mounted accessories, protruding cables and port replicators or docking stations.



Front View

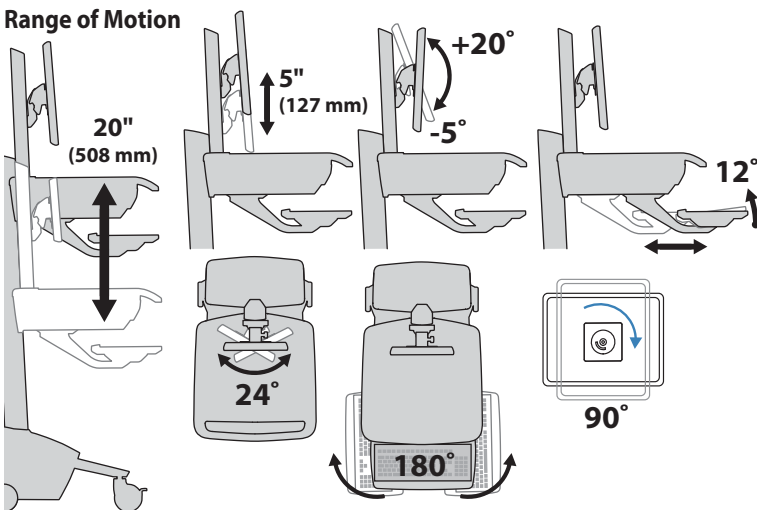


Side View



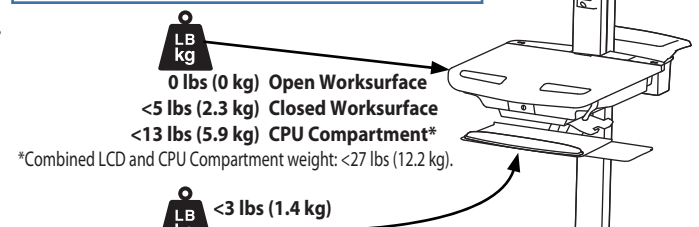
Top View

Range of Motion



Weight Capacity

With Independent LCD Lift:	Without Independent LCD Lift:
<14 lbs (6.4 kg)	20 lbs (9 kg)



If the combined LCD and CPU weight is greater than 27 lbs (12.2 kg) then the CPU must be mounted to the rear of the cart using the Universal CPU Holder accessory (ordered separately).

© 2012 Ergotron, Inc. rev. 10/30/2012 DIM-SV4X-Drawers Content is subject to change without notification

Americas Sales and Corporate Headquarters

St. Paul, MN USA
(800) 888-8458
+1-651-681-7600
www.ergotron.com
sales@ergotron.com

EMEA Sales

Amersfoort, The Netherlands
+31 33 45 45 600
www.ergotron.com
info.eu@ergotron.com

APAC Sales

Tokyo, Japan
www.ergotron.com
apaccustomerservice@ergotron.com

Worldwide OEM Sales

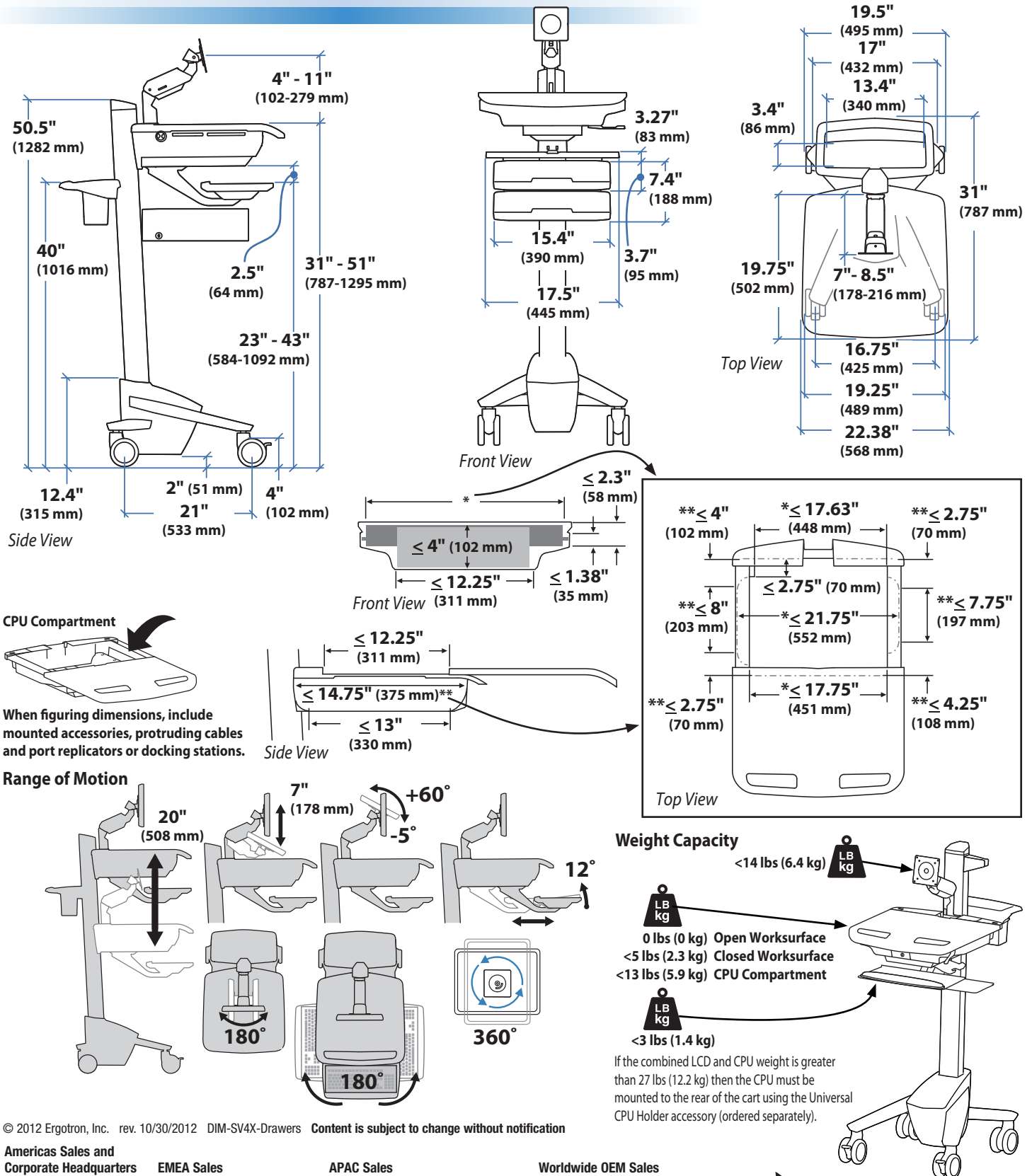
www.ergotron.com
info.oem@ergotron.com



Ergotron® StyleView Cart

Dimensional Illustrations

StyleView® Cart with LCD Arm SV41



© 2012 Ergotron, Inc. rev. 10/30/2012 DIM-SV4X-Drawers Content is subject to change without notification

Americas Sales and Corporate Headquarters

St. Paul, MN USA
(800) 888-8458
+1-651-681-7600
www.ergotron.com
sales@ergotron.com

EMEA Sales

Amersfoort, The Netherlands
+31 33 45 45 600
www.ergotron.com
info.eu@ergotron.com

APAC Sales

Tokyo, Japan
www.ergotron.com
apaccustomerservice@ergotron.com

Worldwide OEM Sales

www.ergotron.com
info.oem@ergotron.com

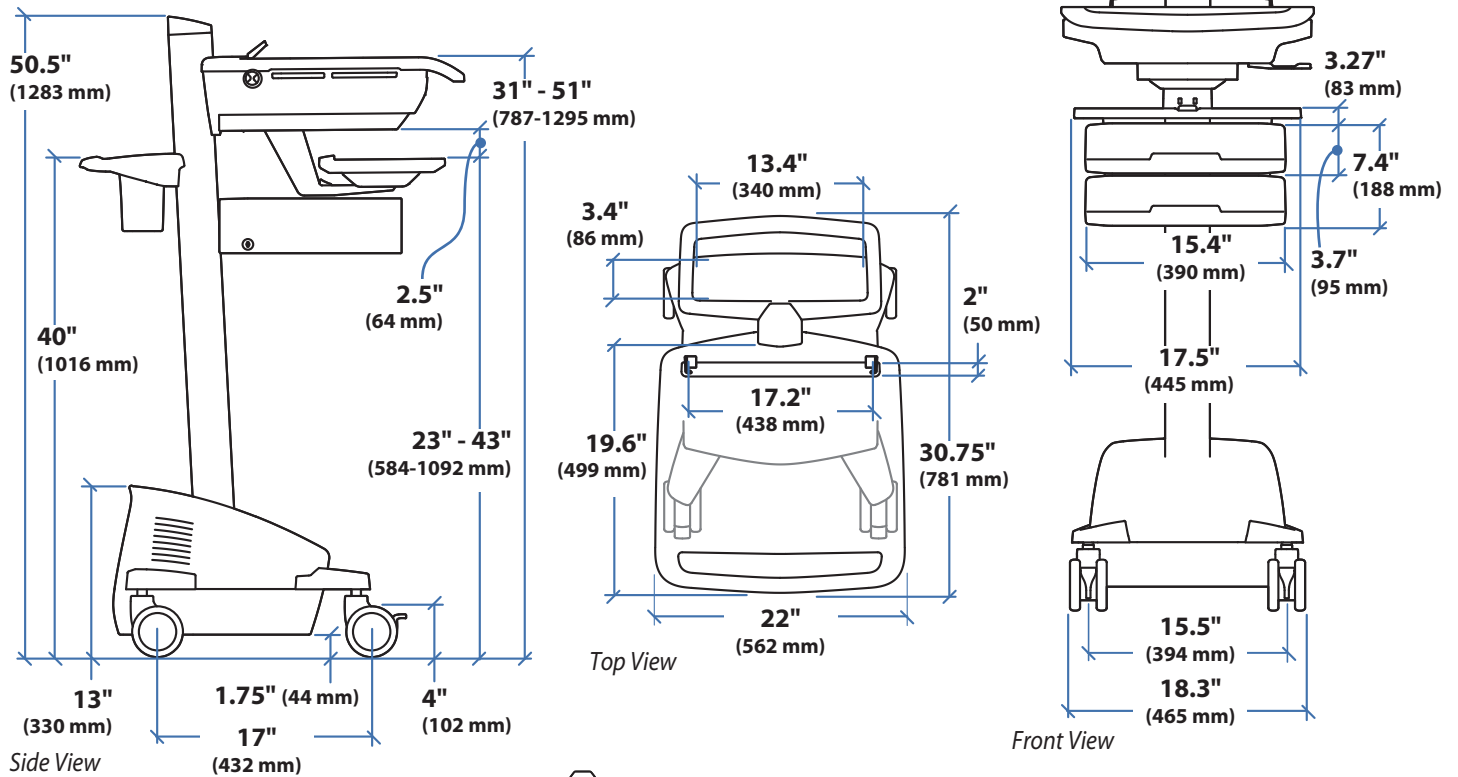


Ergotron® StyleView Cart

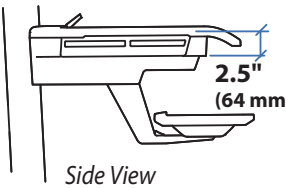
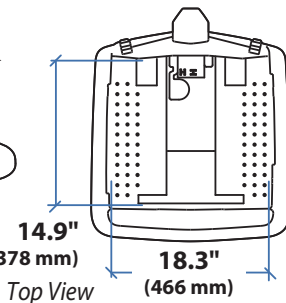
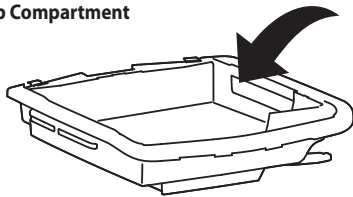
Dimensional Illustrations

StyleView® Laptop Cart, Powered SV42

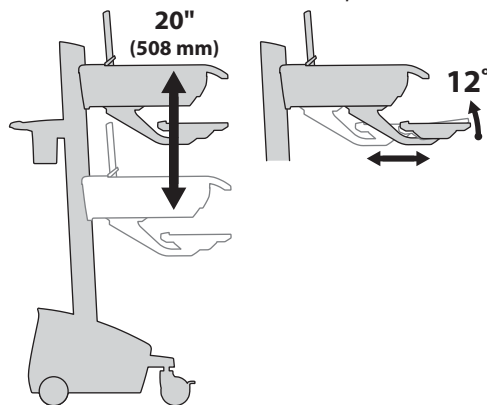
Dimensions



Laptop Compartment

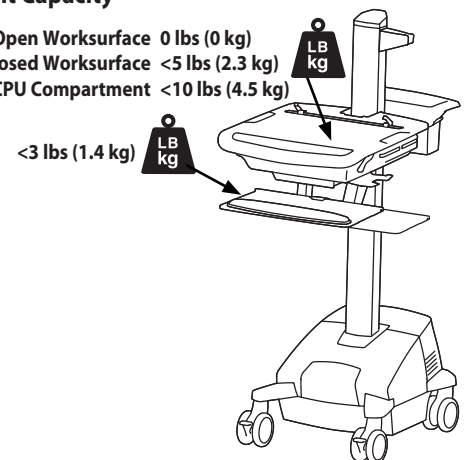


Range of Motion



Weight Capacity

- Open Worksurface 0 lbs (0 kg)
- Closed Worksurface <5 lbs (2.3 kg)
- CPU Compartment <10 lbs (4.5 kg)



© 2012 Ergotron, Inc. rev. 10/30/2012 DIM-SV4X-Drawers Content is subject to change without notification

Americas Sales and Corporate Headquarters

St. Paul, MN USA
(800) 888-8458
+1-651-681-7600
www.ergotron.com
sales@ergotron.com

EMEA Sales

Amersfoort, The Netherlands
+31 33 45 45 600
www.ergotron.com
info.eu@ergotron.com

APAC Sales

Tokyo, Japan
www.ergotron.com
apaccustomerservice@ergotron.com

Worldwide OEM Sales

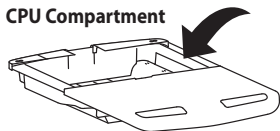
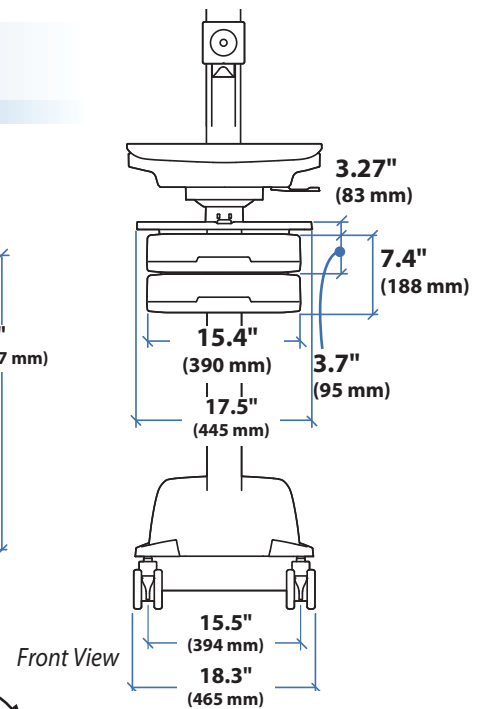
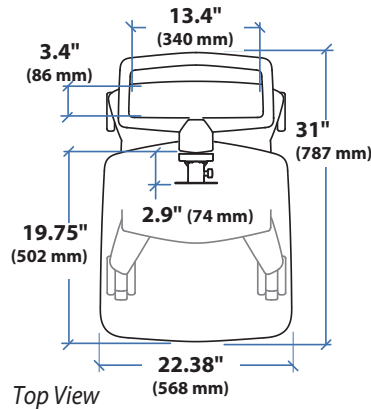
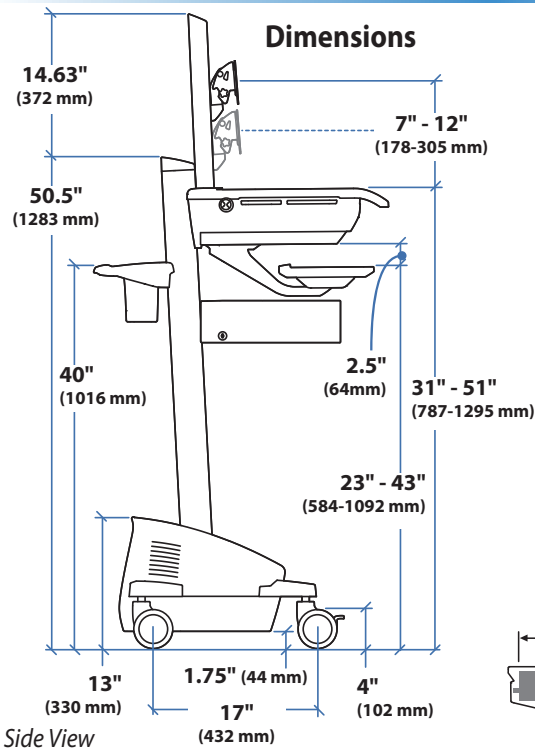
www.ergotron.com
info.oem@ergotron.com



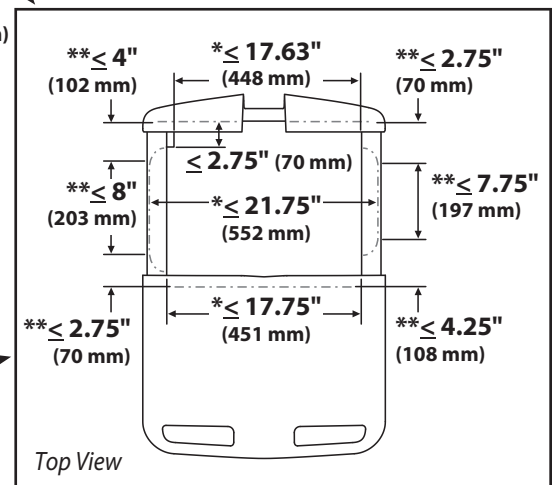
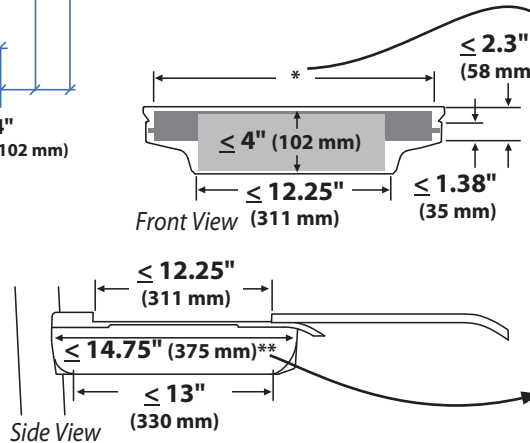
Ergotron® StyleView Cart

Dimensional Illustrations

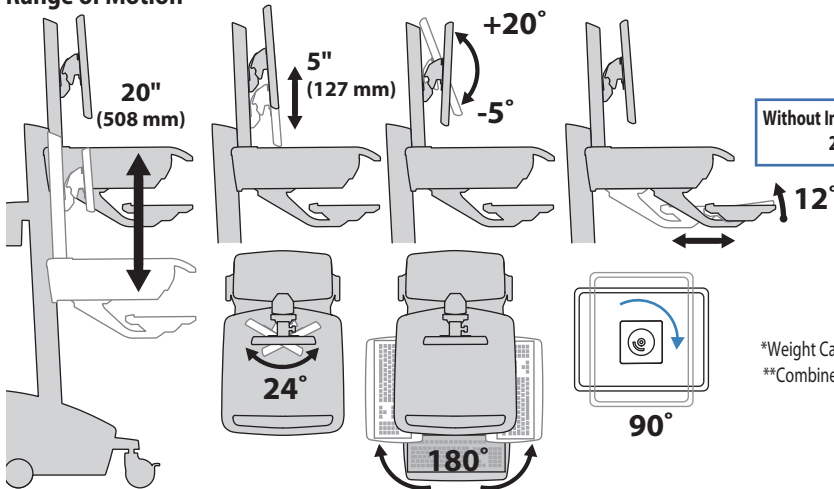
StyleView® Cart with LCD Pivot, Powered SV42



When figuring dimensions, include mounted accessories, protruding cables and port replicators or docking stations.



Range of Motion



Weight Capacity

Without Independent LCD Lift:
20 lbs (9 kg)

With Independent LCD Lift:
6-14 lbs (2.7-6.4 kg)

Carts with LiFe Power System:
5-11 lbs (2.3-5 kg)

*Weight Capacity for carts with LiFe Power System is <math>< 3</math> lbs (1.4 kg).

**Combined LCD and CPU Compartment weight: <math>< 27</math> lbs (12.2 kg).

$< 3</math> lbs (1.4 kg)$

If the combined LCD and CPU weight is greater than 27 lbs (12.2 kg) then the CPU must be mounted to the rear of the cart using the Universal CPU Holder accessory (ordered separately).

© 2012 Ergotron, Inc. rev. 10/30/2012 DIM-SV4X-Drawers Content is subject to change without notification

Americas Sales and
Corporate Headquarters

St. Paul, MN USA
(800) 888-8458
+1-651-681-7600
www.ergotron.com
sales@ergotron.com

EMEA Sales

Amersfoort, The Netherlands
+31 33 45 45 600
www.ergotron.com
info.eu@ergotron.com

APAC Sales

Tokyo, Japan
www.ergotron.com
apaccustomerservice@ergotron.com

Worldwide OEM Sales

www.ergotron.com
info.oem@ergotron.com

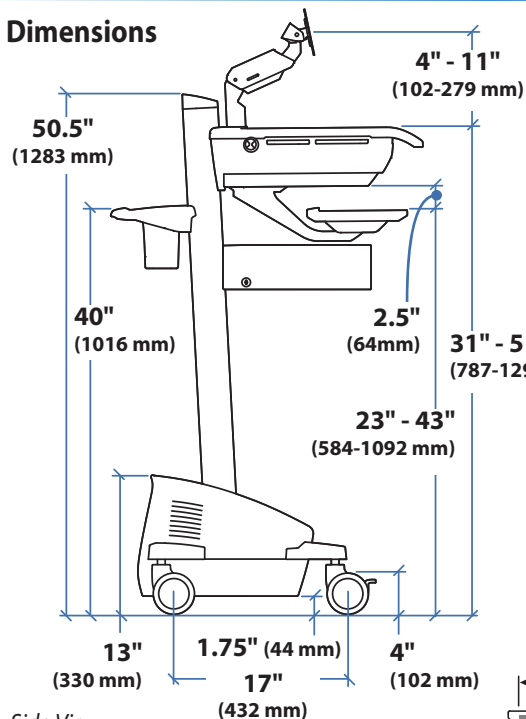


Ergotron® StyleView Cart

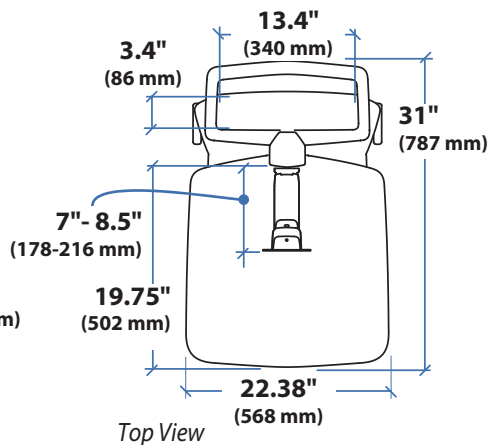
Dimensional Illustrations

StyleView® Cart with LCD Arm, Powered SV42

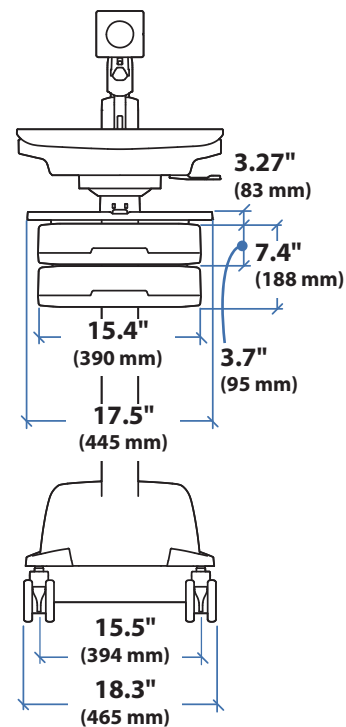
Dimensions



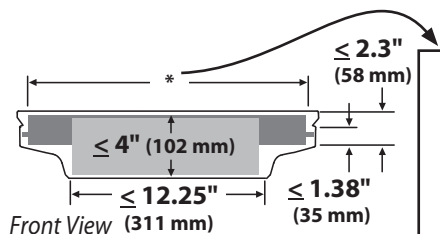
Side View



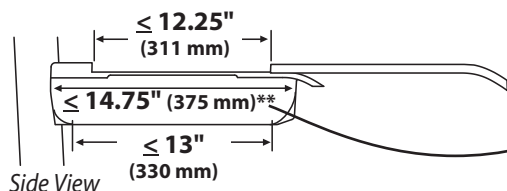
Top View



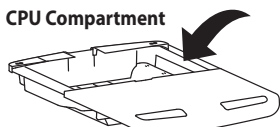
Front View



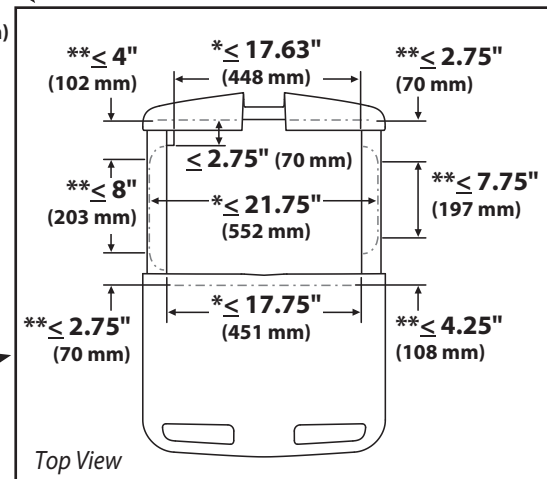
Front View



Side View

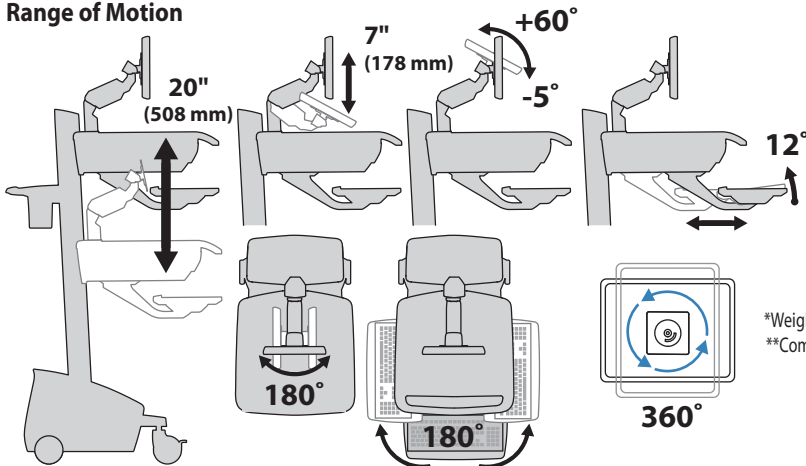


When figuring dimensions, include mounted accessories, protruding cables and port replicators or docking stations.



Top View

Range of Motion



Weight Capacity: <math>< 14</math> lbs (6.4 kg)

Carts with LiFe Power System:
5-11 lbs (2.3-5 kg)

0 lbs (0 kg) Open Worksurface
<math>< 5</math> lbs (2.3 kg) Closed Worksurface*

<math>< 13</math> lbs (5.9 kg) CPU Compartment**

*Weight Capacity for carts with LiFe Power System is <math>< 3</math> lbs (1.4 kg).

**Combined LCD and CPU Compartment weight: <math>< 27</math> lbs (12.2 kg).

<math>< 3</math> lbs (1.4 kg)

If the combined LCD and CPU weight is greater than 27 lbs (12.2 kg) then the CPU must be mounted to the rear of the cart using the Universal CPU Holder accessory (ordered separately).

© 2012 Ergotron, Inc. rev. 10/30/2012 DIM-SV4X-Drawers Content is subject to change without notification

Americas Sales and Corporate Headquarters

EMEA Sales

APAC Sales

Worldwide OEM Sales

St. Paul, MN USA
(800) 888-8458
+1-651-681-7600
www.ergotron.com
sales@ergotron.com

Amersfoort, The Netherlands
+31 33 45 45 600
www.ergotron.com
info.eu@ergotron.com

Tokyo, Japan
www.ergotron.com
apaccustomerservice@ergotron.com

www.ergotron.com
info.oem@ergotron.com

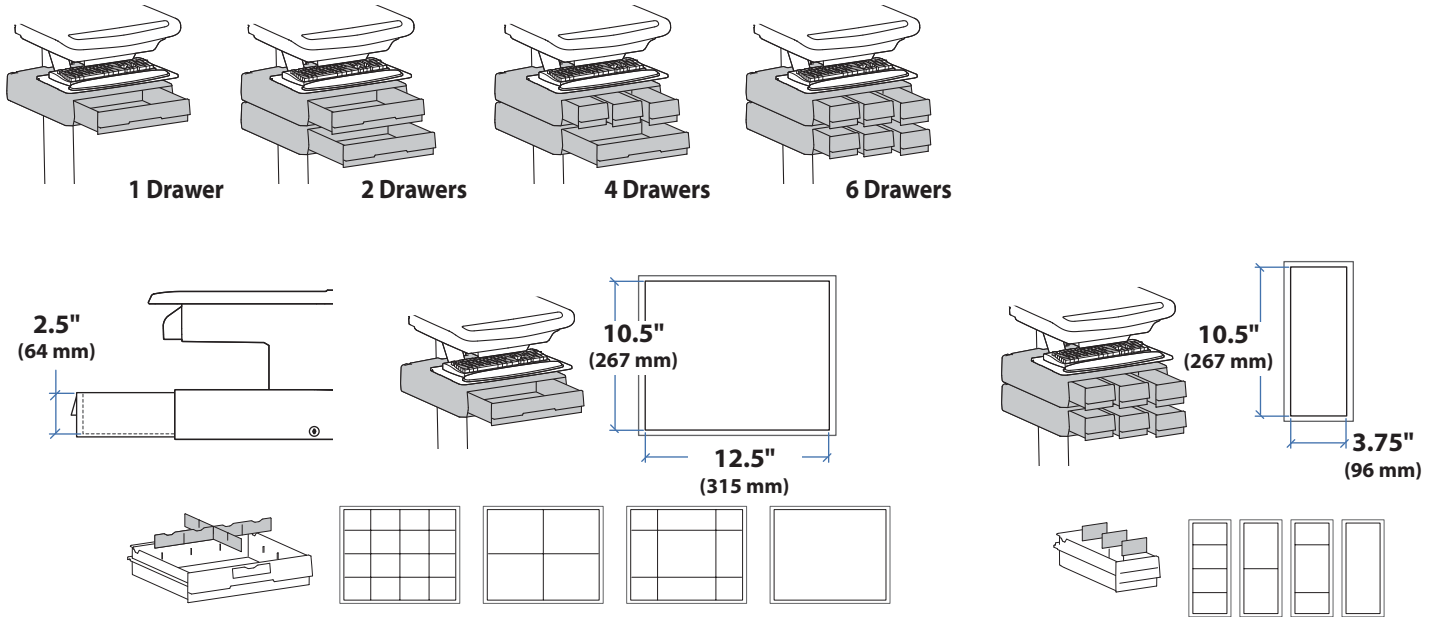


Ergotron® StyleView Cart

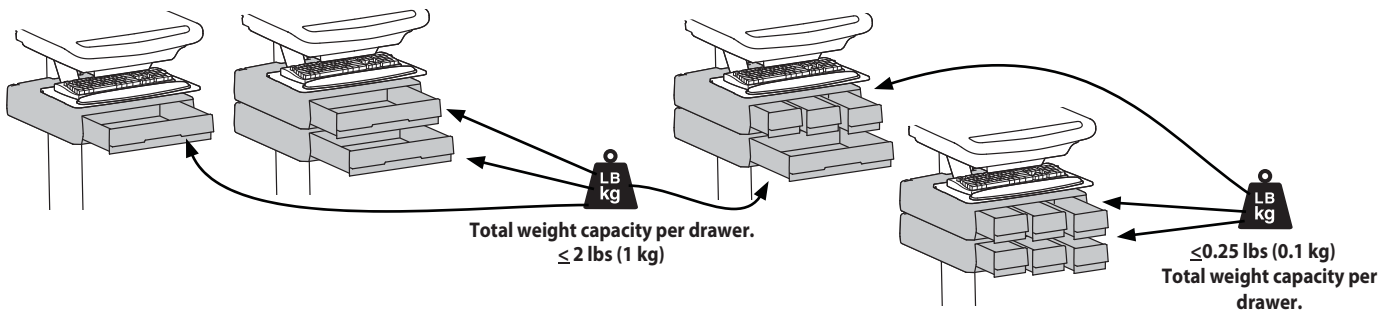
Dimensional Illustrations

StyleView® Cart Auto-Lock Drawer

Dimensions



Weight Capacity



© 2012 Ergotron, Inc. rev. 10/30/2012 DIM-SV4X-Drawers Content is subject to change without notification

Americas Sales and Corporate Headquarters

St. Paul, MN USA
 (800) 888-8458
 +1-651-681-7600
www.ergotron.com
sales@ergotron.com

EMEA Sales

Amersfoort, The Netherlands
 +31 33 45 45 600
www.ergotron.com
info.eu@ergotron.com

APAC Sales

Tokyo, Japan
www.ergotron.com
apaccustomerservice@ergotron.com

Worldwide OEM Sales

www.ergotron.com
info.oem@ergotron.com

