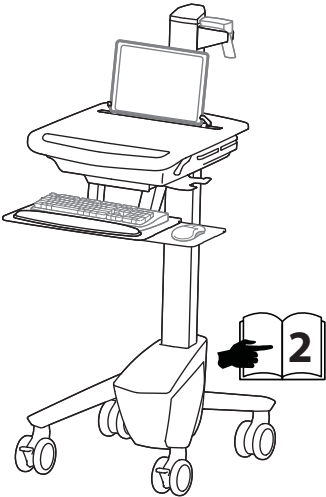


# Ergotron® StyleView Cart

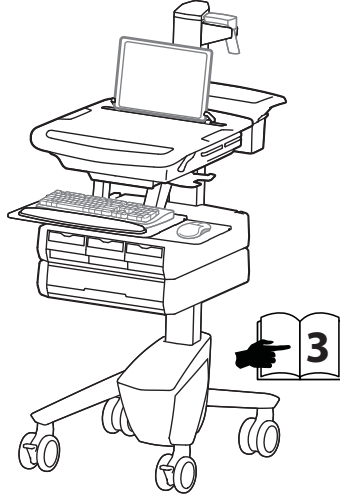
Dimensional Illustrations

## StyleView® Carts

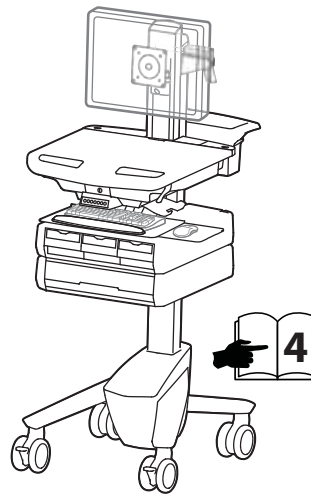
**SV40 Laptop**



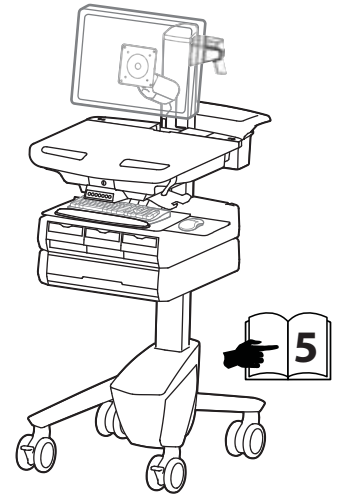
**SV41/SV43 Laptop**



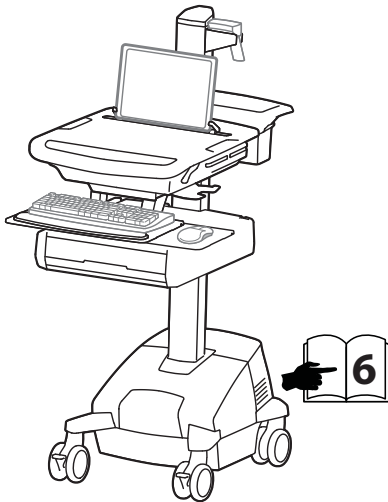
**SV41/SV43 LCD Pivot**



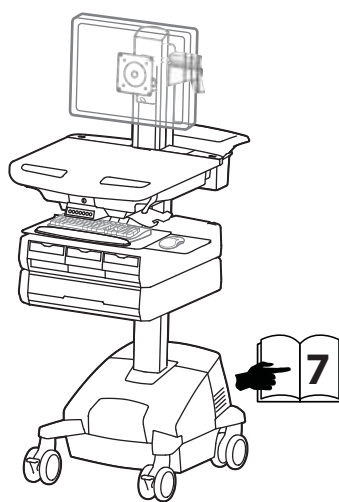
**SV41/SV43 LCD Arm**



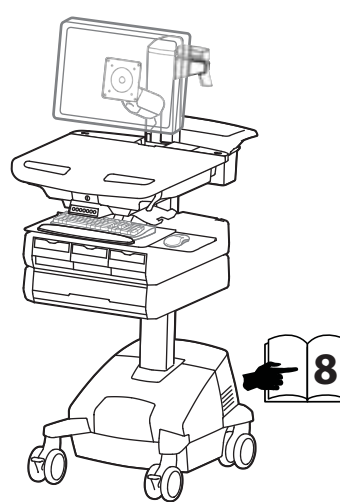
**SV42/SV44 Laptop**



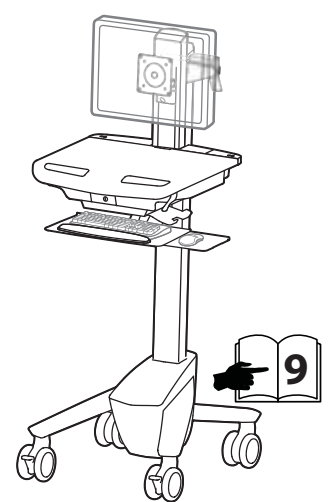
**SV42/SV44 LCD Pivot**



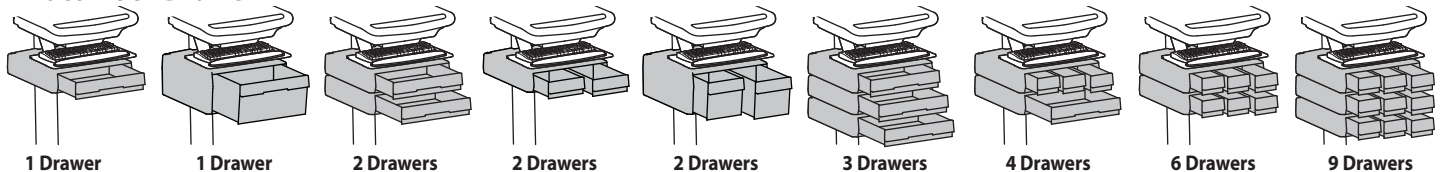
**SV42/SV44 LCD Arm**



**SV40 LCD Pivot**



**\*Auto-Lock Drawer**



© 2014 Ergotron, Inc. rev. 10/08/2015 DIM-SV4X-Drawers Content is subject to change without notification

**Americas Sales and Corporate Headquarters**

St. Paul, MN USA  
(800) 888-8458  
+1-651-681-7600  
www.ergotron.com  
sales@ergotron.com

**EMEA Sales**

Amersfoort, The Netherlands  
+31 33 45 45 600  
www.ergotron.com  
info.eu@ergotron.com

**APAC Sales**

Tokyo, Japan  
www.ergotron.com  
apaccustomerservice@ergotron.com

**Worldwide OEM Sales**

www.ergotron.com  
info.oem@ergotron.com

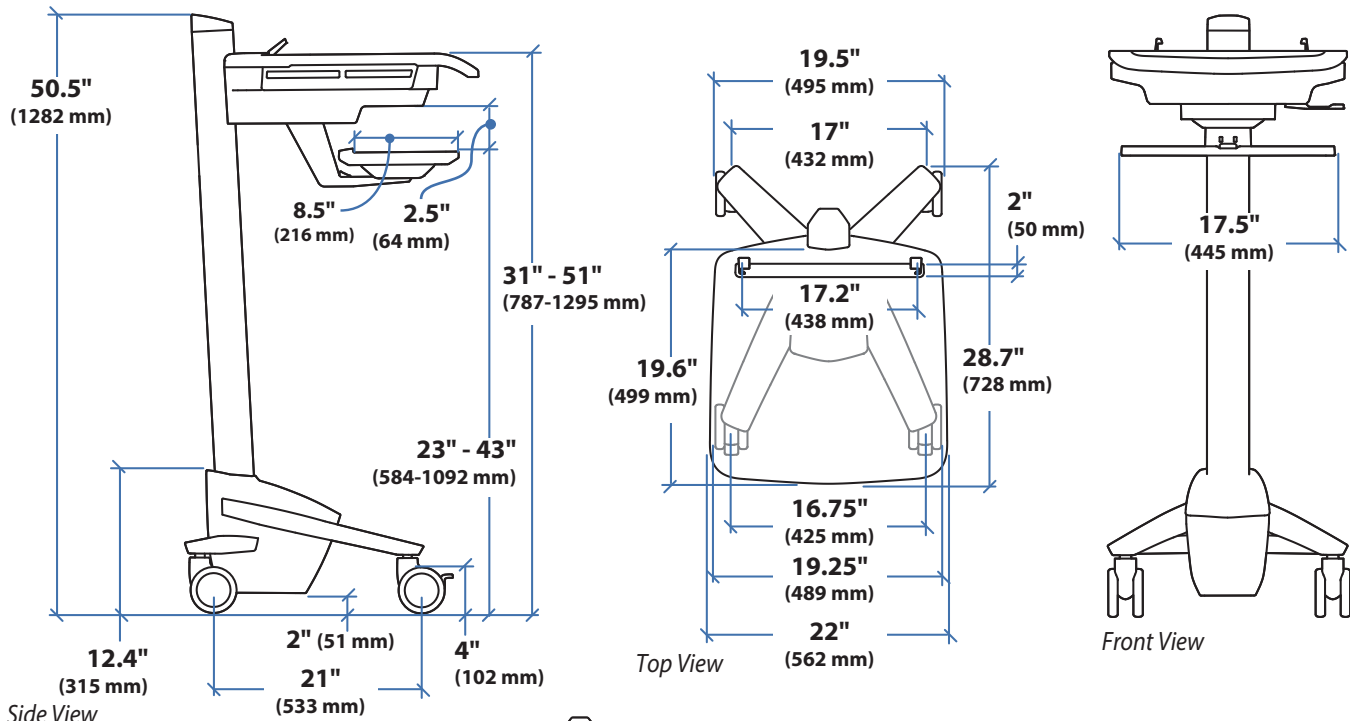


# Ergotron® StyleView Cart

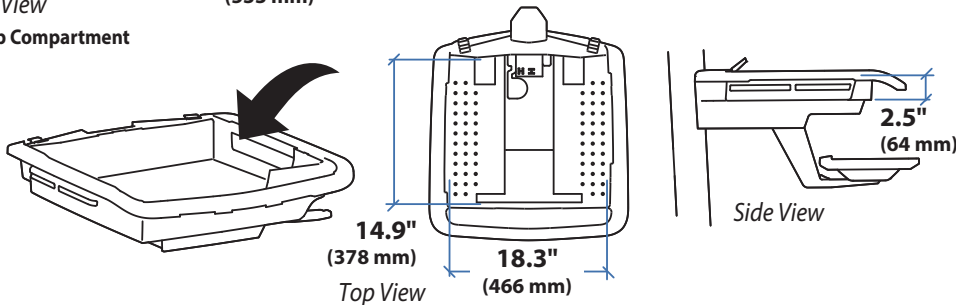
Dimensional Illustrations

## StyleView® Laptop Cart, SV40

### Dimensions

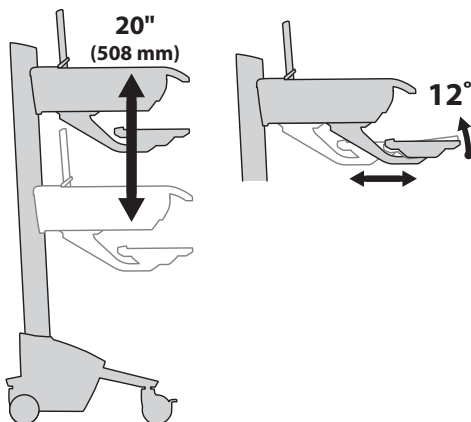


### Laptop Compartment



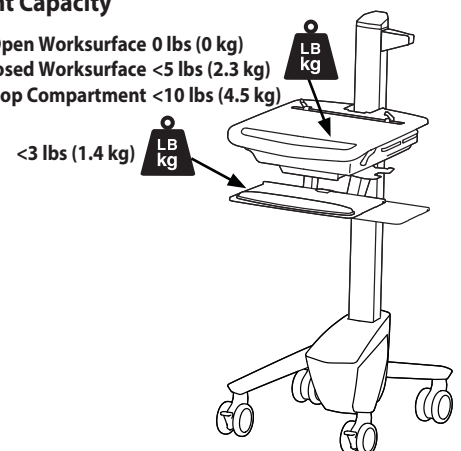
When figuring dimensions, include mounted accessories, protruding cables and port replicators or docking stations.

### Range of Motion



### Weight Capacity

- Open Worksurface 0 lbs (0 kg)
- Closed Worksurface <5 lbs (2.3 kg)
- Laptop Compartment <10 lbs (4.5 kg)



© 2014 Ergotron, Inc. rev. 10/08/2015 DIM-SV4X-Drawers Content is subject to change without notification

#### Americas Sales and Corporate Headquarters

St. Paul, MN USA  
 (800) 888-8458  
 +1-651-681-7600  
 www.ergotron.com  
 sales@ergotron.com

#### EMEA Sales

Amersfoort, The Netherlands  
 +31 33 45 45 600  
 www.ergotron.com  
 info.eu@ergotron.com

#### APAC Sales

Tokyo, Japan  
 www.ergotron.com  
 apaccustomerservice@ergotron.com

#### Worldwide OEM Sales

www.ergotron.com  
 info.oem@ergotron.com

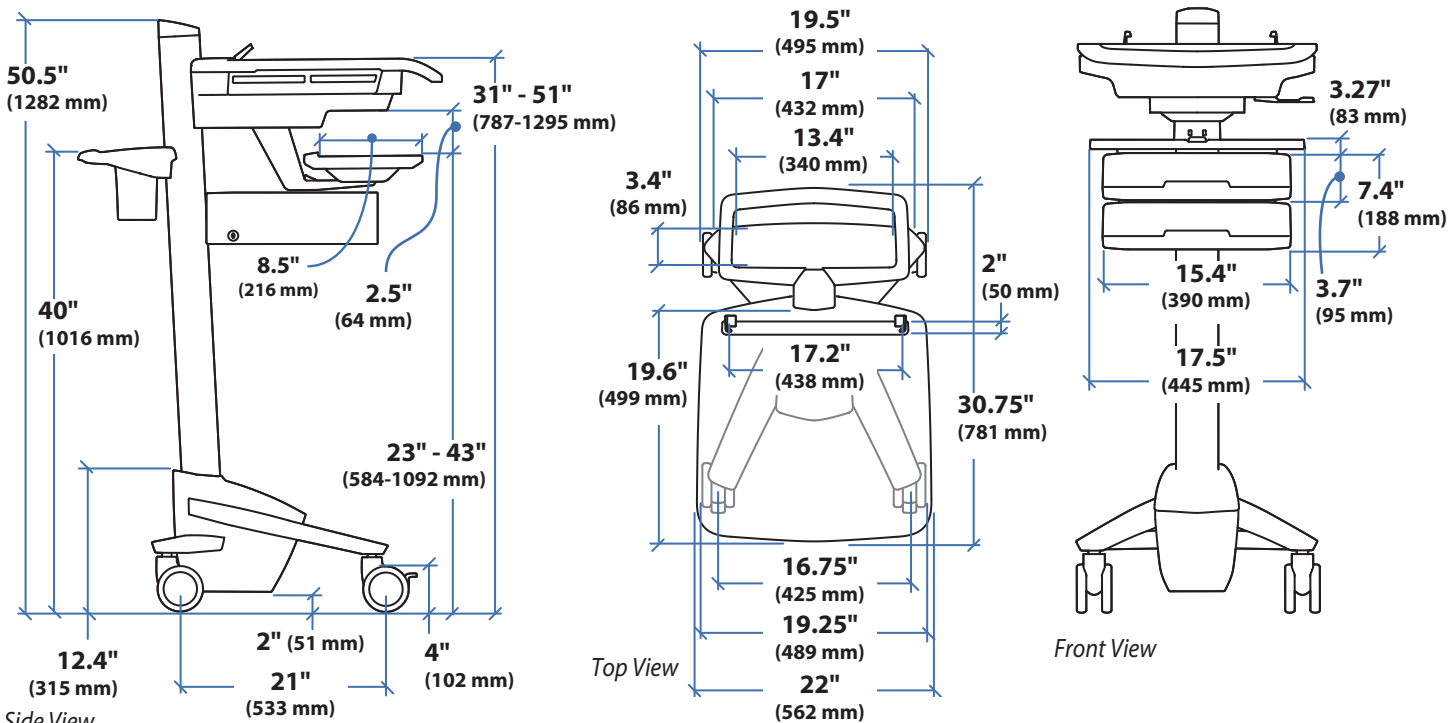


# Ergotron® StyleView Cart

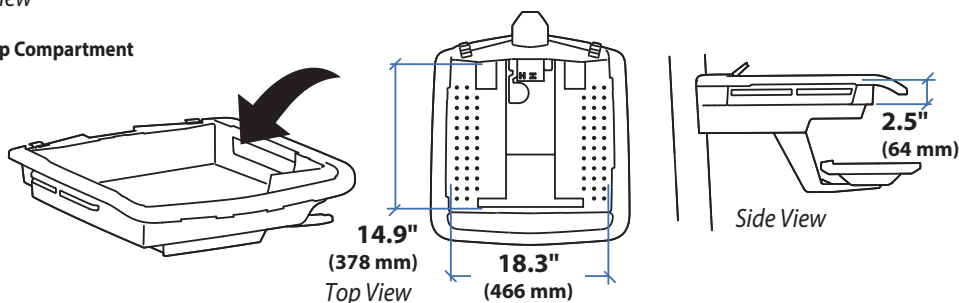
Dimensional Illustrations

## StyleView® Laptop Cart, SV41/SV43

### Dimensions

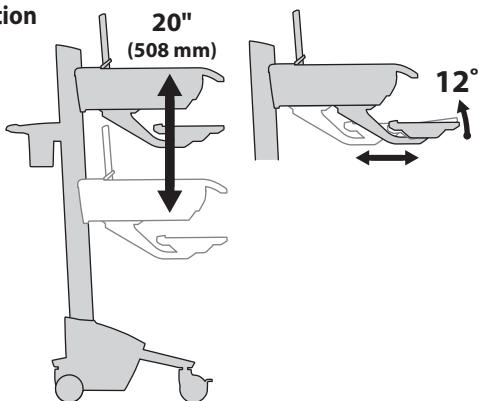


### Laptop Compartment



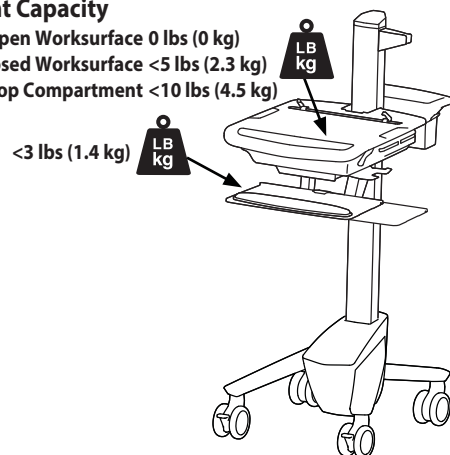
When figuring dimensions, include mounted accessories, protruding cables and port replicators or docking stations.

### Range of Motion



### Weight Capacity

- Open Worksurface 0 lbs (0 kg)
- Closed Worksurface <5 lbs (2.3 kg)
- Laptop Compartment <10 lbs (4.5 kg)



© 2014 Ergotron, Inc. rev. 10/08/2015 DIM-SV4X-Drawers Content is subject to change without notification

#### Americas Sales and Corporate Headquarters

St. Paul, MN USA  
(800) 888-8458  
+1-651-681-7600  
www.ergotron.com  
sales@ergotron.com

#### EMEA Sales

Amersfoort, The Netherlands  
+31 33 45 45 600  
www.ergotron.com  
info.eu@ergotron.com

#### APAC Sales

Tokyo, Japan  
www.ergotron.com  
apaccustomerservice@ergotron.com

#### Worldwide OEM Sales

www.ergotron.com  
info.oem@ergotron.com

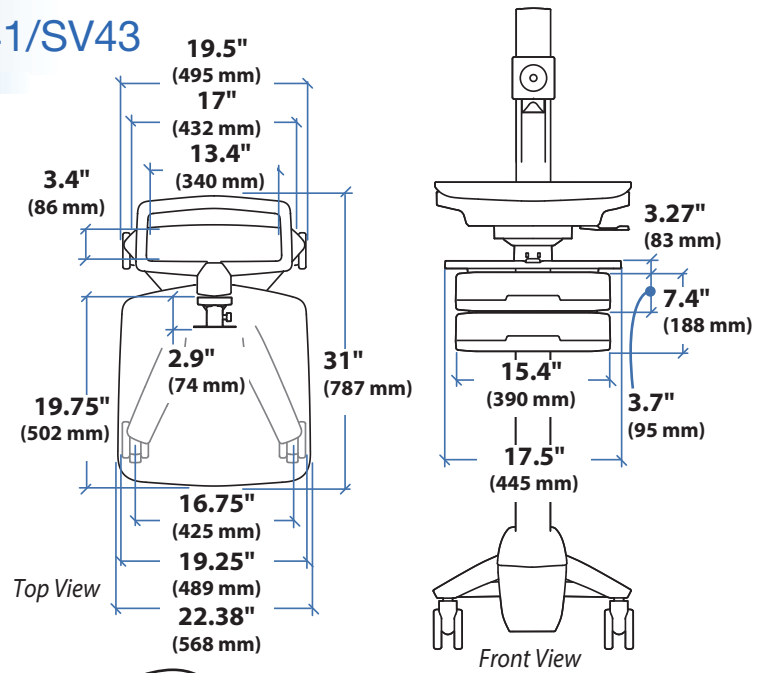
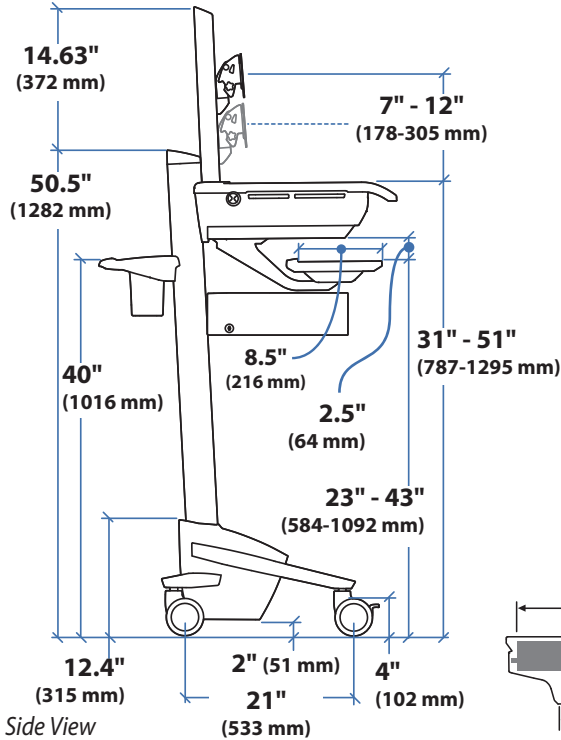


# Ergotron® StyleView Cart

Dimensional Illustrations

## StyleView® Cart with LCD Pivot, SV41/SV43

### Dimensions

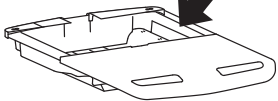


Side View

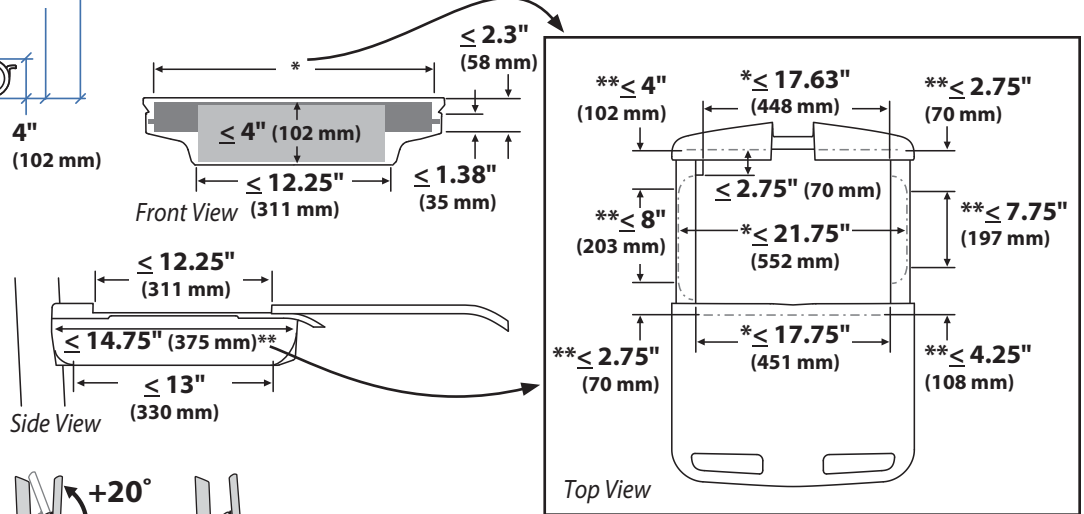
Top View

Front View

### CPU Compartment



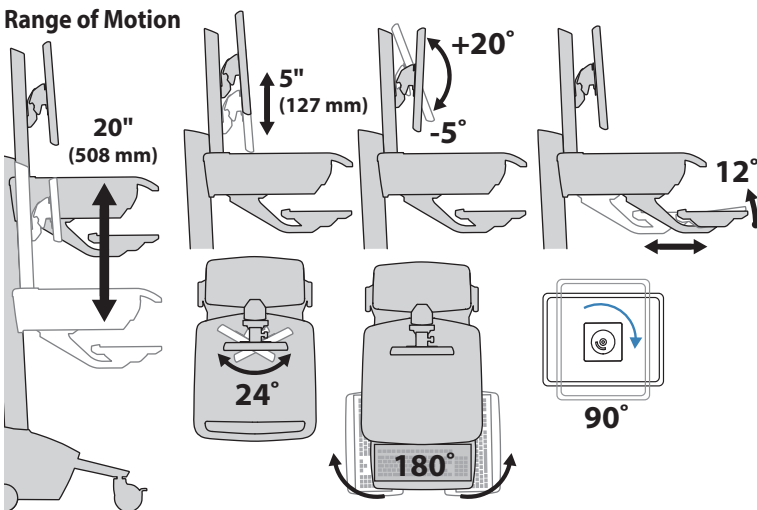
When figuring dimensions, include mounted accessories, protruding cables and port replicators or docking stations.



Side View

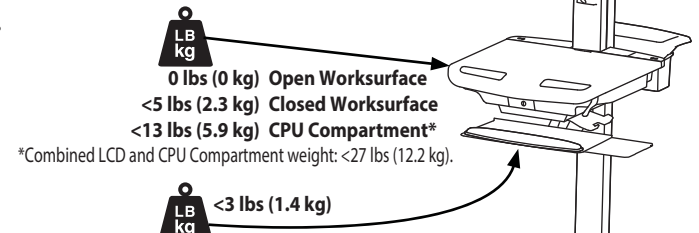
Top View

### Range of Motion



### Weight Capacity

With Independent LCD Lift:	Without Independent LCD Lift:
<14 lbs (6.4 kg)	20 lbs (9 kg)



\*Combined LCD and CPU Compartment weight: <27 lbs (12.2 kg).

If the combined LCD and CPU weight is greater than 27 lbs (12.2 kg) then the CPU must be mounted to the rear of the cart using the Universal CPU Holder accessory (ordered separately).

© 2014 Ergotron, Inc. rev. 10/08/2015 DIM-SV4X-Drawers Content is subject to change without notification

### Americas Sales and Corporate Headquarters

St. Paul, MN USA  
(800) 888-8458  
+1-651-681-7600  
www.ergotron.com  
sales@ergotron.com

### EMEA Sales

Amersfoort, The Netherlands  
+31 33 45 45 600  
www.ergotron.com  
info.eu@ergotron.com

### APAC Sales

Tokyo, Japan  
www.ergotron.com  
apaccustomerservice@ergotron.com

### Worldwide OEM Sales

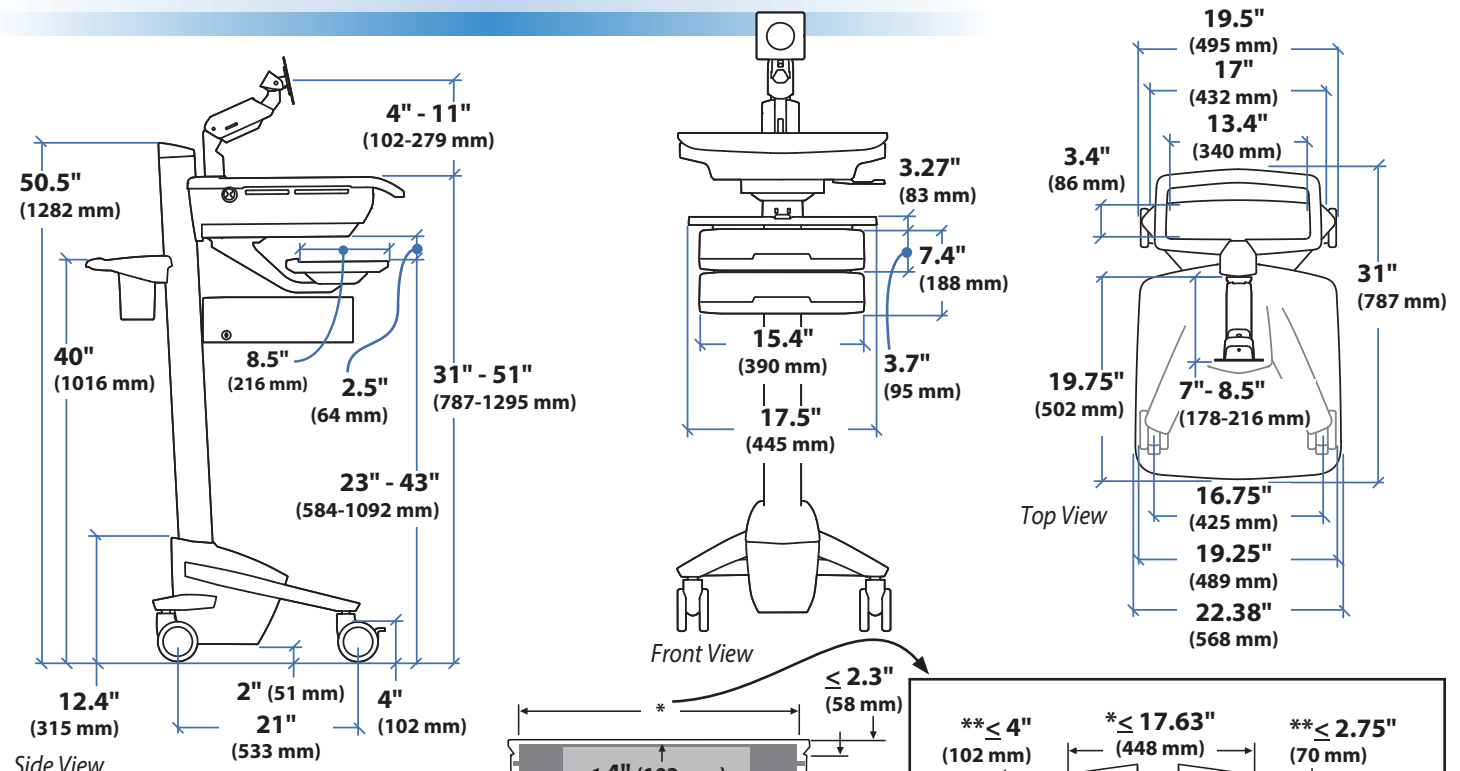
www.ergotron.com  
info.oem@ergotron.com



# Ergotron® StyleView Cart

Dimensional Illustrations

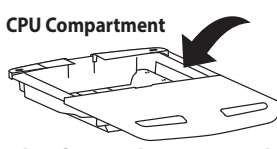
## StyleView® Cart with LCD Arm SV41/SV43



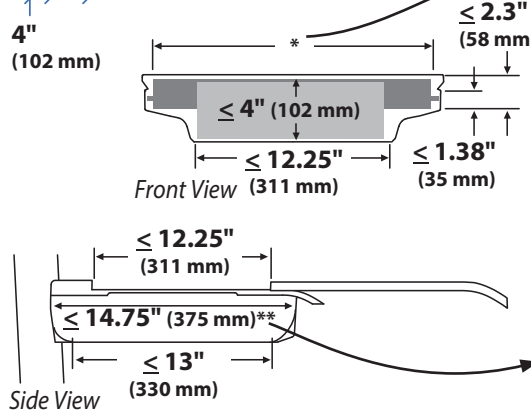
Side View

Front View

Top View

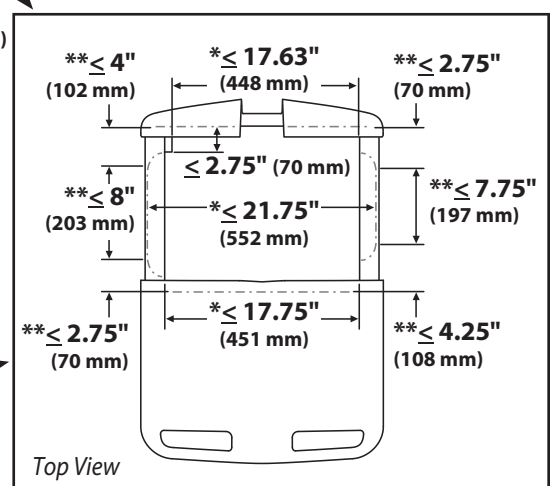


When figuring dimensions, include mounted accessories, protruding cables and port replicators or docking stations.



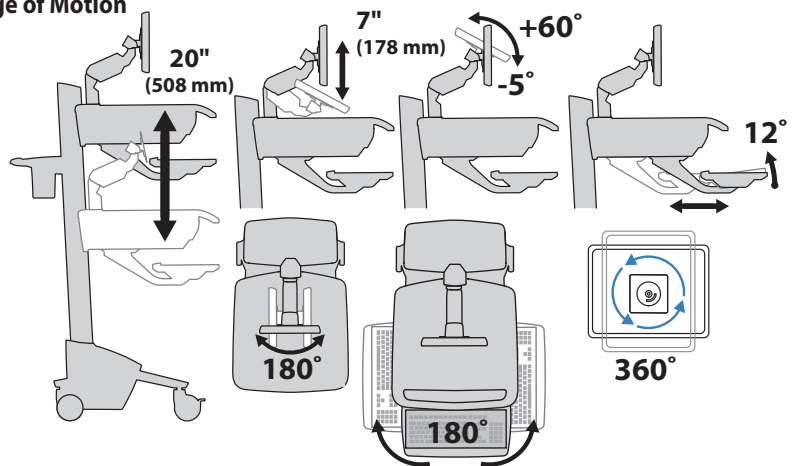
Front View

Side View

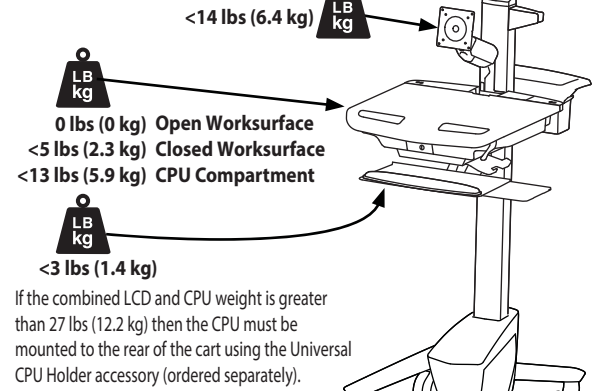


Top View

### Range of Motion



### Weight Capacity



© 2014 Ergotron, Inc. rev. 10/08/2015 DIM-SV4X-Drawers Content is subject to change without notification

#### Americas Sales and Corporate Headquarters

St. Paul, MN USA  
(800) 888-8458  
+1-651-681-7600  
www.ergotron.com  
sales@ergotron.com

#### EMEA Sales

Amersfoort, The Netherlands  
+31 33 45 45 600  
www.ergotron.com  
info.eu@ergotron.com

#### APAC Sales

Tokyo, Japan  
www.ergotron.com  
apaccustomerservice@ergotron.com

#### Worldwide OEM Sales

www.ergotron.com  
info.oem@ergotron.com



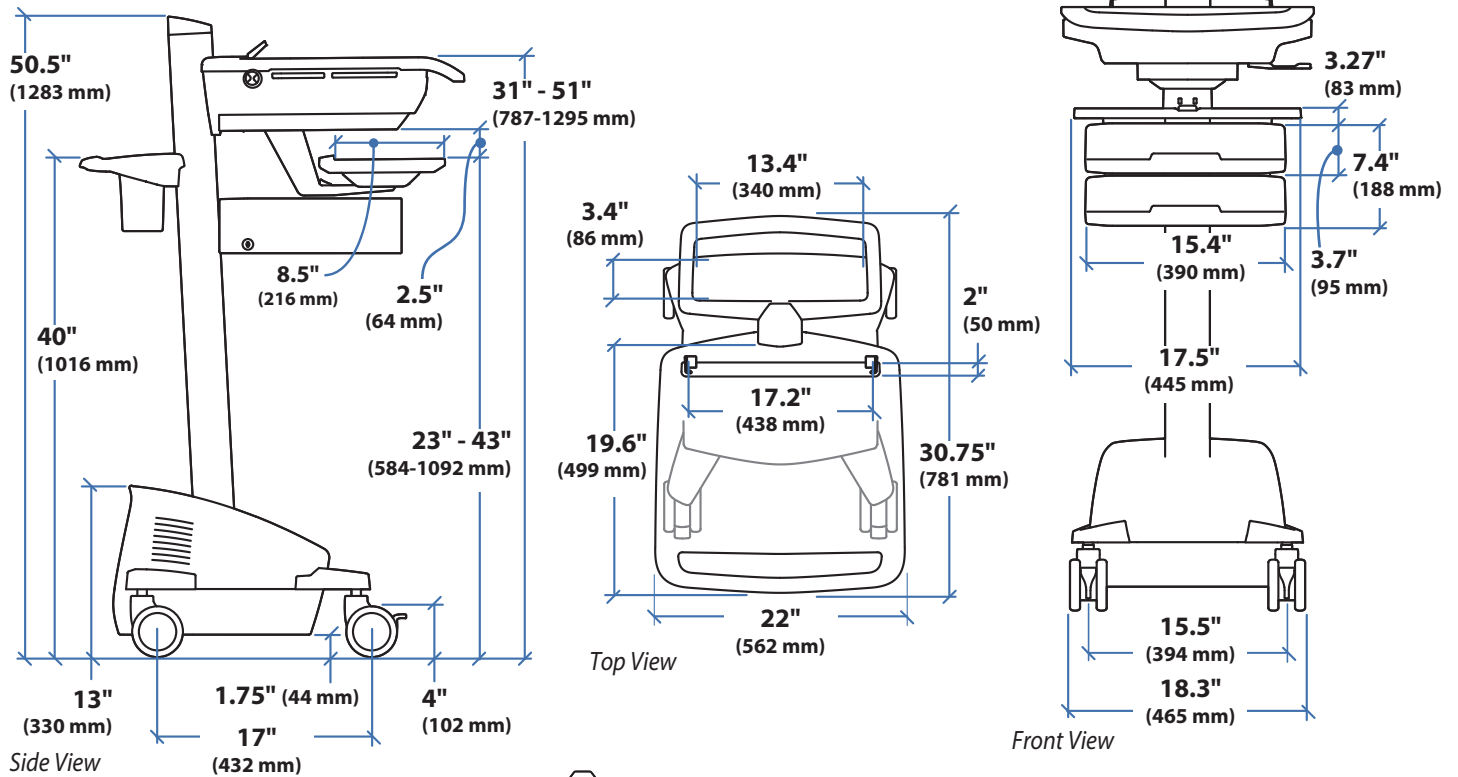


# Ergotron® StyleView Cart

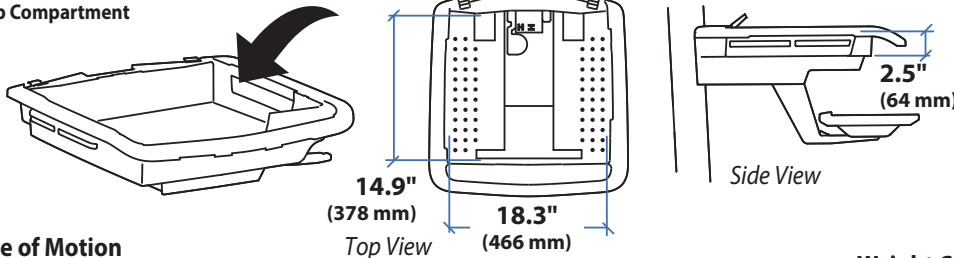
Dimensional Illustrations

## StyleView® Laptop Cart, Powered SV42/SV44

### Dimensions

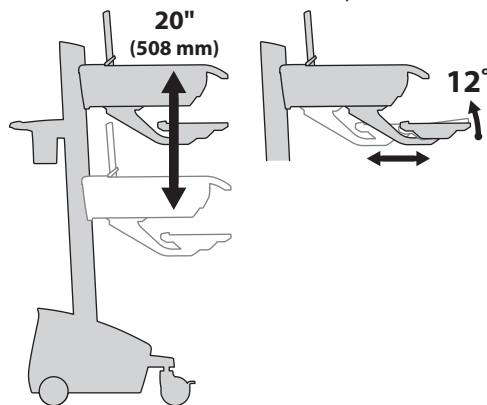


### Laptop Compartment



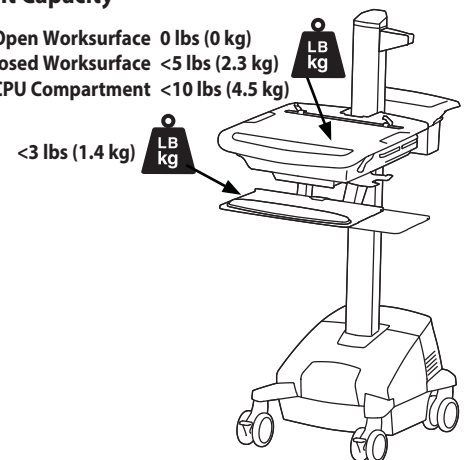
When figuring dimensions, include mounted accessories, protruding cables and port replicators or docking stations.

### Range of Motion



### Weight Capacity

- Open Worksurface 0 lbs (0 kg)
- Closed Worksurface <5 lbs (2.3 kg)
- CPU Compartment <10 lbs (4.5 kg)



© 2014 Ergotron, Inc. rev. 10/08/2015 DIM-SV4X-Drawers Content is subject to change without notification

#### Americas Sales and Corporate Headquarters

St. Paul, MN USA  
(800) 888-8458  
+1-651-681-7600  
www.ergotron.com  
sales@ergotron.com

#### EMEA Sales

Amersfoort, The Netherlands  
+31 33 45 45 600  
www.ergotron.com  
info.eu@ergotron.com

#### APAC Sales

Tokyo, Japan  
www.ergotron.com  
apaccustomerservice@ergotron.com

#### Worldwide OEM Sales

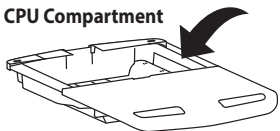
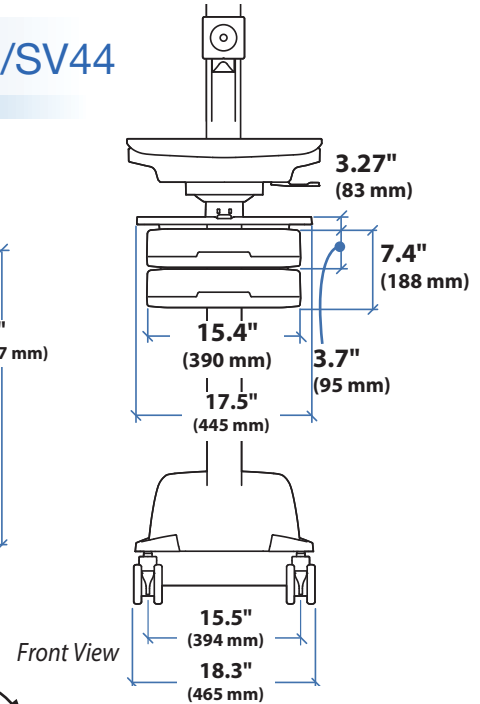
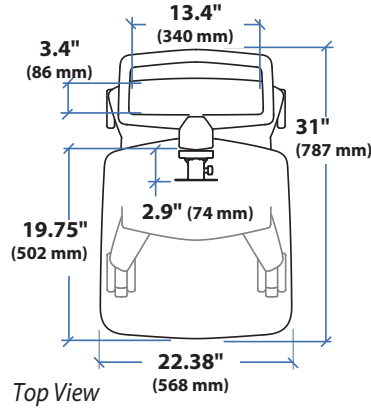
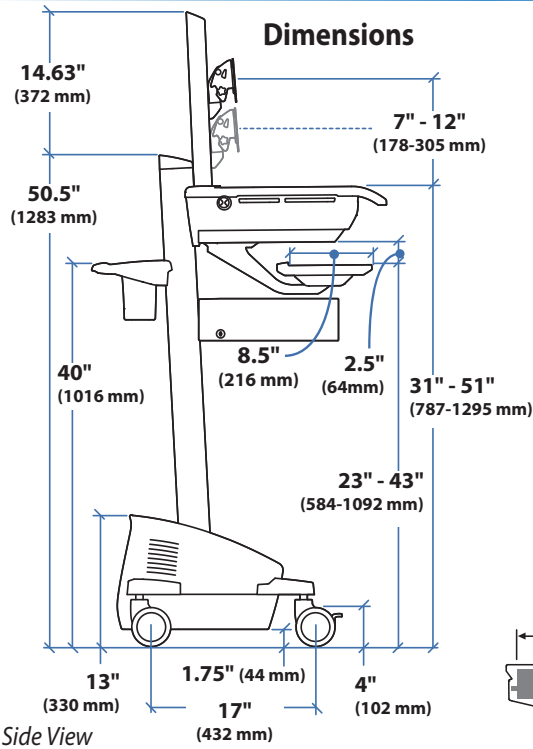
www.ergotron.com  
info.oem@ergotron.com



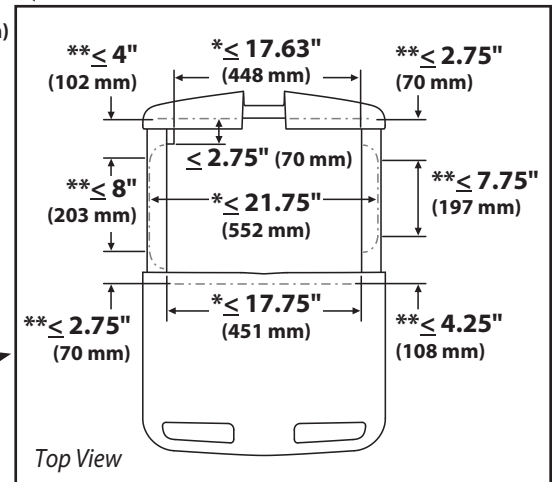
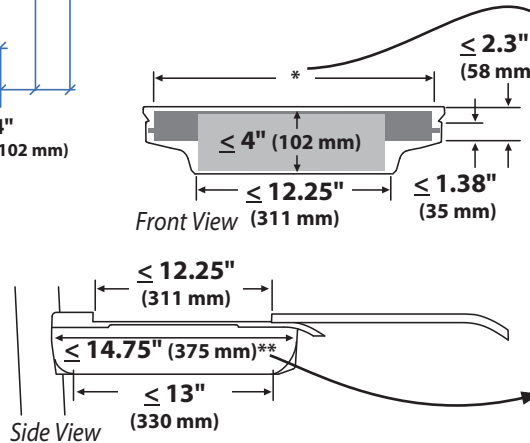
# Ergotron® StyleView Cart

## Dimensional Illustrations

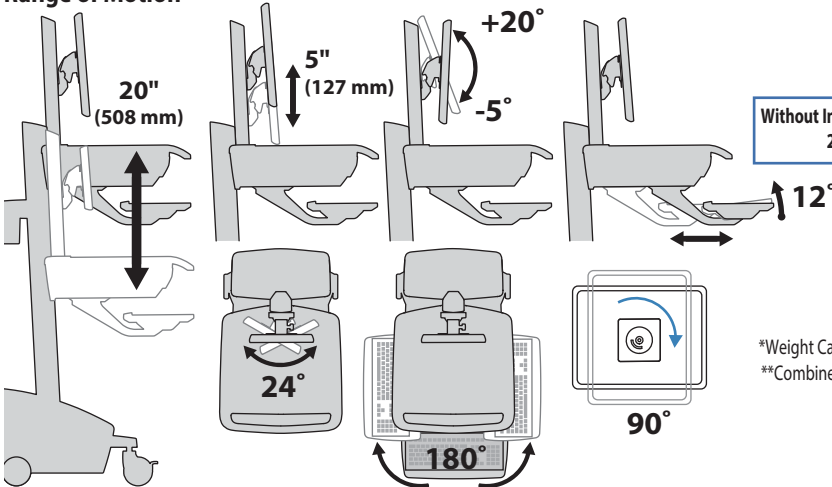
### StyleView® Cart with LCD Pivot, Powered SV42/SV44



When figuring dimensions, include mounted accessories, protruding cables and port replicators or docking stations.



### Range of Motion



### Weight Capacity

Without Independent LCD Lift: 20 lbs (9 kg)  
 With Independent LCD Lift: 6-14 lbs (2.7-6.4 kg)  
 Carts with LiFe Power System: 5-11 lbs (2.3-5 kg)

0 lbs (0 kg) Open Worksurface  
 <5 lbs (2.3 kg) Closed Worksurface\*  
 <13 lbs (5.9 kg) CPU Compartment\*\*

\*Weight Capacity for carts with LiFe Power System is <3 lbs (1.4kg).  
 \*\*Combined LCD and CPU Compartment weight: <27 lbs (12.2 kg).

<3 lbs (1.4 kg)

If the combined LCD and CPU weight is greater than 27 lbs (12.2 kg) then the CPU must be mounted to the rear of the cart using the Universal CPU Holder accessory (ordered separately).

© 2014 Ergotron, Inc. rev. 10/08/2015 DIM-SV4X-Drawers Content is subject to change without notification

#### Americas Sales and Corporate Headquarters

St. Paul, MN USA  
 (800) 888-8458  
 +1-651-681-7600  
 www.ergotron.com  
 sales@ergotron.com

#### EMEA Sales

Amersfoort, The Netherlands  
 +31 33 45 45 600  
 www.ergotron.com  
 info.eu@ergotron.com

#### APAC Sales

Tokyo, Japan  
 www.ergotron.com  
 apaccustomerservice@ergotron.com

#### Worldwide OEM Sales

www.ergotron.com  
 info.oem@ergotron.com

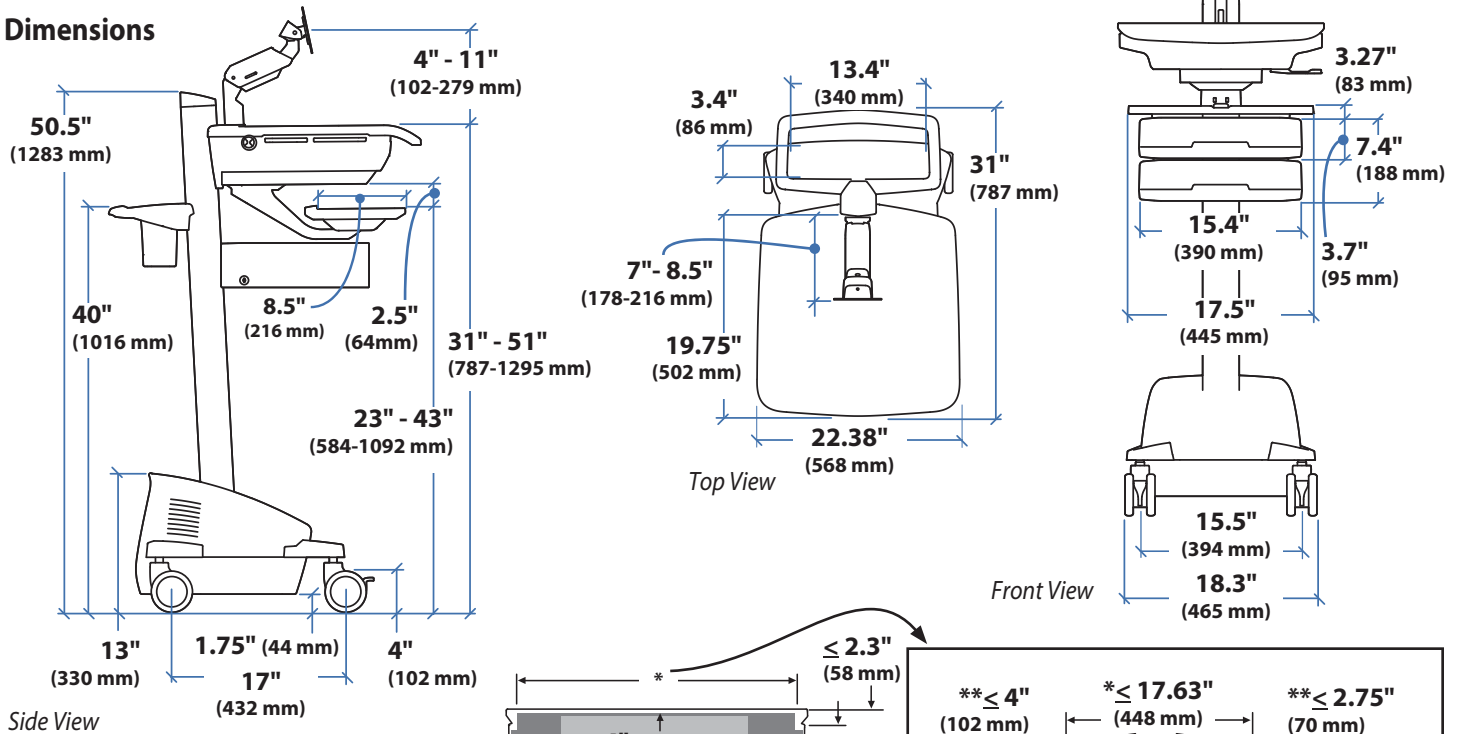


# Ergotron® StyleView Cart

Dimensional Illustrations

## StyleView® Cart with LCD Arm, Powered SV42/SV44

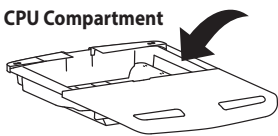
### Dimensions



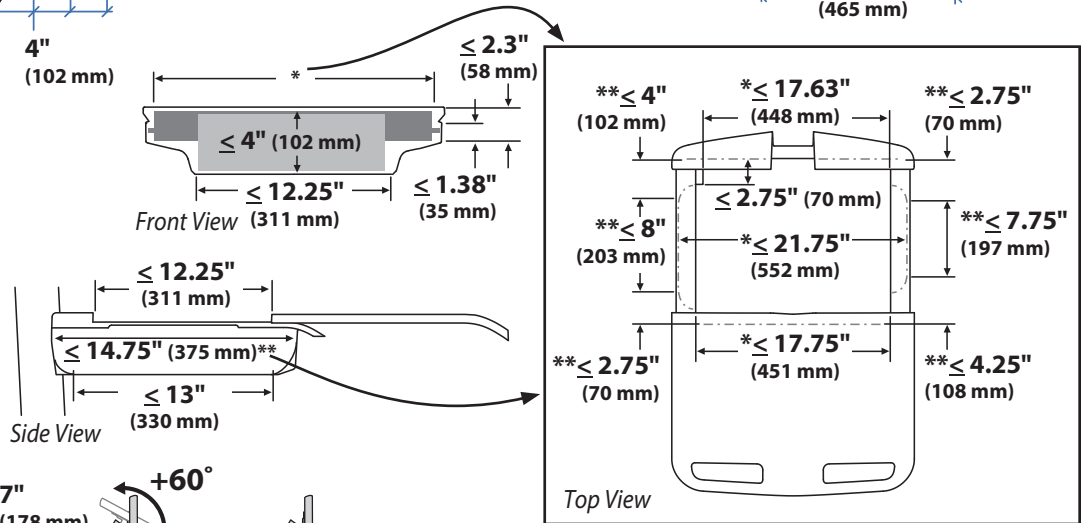
Side View

Top View

Front View



When figuring dimensions, include mounted accessories, protruding cables and port replicators or docking stations.

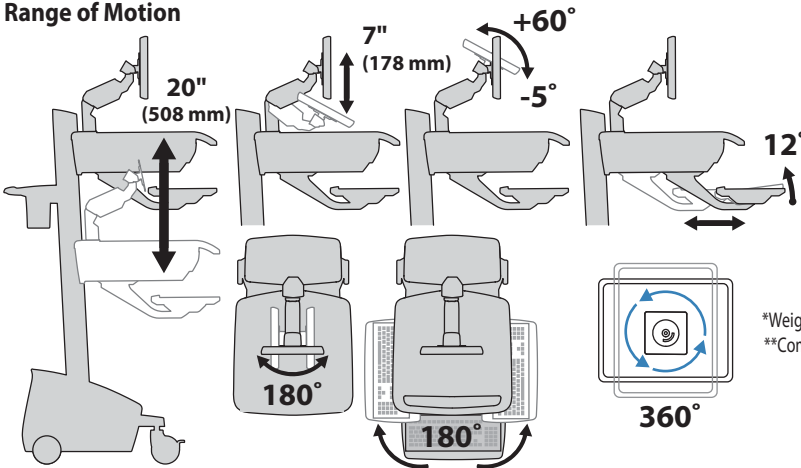


Front View

Side View

Top View

### Range of Motion



**Weight Capacity: <14 lbs (6.4 kg)**

**Carts with LiFe Power System: 5-11 lbs (2.3-5 kg)**

**0 lbs (0 kg) Open Worksurface**  
**<5 lbs (2.3 kg) Closed Worksurface\***  
**<13 lbs (5.9 kg) CPU Compartment\*\***

\*Weight Capacity for carts with LiFe Power System is <3 lbs (1.4kg).

\*\*Combined LCD and CPU Compartment weight: <27 lbs (12.2 kg).

**<3 lbs (1.4 kg)**

If the combined LCD and CPU weight is greater than 27 lbs (12.2 kg) then the CPU must be mounted to the rear of the cart using the Universal CPU Holder accessory (ordered separately).

© 2014 Ergotron, Inc. rev. 10/08/2015 DIM-SV4X-Drawers Content is subject to change without notification

**Americas Sales and Corporate Headquarters**

St. Paul, MN USA  
 (800) 888-8458  
 +1-651-681-7600  
 www.ergotron.com  
 sales@ergotron.com

**EMEA Sales**

Amersfoort, The Netherlands  
 +31 33 45 45 600  
 www.ergotron.com  
 info.eu@ergotron.com

**APAC Sales**

Tokyo, Japan  
 www.ergotron.com  
 apaccustomerservice@ergotron.com

**Worldwide OEM Sales**

www.ergotron.com  
 info.oem@ergotron.com

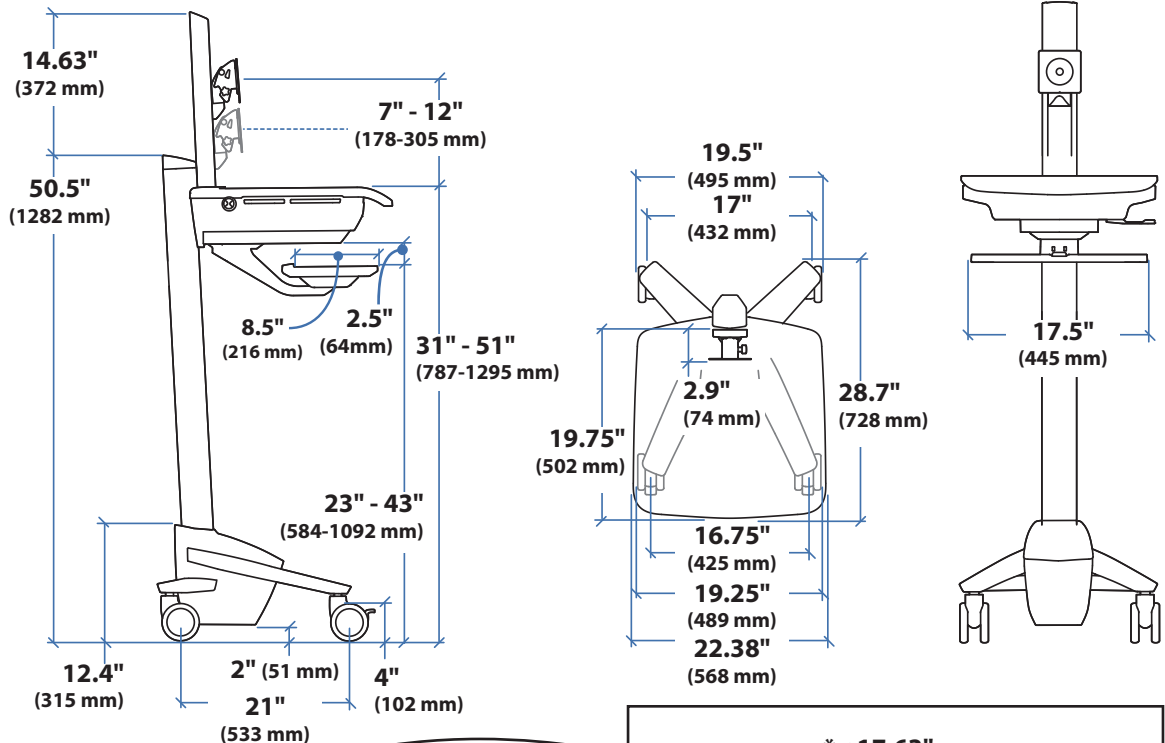




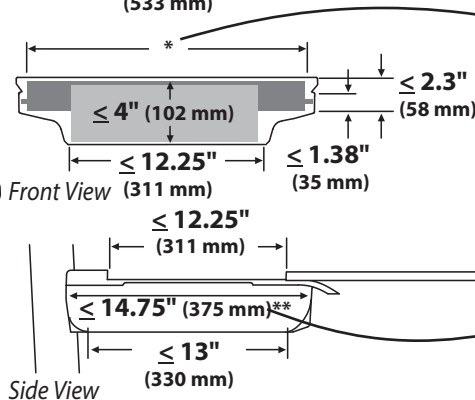
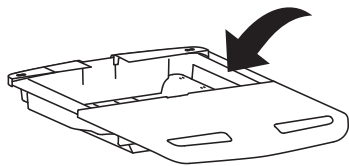
# Ergotron® StyleView Cart

## StyleView® Cart with LCD Pivot, SV40

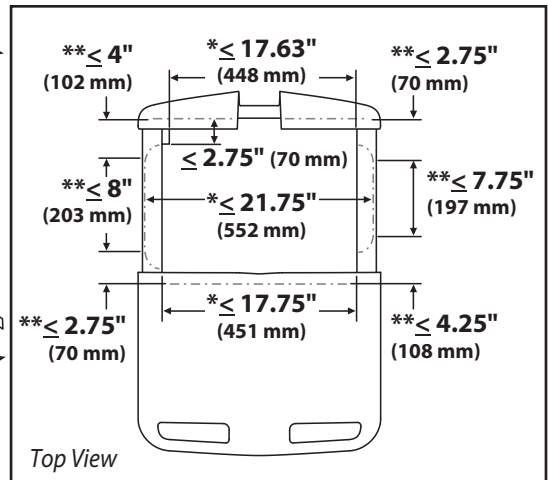
### Dimensions



### CPU Compartment

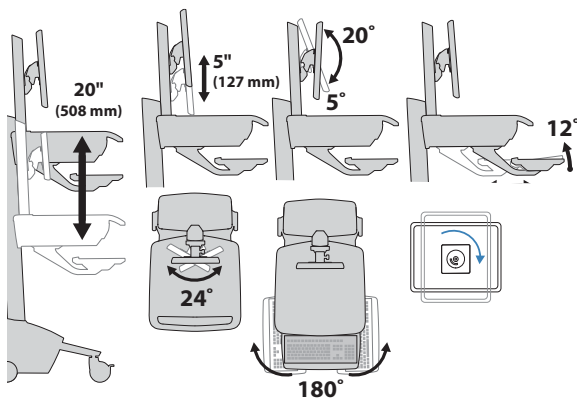


When figuring dimensions, include mounted accessories, protruding cables and port replicators or docking stations.



### Weight Capacity

With Independent LCD Lift: <14 lbs (6.4 kg)	Without Independent LCD Lift: 20 lbs (9 kg)
--	--



0 lbs (0 kg) Open Worksurface  
 <5 lbs (2.3 kg) Closed Worksurface  
 <13 lbs (5.9 kg) CPU Compartment

Combined LCD and CPU Compartment weight: <27 lbs (12.2 kg).  
 If the combined LCD and CPU weight is greater than 27 lbs (12.2 kg) then the CPU must be mounted to the rear of the cart using the Universal CPU Holder accessory (ordered separately).

© 2014 Ergotron, Inc. rev. 10/08/2015 DIM-SV4X-Drawers Content is subject to change without notification

### Americas Sales and Corporate Headquarters

St. Paul, MN USA  
 (800) 888-8458  
 +1-651-681-7600  
 www.ergotron.com  
 sales@ergotron.com

### EMEA Sales

Amersfoort, The Netherlands  
 +31 33 45 45 600  
 www.ergotron.com  
 info.eu@ergotron.com

### APAC Sales

Tokyo, Japan  
 www.ergotron.com  
 apaccustomerservice@ergotron.com

### Worldwide OEM Sales

www.ergotron.com  
 info.oem@ergotron.com

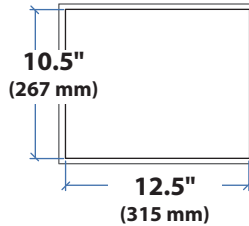
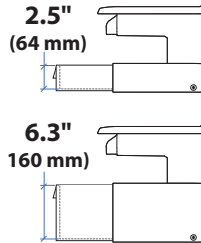
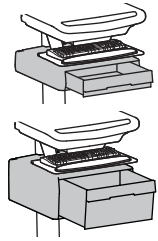


# Ergotron® StyleView Cart

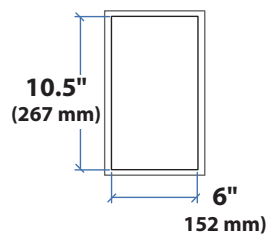
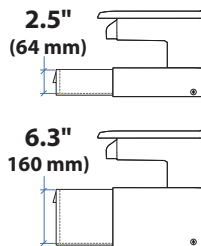
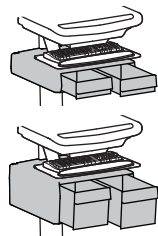
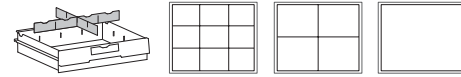
Dimensional Illustrations

## StyleView® Cart Auto-Lock Drawer

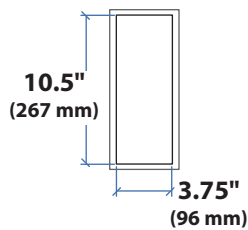
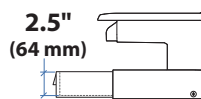
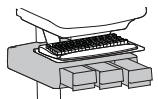
### Dimensions



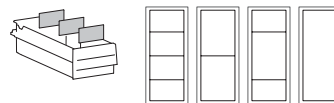
**LB kg** Total weight capacity per drawer.  
≤ 2 lbs (1 kg)



**LB kg** Total weight capacity per drawer.  
≤ 1 lbs (0.5 kg)



**LB kg** Total weight capacity per drawer.  
≤ 0.25 lbs (0.1 kg)



© 2014 Ergotron, Inc. rev. 10/08/2015 DIM-SV4X-Drawers Content is subject to change without notification

#### Americas Sales and Corporate Headquarters

St. Paul, MN USA  
(800) 888-8458  
+1-651-681-7600  
www.ergotron.com  
sales@ergotron.com

#### EMEA Sales

Amersfoort, The Netherlands  
+31 33 45 45 600  
www.ergotron.com  
info.eu@ergotron.com

#### APAC Sales

Tokyo, Japan  
www.ergotron.com  
apaccustomerservice@ergotron.com

#### Worldwide OEM Sales

www.ergotron.com  
info.oem@ergotron.com

