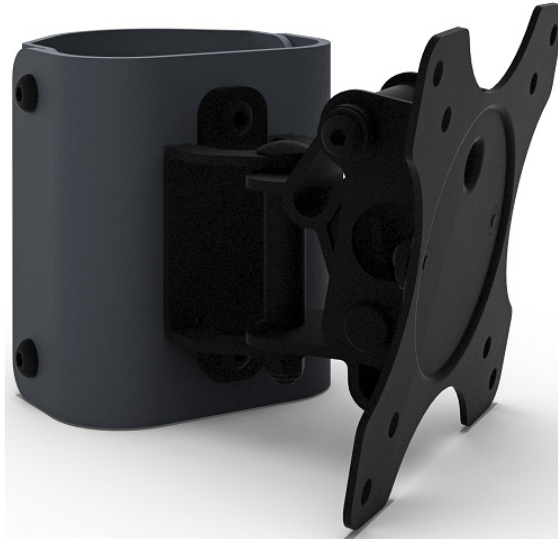


ASSEMBLY INSTRUCTIONS

Zido[®] Single Monitor Mount

Touchboards

205 Westwood Ave, Long Branch, NJ 07740
Phone: 866-94 BOARDS (26273) / (732)-222-1511
Fax: (732)-222-7088 | E-mail: sales@touchboards.com

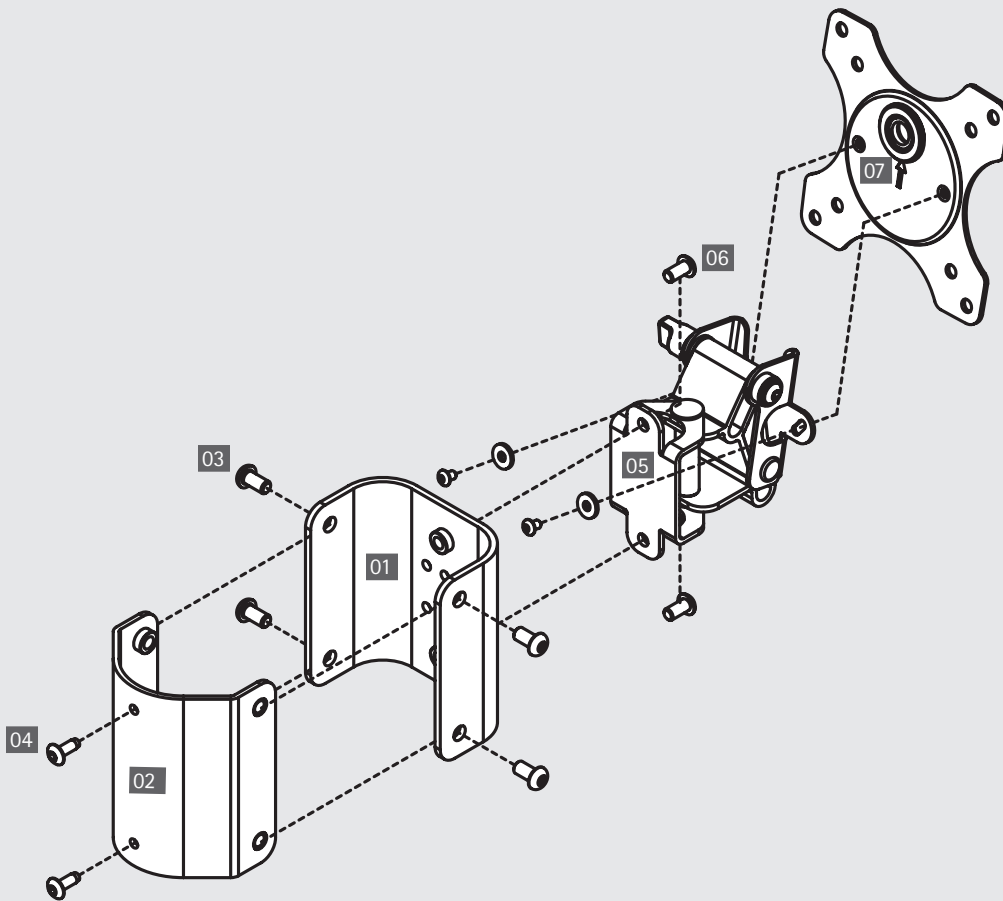


Product	Part#
Zido Single Monitor Mount	ZOMSzz



Anthro | 10450 SW Manhasset Dr. | Tualatin, OR 97062
Toll-free: 800.325.3841 | Fax: 800.325.0045 | email: sales@anthro.com | anthro.com
Outside the U.S. | Tel: 503.691.2556 | Fax: 503.691.2409

March 2016



WELCOME

Thank you for purchasing the Zido Single Monitor Mount.

If you have any questions or if we can help you in any way, please contact us at 800.325.3841.

A 5/32" hex driver (provided with your Zido Cart) is required for this assembly.

PARTS LIST

Before beginning assembly of your Zido Single Monitor Mount, please review the parts list to verify that your shipment is complete.

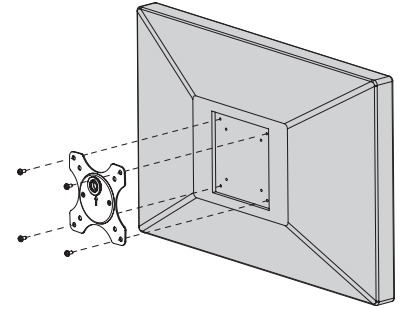
Zido Pole Flat Panel Mount, Single	Quantity	Part Number
01 Outer Bracket	1	225-2661-00
02 Inner Bracket	1	225-2980-00
03 1/4-20 x 1/2" Button Head Screw	4	325-5003-00
04 #10-24 x 1/2" Self-threading Screw	2	325-5464-00
05 OmniMount Small Tilt/Pan Mount	1	835-5764-00
06 M6 x 12mm Button-head Screw	2	325-5757-00
07 OmniMount VESA Plate	1	697-915-00
08 Flat Pattern Hardware Kit (not shown)	1	697-563-00
M4 x 12mm Philips Head Screw	4	M-A
M5 x 12mm Philips Head Screw	4	M-B
<i>(not needed in assembly)</i>		
M6 x 12mm Philips Head Screw	4	M-C
<i>(not needed in assembly)</i>		
09 OmniMount Hardware Kit (not shown)	1	697-878-00
Security Allen Screw	2	P-C
Washer	2	P-D
Allen Wrench	1	P-E

Fastener quantities listed are the minimum needed for your assembly. Your shipment may contain a few extras.

STEP 1

Attach the VESA plate to your monitor

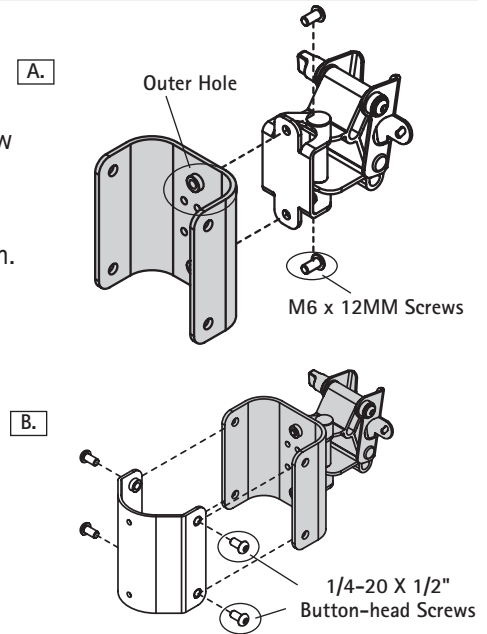
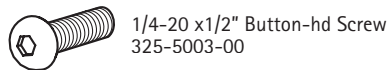
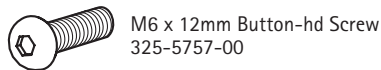
- Place the VESA bracket in position on the back of the monitor. Attach using four M4 x 12MM Screws (part #M-A) provided in the plastic bag. The VESA bracket accommodates 75mm and 100mm hole patterns. For this installation, you may also use the screws that came with your monitor.



STEP 2

Assemble the Brackets

- Align the Tilt/Pan Mount with the 2 outer holes that are directly above and below the 6 small holes in the center of the outer bracket. Secure using 2 M6 x 12mm Button-head Screws using the 5/32" hex key. (A)
- Slide the inner bracket into the outer bracket so that the holes on each side align. Using the 5/32" hex key, secure with 4 1/4-20 x 1/2" Button-head Screws. (B)



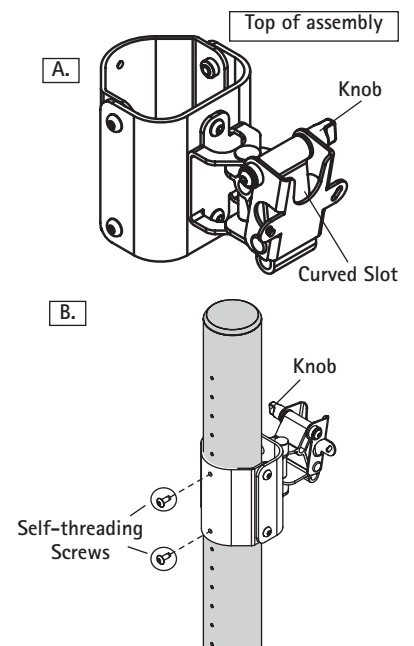
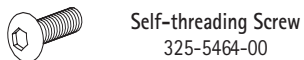
STEP 3

Install the Brackets and the Monitor

- Slip the bracket assembly over the top of the Zido tube, with the assembly facing the front of the cart. Be sure the assembly is installed right side up, with the curved slot being at the top of the assembly (A). Secure with 2 self-threading screws. (B).

Note: These fasteners are creating the threads in the tube, so the first few turns will require some force.

- Lift the monitor into place in front of the Tilt/Pan Mount. Slide the VESA bracket into the curved slot in the Tilt/Pan Mount.
- Secure the monitor to the Tilt/Pan Mount using 2 Security Allen Screws (part # P-C) using the Allen Wrench (part #P-E), making sure to place a washer (part #P-D) between the screw and the VESA plate.
- To adjust the position of the monitor, loosen the knob on the side of the Tilt/Pan Mount to adjust and tighten again when the monitor is in the desired position.



CONGRATULATIONS!
YOUR ZIDO SINGLE MONITOR MOUNT ASSEMBLY IS COMPLETE!



Anthro | 10450 SW Manhasset Dr. | Tualatin, OR 97062
Toll-free: 800.325.3841 | Fax: 800.325.0045 | email: sales@anthro.com | anthro.com
Outside the U.S. | Tel: 503.691.2556 | Fax: 503.691.2409



Warranty:

For warranty information, please visit: anthro.com/support/warranty

Notices:

Anthro logo is a registered trademark of Ergotron, Inc. © 1994 - 2016; Anthro-DNA is a trademark of Ergotron Inc., © 2016.
All rights reserved. Anthro is also a brand of Ergotron Inc., a Nortek company.