

# Touchboards

205 Westwood Ave, Long Branch, NJ 07740  
Phone: 866-94 BOARDS (26273) / (732)-222-1511  
Fax: (732)-222-7088 | E-mail: sales@touchboards.com

## ASSEMBLY INSTRUCTIONS

# eNook® II



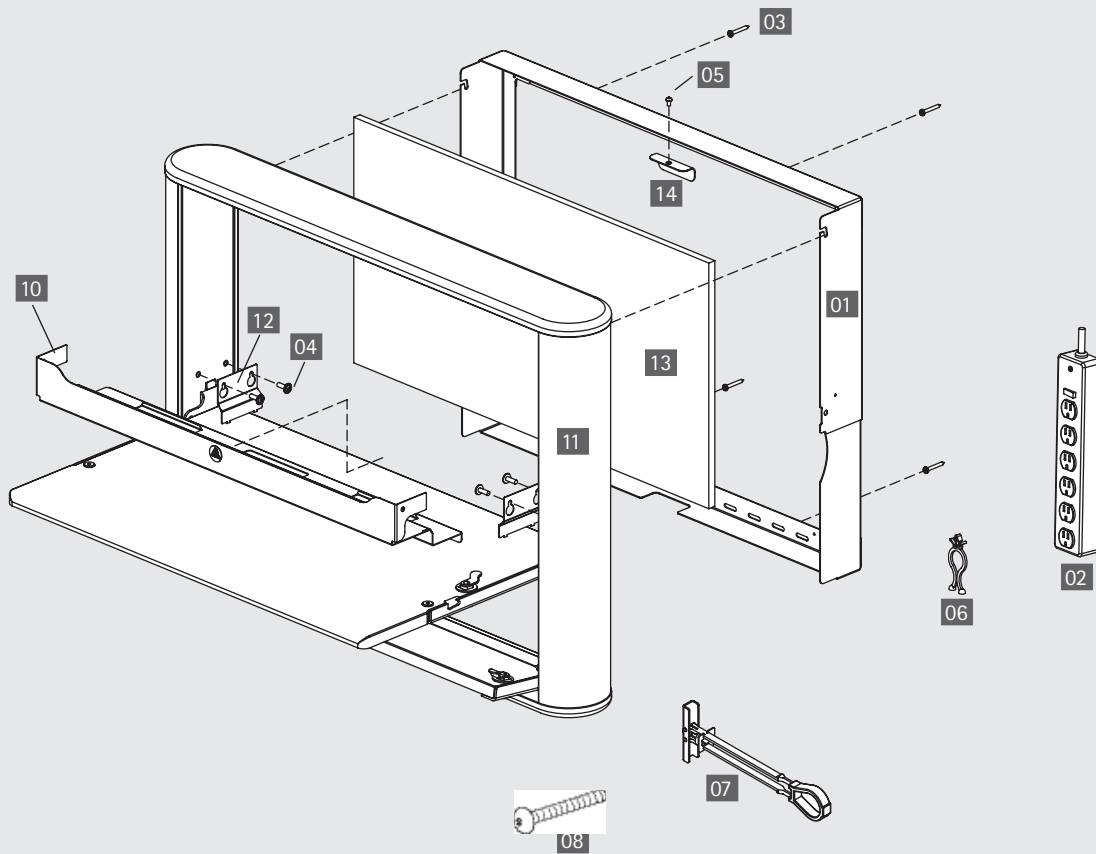
Part Number: EK3616zz/xx

NOTE: The eNook additional shelves shown above are not included.



Anthro Corporation® | 10450 SW Manhasset Dr. | Tualatin, OR 97062  
Toll-free: 800.325.3841 | Fax: 800.325.0045 | email: sales@anthro.com | anthro.com  
Outside the U.S. | Tel: 503.691.2556 | Fax: 503.691.2409

January 2007



## WELCOME

Thank you for purchasing eNook®!  
This installation is a two person job.

If you have any questions or if we can help you in any way, please contact us at 800.325.3841.

**NOTE:** We provide do-it-yourself hardware and instructions for installation to wood studs and dry wall. Your eNook can be mounted to other surfaces (like concrete and brick), and this work should be done by a qualified contractor.

## PARTS LIST

These instructions are for Anthro's eNook.™ Before beginning assembly, please take a moment to review the parts list below to verify that your shipment is complete.

The following tools are required but not included:

- Power Drill
- 1/8" drill bit (for mounting to wood wall studs)
- 1/2" drill bit (for mounting to drywall)
- Phillips screwdriver (or Phillips bit for your drill)
- Level
- Stud Finder (for mounting to drywall)

Product	Quantity	Part Number
01 eNook Wall Frame	1	225-2247-23
02 6 Outlet Surge Protector	1	400-5190-06
03 1.5" Screws	4	325-5358-00
04 Workstation Screws	4	325-5092-00
05 3/8" Screw	1	325-5172-00
06 Cable Clips	6	175-5217-00
07 Toggle Bolt Dry Wall Anchor	4	325-5394-00
08 1-5/8" Screws	4	325-5086-00
09 Anthro Hex Driver (not shown)	1	375-5000-00
10 Cross Tray	1	225-2408-23
11 Main Unit	1	835-5200-xx
12 Pinch Cover	2	225-2418-23
13 Tack Board	1	100-6603-xx
14 Tack Clip	1	225-2424-23

---

## STEP 1

### Select the Mounting Location

- When choosing the right place to install your eNook, be sure to check the location of your power source. The power cord that comes with your eNook is 6 ft long.
- Your eNook can be mounted to drywall or to wood wall studs. If you're installing to wood wall studs, go to Step 2.
- If you're installing into drywall, go to Step 7

---

## STEP 2

### Find Wall Studs

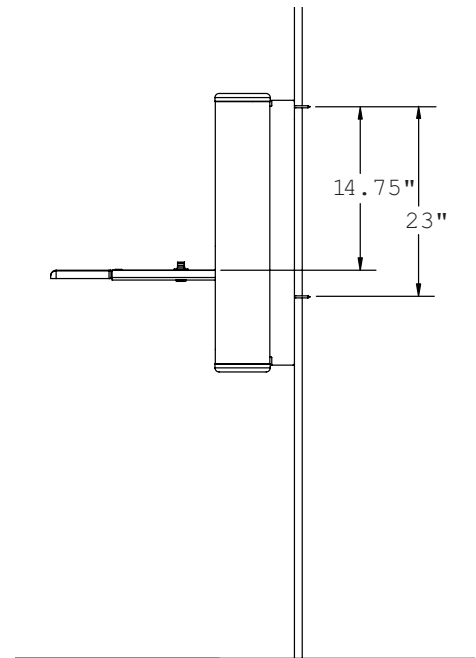
- Using a stud finder, locate the studs to which you'll attach your eNook.

---

## STEP 3

### Determine Mounting Point

- Determine the optimal desk height for your eNook. Typical sitting height is about 29" high; typical standing height is about 42" high.
- Measure up 14-3/4" from the shelf height and mark that point on one stud.

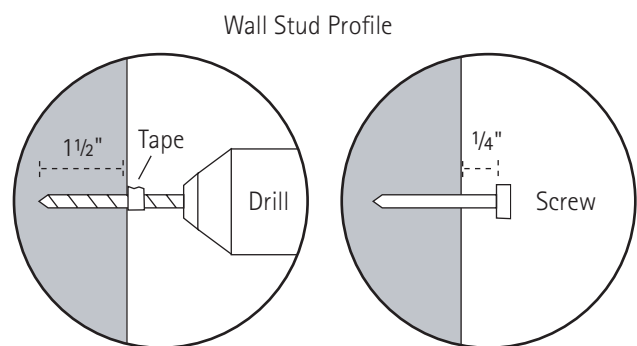


---

## STEP 4

### Attach Screws to Wall Studs

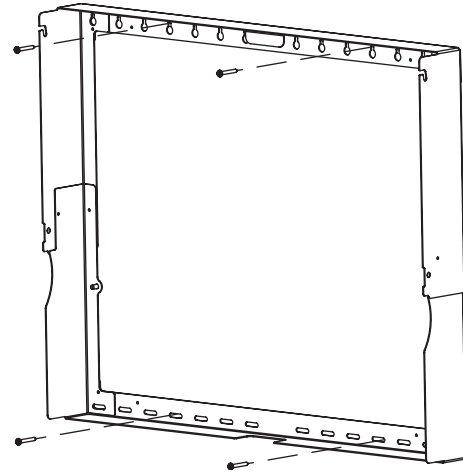
- Using a 1/8" drill bit, drill one hole in a stud about 1-1/2" deep. How do you make sure that hole is 1-1/2" deep? Measure that length on your drill bit and mark it with a piece of masking tape. Stop drilling when you reach the masking tape.
- Using a Phillips driver (or a power driver with a Phillips bit), attach the first 1-1/2" long screw at that mounting point, but don't tighten all the way to the wall. Stop tightening when the screw head is about 1/4" away from wall.



## STEP 5

### Lift eNook Frame onto screws

- Lift the eNook frame onto the first mounting screw. Keyhole slots on the frame are spaced every 2", so you can position the eNook where you want it.
- While one person holds the eNook frame level, the second person marks the installation point of the second 1-1/2" long screw. Make sure that the second screw goes into a stud, too!
- Remove the frame from the wall and drill the second hole with the 1/8" drill bit.
- Using a Phillips driver, attach the second 1-1/2" long screw. Stop tightening when the screw head is about 1/4" away from the wall.
- Lift the frame onto the two mounting screws.



## STEP 6

### Attach Lower Screws to Studs

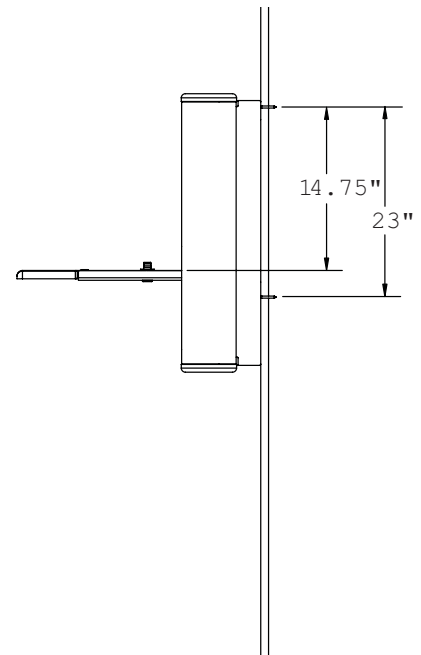
- Once the frame is on the wall, mark the mounting points for lower screws into the same studs.
- Using the 1/8" drill bit, drill one hole in each stud about 1-1/2" deep.
- Attach the 1-1/2" long screws and tighten all four screws fully so that the Frame is snug against the wall.

*Proceed to Step 11*

## STEP 7

### Determine the Mounting Point on Drywall

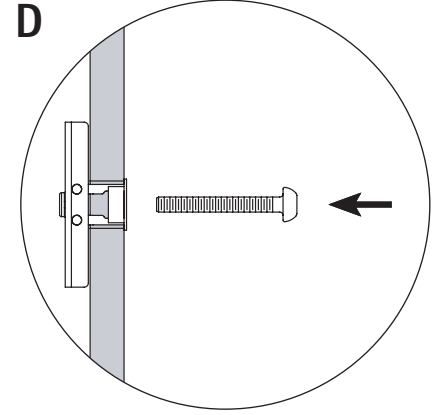
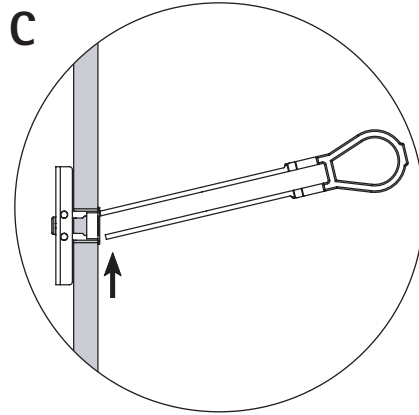
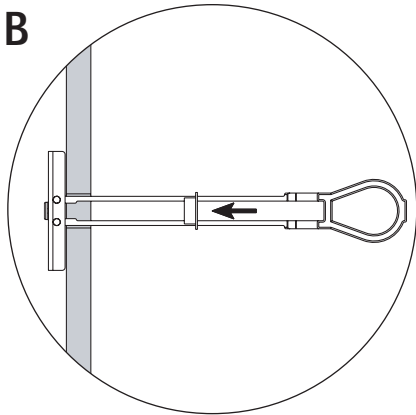
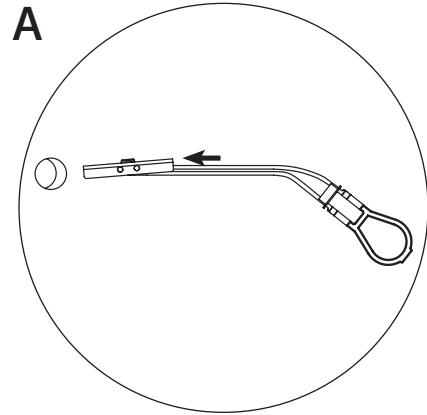
- Determine the optimal desk height for the eNook work surface, refer to image for typical shelf heights.
- Measure up 14-3/4" from the shelf height and mark that point on one stud. That's the upper mounting height.
- Once you determine the right height for your eNook mark one mounting point hole location. When choosing the first mounting point, remember that the two upper mounting points should be at least 16" apart to keep the eNook stable. To help you visualize where eNook will be on your wall, use the eNook Frame as a template.



## STEP 8

### Install one TOGGLER™ for Drywall Installation

- Drill 1/2" diameter hole in your wall at the mounting point.
- Insert a TOGGLER into a hole, metal end first.
- Pull the plastic ring end so the metal channel rests flush behind the wall. With your other hand, slide the plastic cap along the straps until the flange of the cap is flush with the wall.
- Place your thumb between the plastic straps. Push side to side, snapping off the straps at the wall.
- Insert a 1-5/8" long screw into the TOGGLER, but don't tighten all the way. Leave the bolt head about 1/4" from the plastic cap.

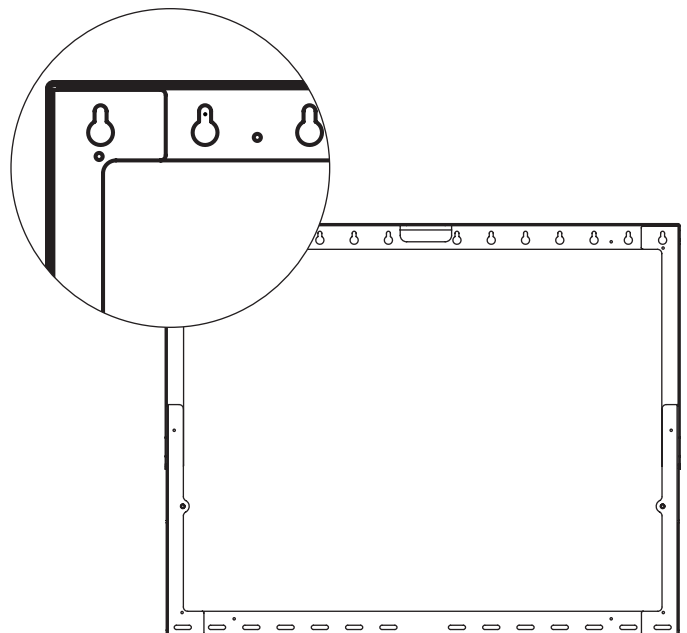


## STEP 9

### Install remaining TOGGLERS

*This is a two-person step!*

- Lift the eNook Frame onto the bolt. Using a level to make sure that the Frame is level, mark the second mounting point as shown. Be sure that you mark your spot in the center of the small keyhole!
- Mark the third and fourth mounting points along the bottom hole array. Set aside the Frame.
- Drill 1/2" diameter holes on the 2nd, 3rd, and 4th mounting points and install TOGGLERS as instructed above.



## STEP 10

### Insert Screw and Install Frame

- Insert one 1-5/8" long screw into the top two TOGGLEDs, but don't tighten all the way. Leave the screw head about 1/4" from the plastic cap.
- Lift the Frame onto the top two screws. Install the bottom two screws, then tighten down all four screws.

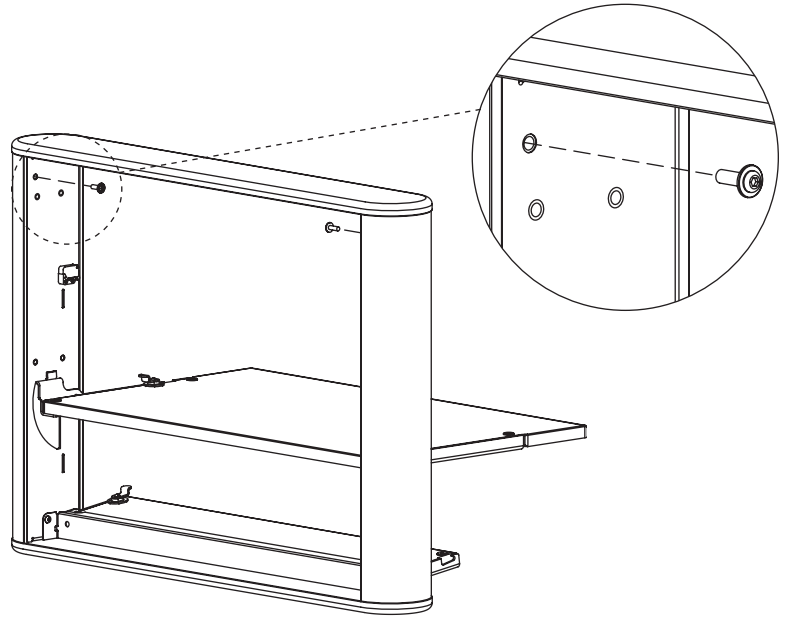
## STEP 11

### Install Two Fasteners onto Main Unit

- Using your Hex Driver, install two black Workstation Screws onto the side walls, but don't tighten all the way. Stop tightening when the screw head is about 1/4" from tight.



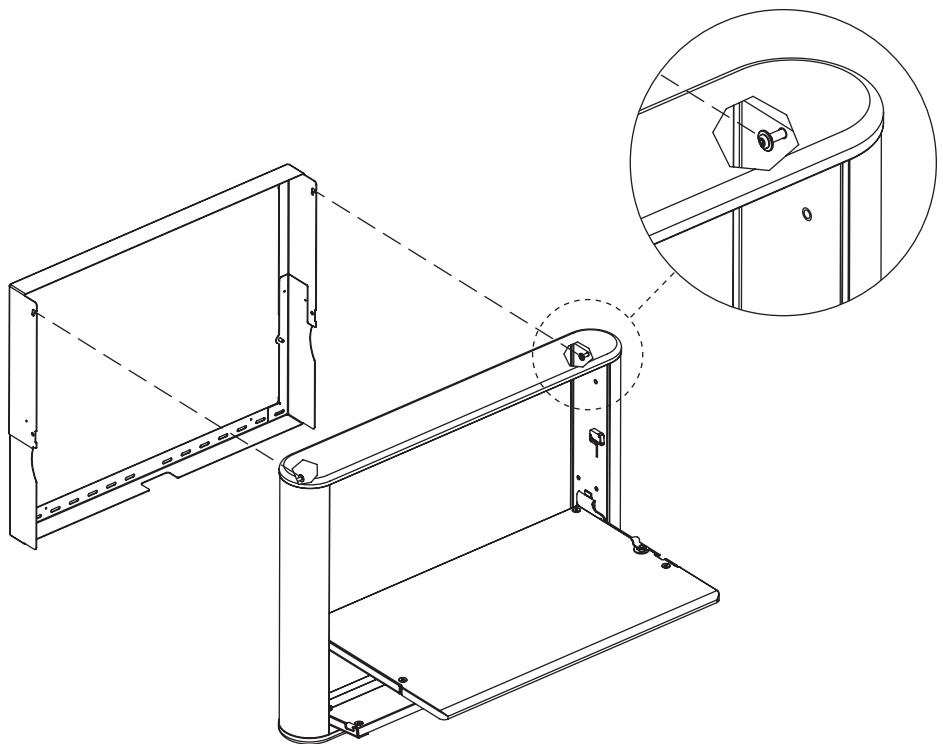
Workstation Screw  
325-5092-00



## STEP 12

### Attach Main Unit to Frame

- Open the top and bottom doors and find the angle slots on the Frame.
- Lift the Main Unit onto the Frame by aligning the two Workstation Screws on the Frame with the angle slots. Make sure that both fasteners are captured.
- Using a 5/32" hex driver, tighten down the workstation screws.



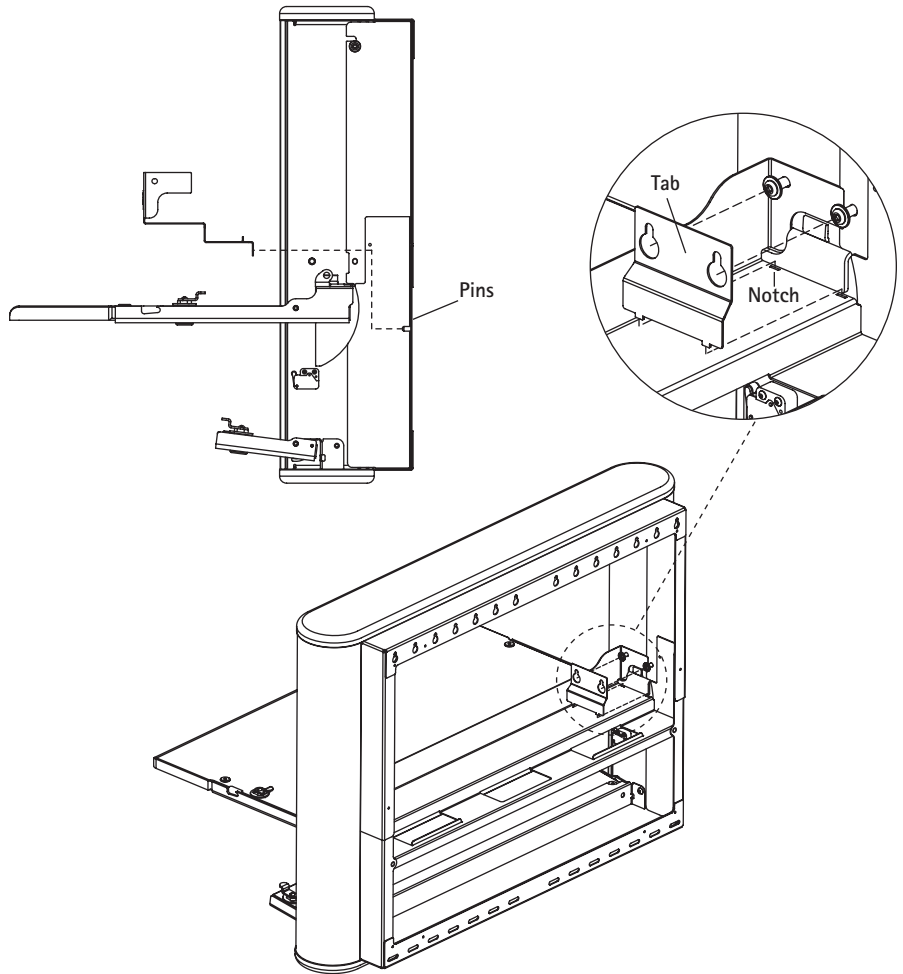
## STEP 13

### Insert the Bottom Tray

- Place the Bottom Tray on the eNook shelf so that the logo on the tray faces out.
- Align the 2 holes on the back of the Tray with the pins on the Frame.
- Slide the Tray into place. Attach the tray to the left and right of the frame using 4 workstation screws. Do not tighten these screws all the way.
- Install the cover plates, one on the left and one on the right of the Tray. Slide each Plate over the two workstation screws, then down to insert the tabs on the Plate into the notches on the Tray. Tighten the workstation screws.



Workstation Screw  
325-5092-00



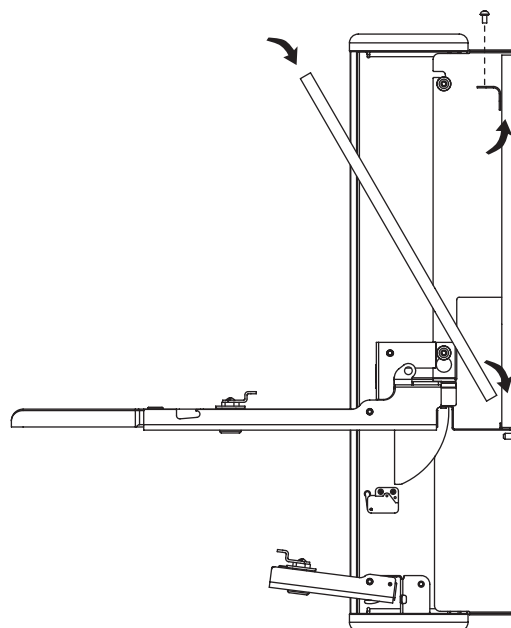
## STEP 14

### Insert the Back Panel

- Hold the Back Panel so that the fabric-covered side is facing you, long side up.
- Place the Panel into the eNook so that the bottom edge is resting on the bottom of the frame.
- Tip the top of the Panel into place and secure with the Tack Board Clip and a 3/8" Phillips head screw inserted through the top of the Frame.



3/8" Phillips Head Screw  
325-5172-00

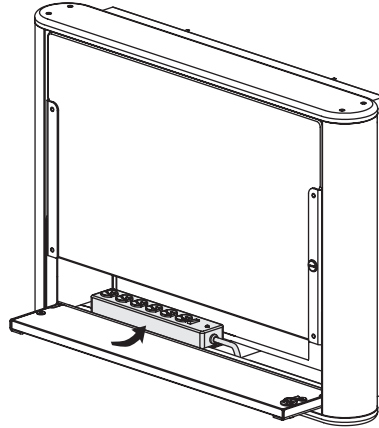


---

## STEP 15

### Insert Power Strip

- Open the bottom door on eNook and slide the Power Strip inside.

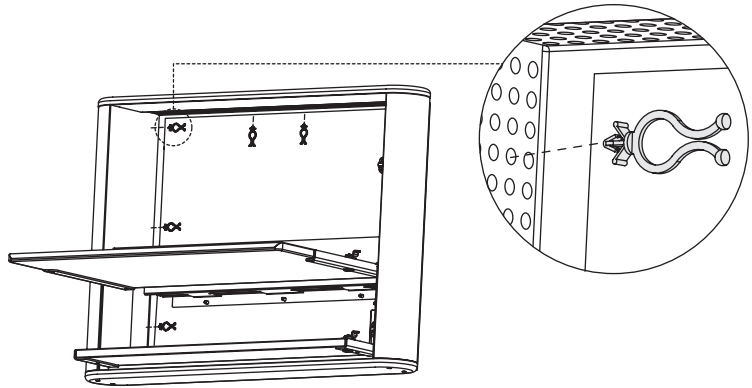


---

## STEP 16

### Insert Cable Clips

- Cable Clips are provided to help manage your cables. Clips can be poked into any of the ventilation holes on the top, back, or side of eNook.
- Twist the ends of the clips to keep the cables in place.



---

**CONGRATULATIONS! YOUR eNOOK ASSEMBLY IS COMPLETE!**

---



300-5394-00

#### Warranty:

For warranty information, please visit: <http://www.anthro.com/support/warranty>

#### Notices:

Technology Furniture and eNook are trademarks of Anthro Corporation. Patent Pending. Anthro reserves the right to modify the design and specifications without prior notice.