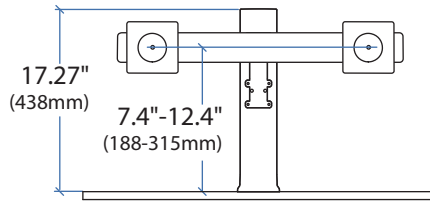
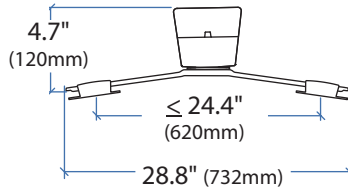


### WorkFit Dual Monitor Kit

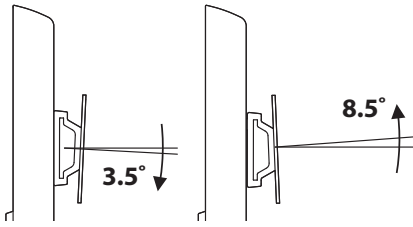
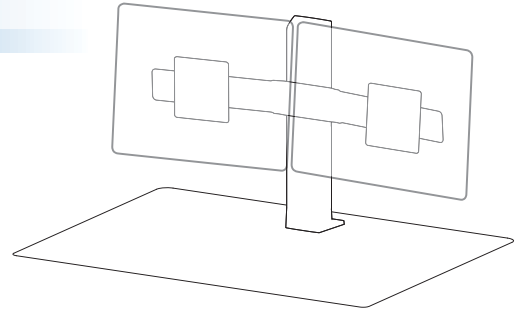
#### Dimensions



Front View

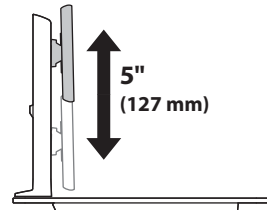


Top View

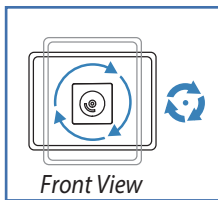


Side View

#### Range of Motion

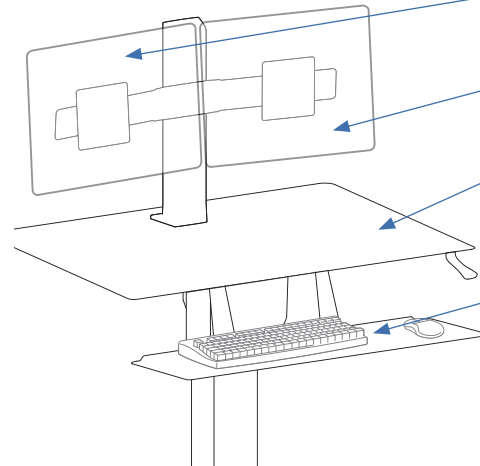


Side View



Front View

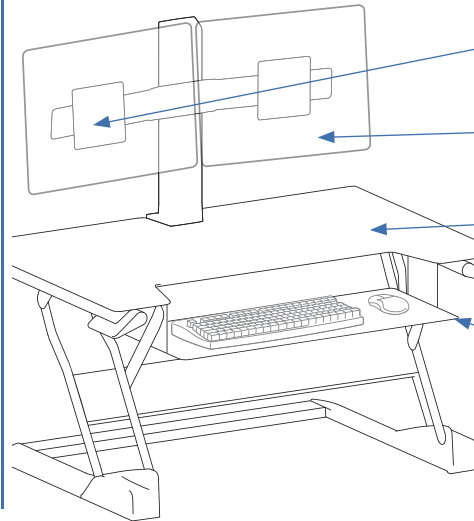
#### WorkFit-PD



- A** LB Kg 6 - 14 lbs (2.72-6.35 kg)
- B** LB Kg 6 - 14 lbs (2.72-6.35 kg)
- C** LB Kg ≤ 5 lbs (2.25 kg)
- D** LB Kg ≤ 2 lbs (0.9 kg)

**A+B+C+D ≤ 31 lbs (14 kg)**

#### WorkFit-T



- A** LB Kg 6 - 14 lbs (2.72-6.35 kg)
- B** LB Kg 6 - 14 lbs (2.72-6.35 kg)
- C** LB Kg ≤ 5 lbs (2.25 kg)
- D** LB Kg ≤ 5 lbs (2.25 kg)

**A+B+C+D ≤ 25.3 lbs (11.48 kg)**

© 2014 Ergotron, Inc. rev. 10/06/2014 DIM-WFRiserDual Content is subject to change without notification

#### Americas Sales and Corporate Headquarters

St. Paul, MN USA  
 (800) 888-8458  
 +1-651-681-7600  
 www.ergotron.com  
 sales@ergotron.com

#### EMEA Sales

Amersfoort, The Netherlands  
 +31 33 45 45 600  
 www.ergotron.com  
 info.eu@ergotron.com

#### APAC Sale

Tokyo, Japan  
 www.ergotron.com  
 apaccustomerservice@ergotron.com

#### Worldwide OEM Sales

www.ergotron.com  
 info.oem@ergotron.com

