

# Ergotron®

## Neo-Flex® Touch Screen Stand

### Dimensional Illustrations

#### Weight Capacity:

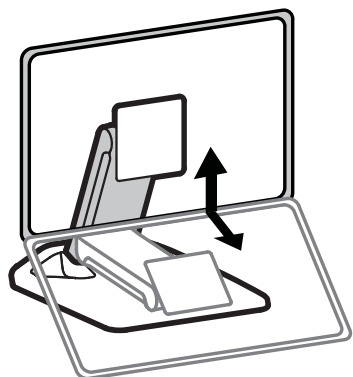
**LB**  
**kg**  
14–23.7 lbs.  
(6.5–10.8 kg)



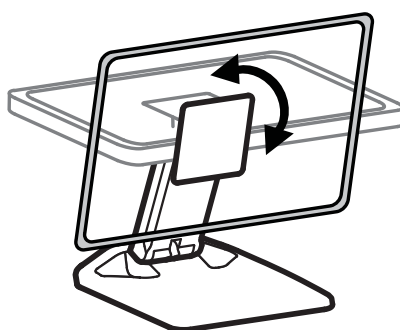
205 Westwood Ave, Long Branch, NJ 07740  
Phone: 866-94 BOARDS (26273) / (732)-222-1511  
Fax: (732)-222-7088 | E-mail: sales@touchboards.com



#### Range of Motion



6.5"  
(165mm)

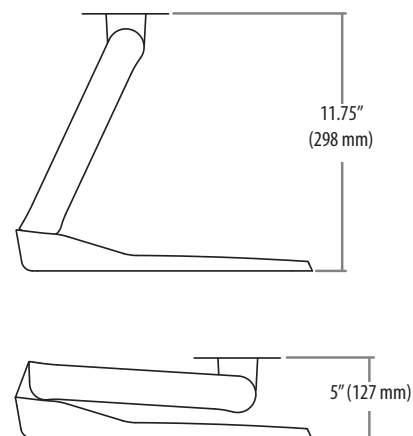
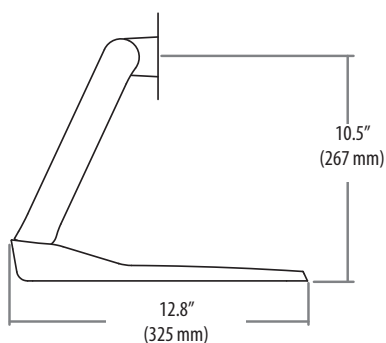
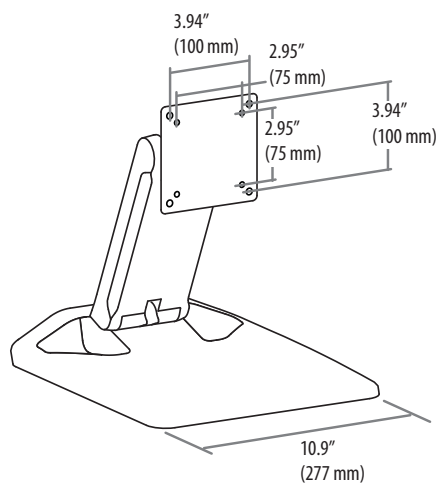


115°  
(-25° - 90°)



360°

#### Dimensions



© 2014 Ergotron, Inc. rev. 01/13/2014 DIM-NFTouch Content is subject to change without notification

#### Americas Sales and Corporate Headquarters

St. Paul, MN USA  
(800) 888-8458  
+1-651-681-7600  
www.ergotron.com  
sales@ergotron.com

#### EMEA Sales

Amersfoort, The Netherlands  
+31 33 45 45 600  
www.ergotron.com  
info.eu@ergotron.com

#### APAC Sales

Tokyo, Japan  
www.ergotron.com  
apaccustomerservice@ergotron.com

#### Worldwide OEM Sales

www.ergotron.com  
info.oem@ergotron.com

