

Ergotron® StyleView

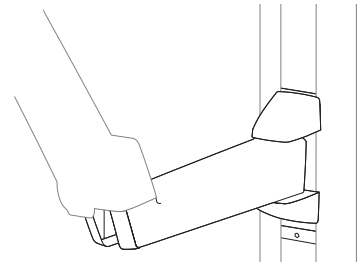
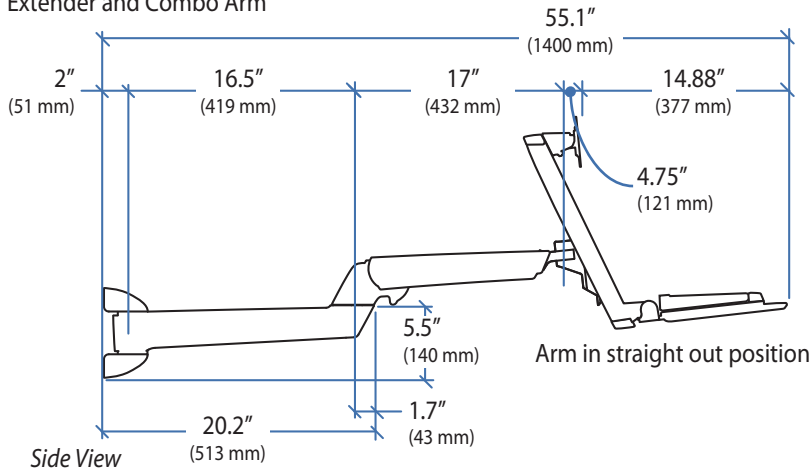


205 Westwood Ave, Long Branch, NJ 07740
 Phone: 866-94 BOARDS (26273) / (732)-222-1511
 Fax: (732)-222-7088 | E-mail: sales@touchboards.com

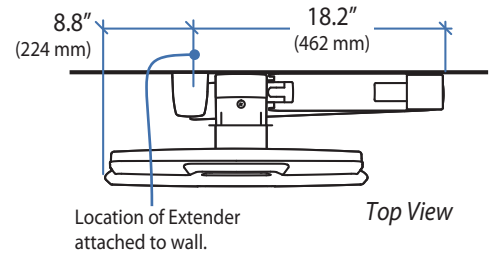
Dimensional & Range of Motion Illustrations

StyleView® Sit Stand Combo Arm Extender

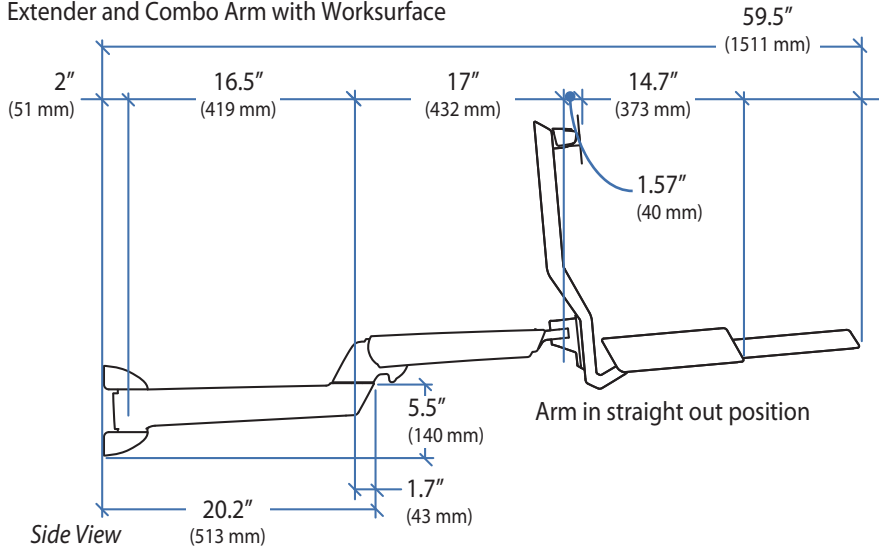
Extender and Combo Arm



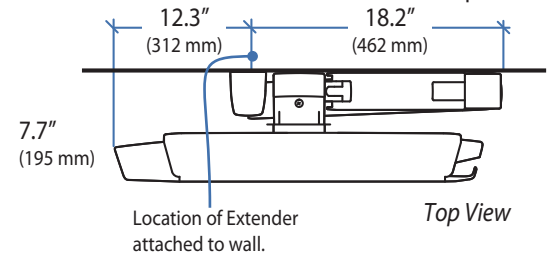
Extender and Combo Arm folded up to wall.



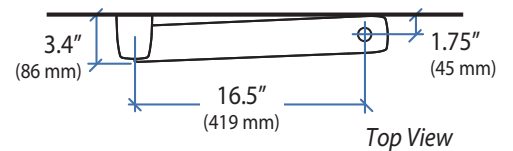
Extender and Combo Arm with Worksurface



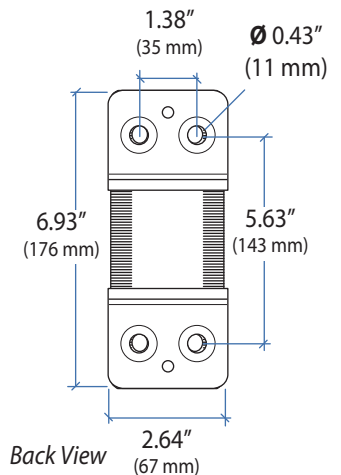
Extender and Combo Arm with Worksurface folded up to wall.



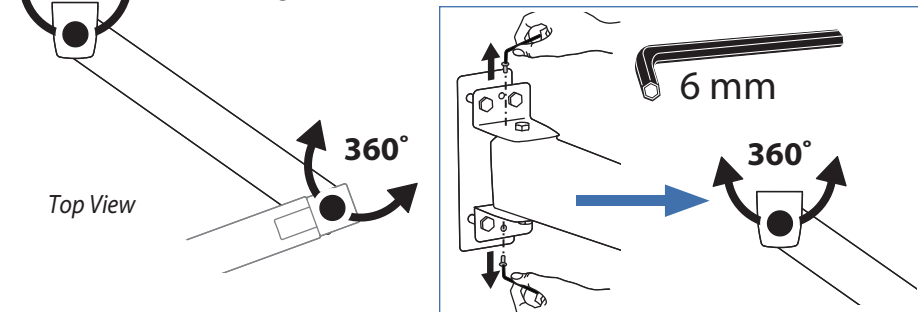
Extender



Wall Mount Bracket



180°* *Product shipped with rotation stop in place to prevent the Extender from hitting the wall.



© 2013 Ergotron, Inc. rev. 06/13/2013 DIM-ComboExtender Content is subject to change without notification

Americas Sales and Corporate Headquarters

St. Paul, MN USA
 (800) 888-8458
 +1-651-681-7600
 www.ergotron.com
 sales@ergotron.com

EMEA Sales

Amersfoort, The Netherlands
 +31 33 45 45 600
 www.ergotron.com
 info.eu@ergotron.com

APAC Sale

Tokyo, Japan
 www.ergotron.com
 apaccustomerservice@ergotron.com

Worldwide OEM Sales

www.ergotron.com
 info.oem@ergotron.com

