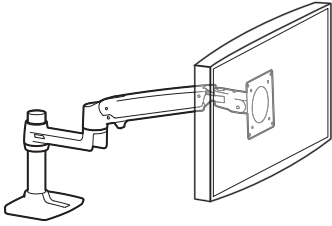
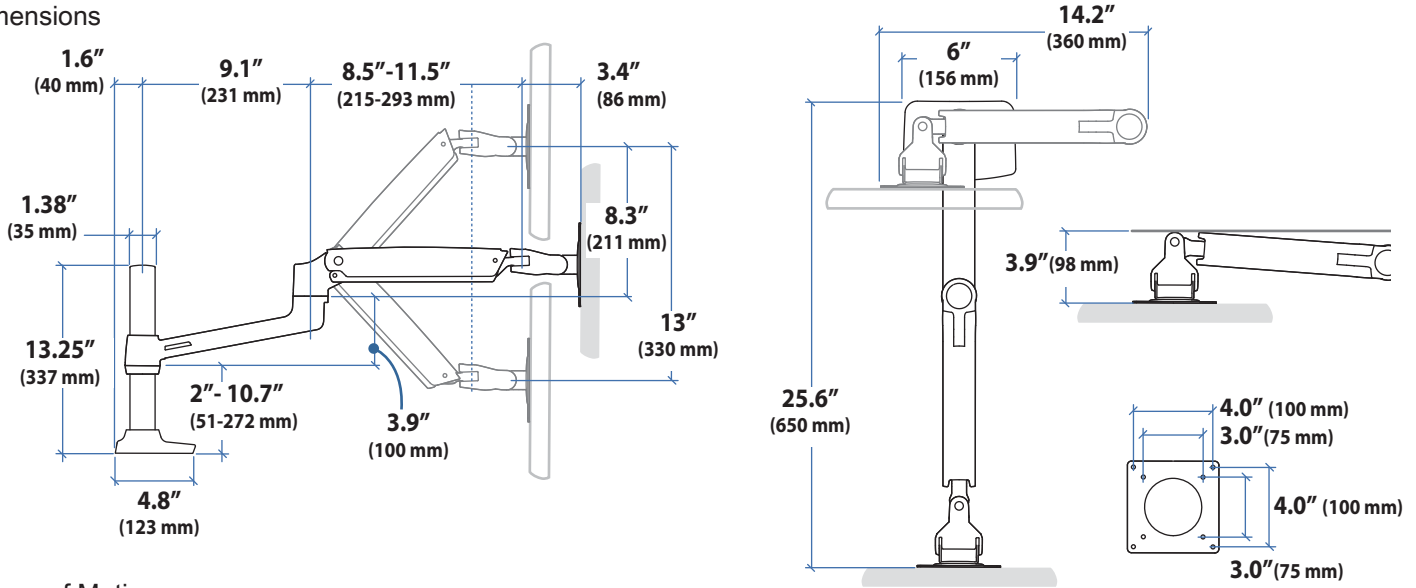


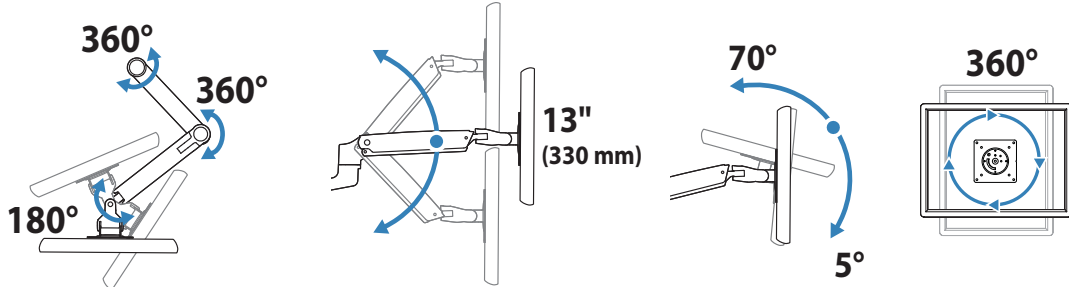
## LX Deskmount Monitor Arm, Tall Pole (no clamp)



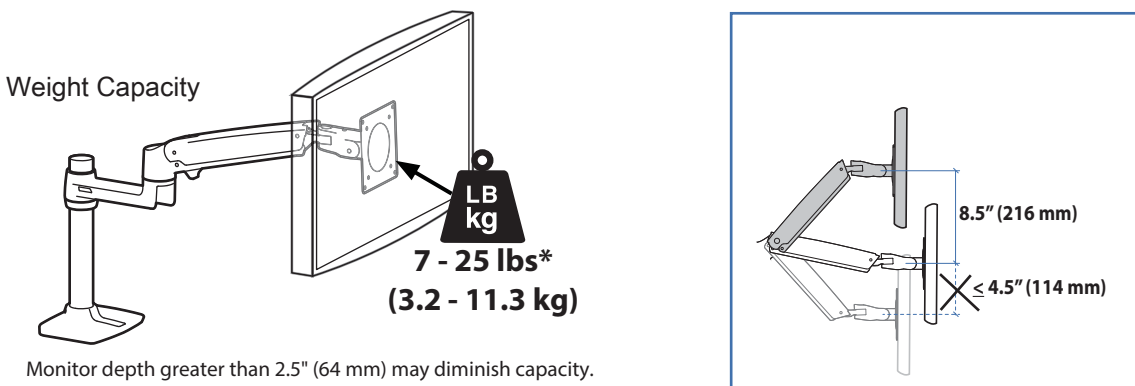
### Dimensions



### Range of Motion



### Weight Capacity



Monitor depth greater than 2.5" (64 mm) may diminish capacity.

Call Ergotron for more information.

© 2017 Ergotron, Inc. rev. 07/20/17 DIM-LXtallnoclamp Content is subject to change without notification

#### Americas Sales and Corporate Headquarters

St. Paul, MN USA  
(800) 888-8458  
+1-651-681-7600  
www.ergotron.com  
sales@ergotron.com

#### EMEA Sales

Amersfoort, The Netherlands  
+31 33 45 45 600  
www.ergotron.com  
info.eu@ergotron.com

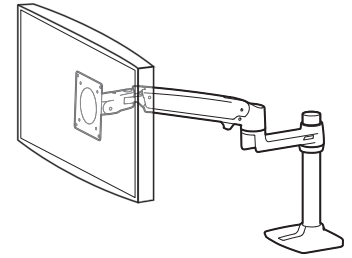
#### APAC Sale

Tokyo, Japan  
www.ergotron.com  
apaccustomerservice@ergotron.com

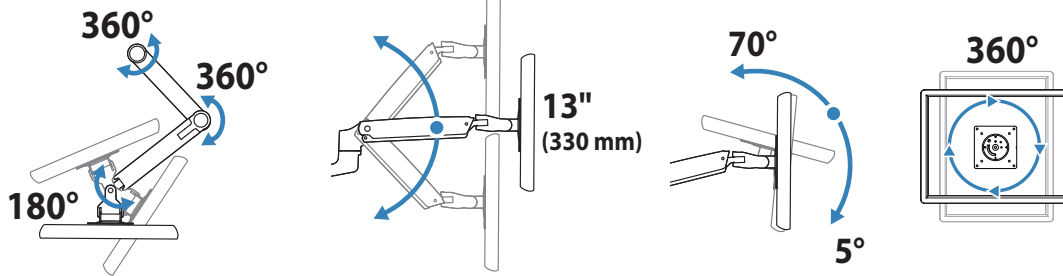
#### Worldwide OEM Sales

www.ergotron.com  
info.oem@ergotron.com

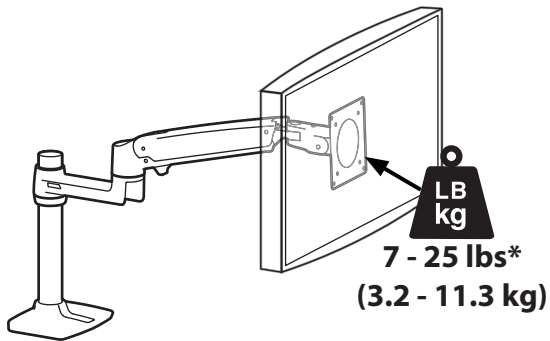
# Dimensional & Range of Motion Illustrations



## Range of Motion

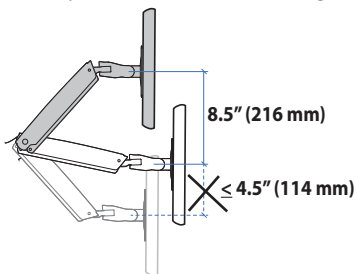


## Weight Capacity



Monitor depth greater than 2.5" (64 mm) may diminish capacity. Call Ergotron for more information.

**\* The lower most range of motion for vertical lift is decreased up to 4.5" (114 mm) when arm is adjusted to hold over 20lbs (9 kgs).**



© 2017 Ergotron, Inc. rev. 07/20/17 DIM-LXtallnoclamp **Content is subject to change without notification**

### Americas Sales and Corporate Headquarters

St. Paul, MN USA  
(800) 888-8458  
+1-651-681-7600  
www.ergotron.com  
sales@ergotron.com

### EMEA Sales

Amersfoort, The Netherlands  
+31 33 45 45 600  
www.ergotron.com  
info.eu@ergotron.com

### APAC Sale

Tokyo, Japan  
www.ergotron.com  
apaccustomerservice@ergotron.com

### Worldwide OEM Sales

www.ergotron.com  
info.oem@ergotron.com