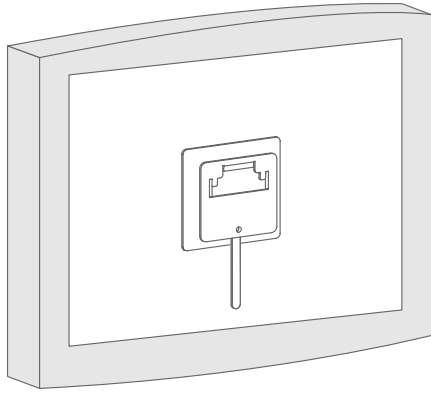


User's Guide

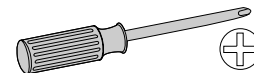
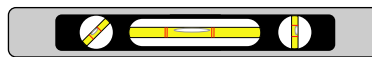
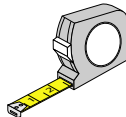
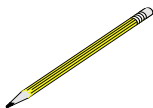
FX30 Quick Release Wall Mount Kit for Flat Panel TV/Monitor



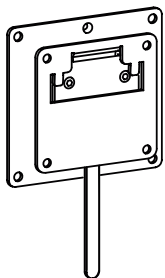
USA 1-800-888-8458
 Europe +31 20 312.29.39



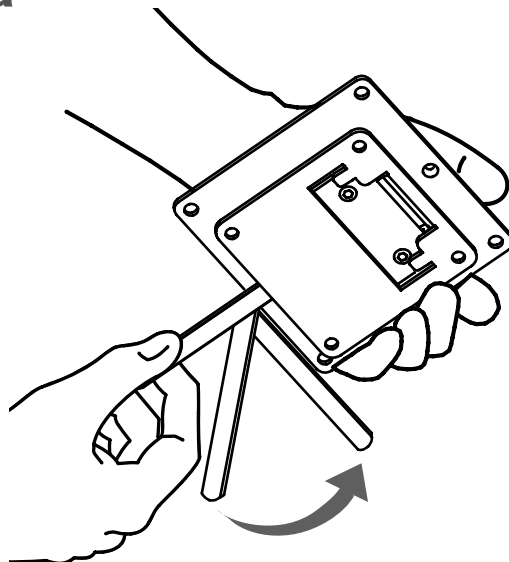
1	2



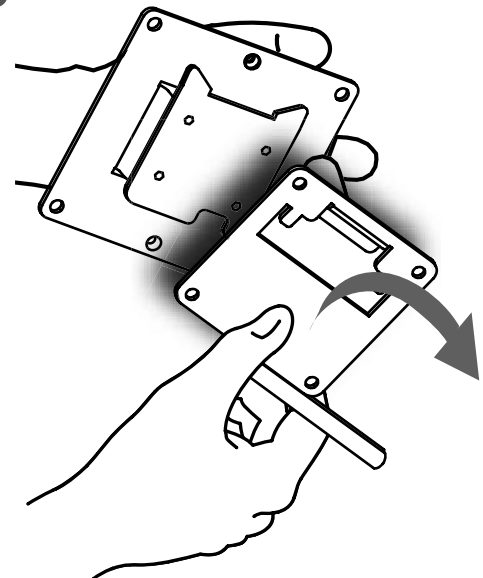
1



a



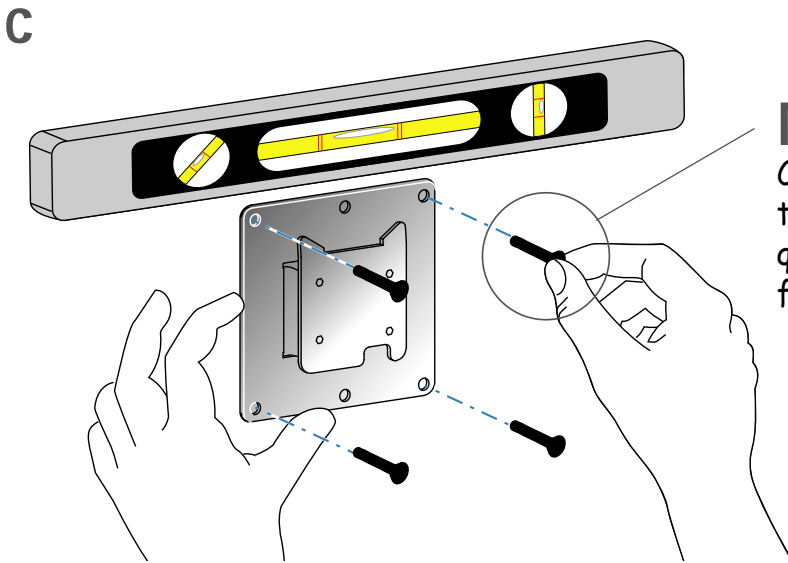
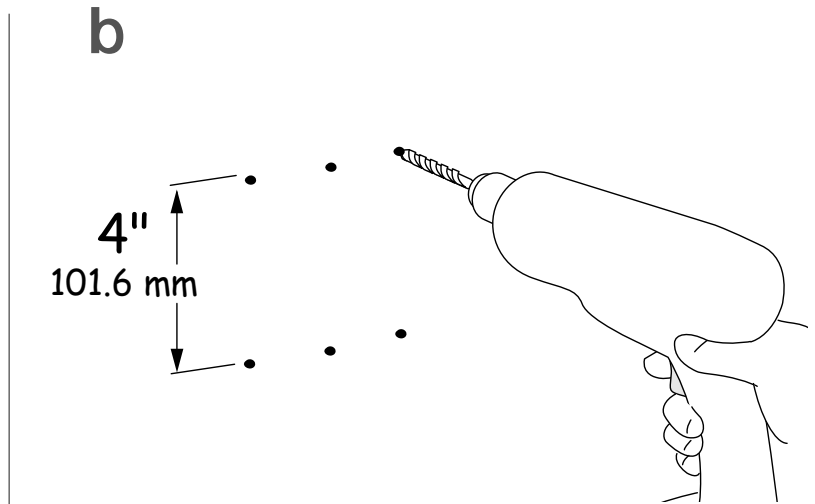
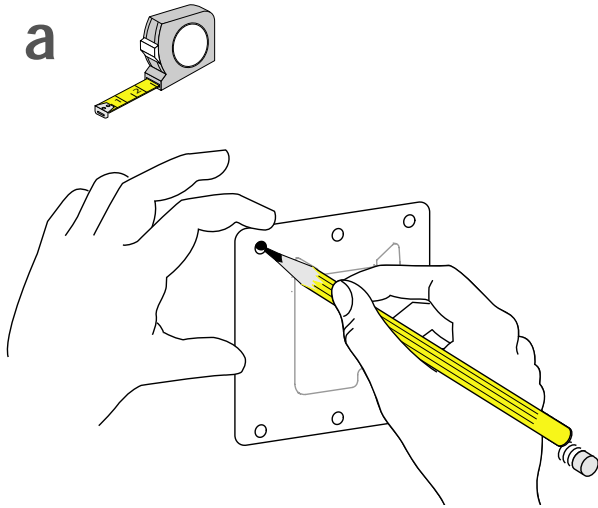
b



2 Wall bracket mount



WARNING: Because vertical surfaces vary widely and the ultimate mounting method is out of Ergotron's control, it is imperative that you consult with appropriate engineering, architectural or construction personnel to ensure that the FX is mounted properly to handle applied loads.



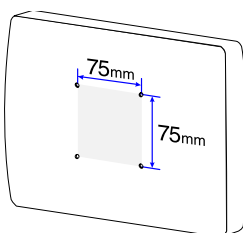
NOTE: Fasteners are not supplied. Consult a qualified construction professional to determine the appropriate type and quantity of mounting fasteners required for your application.

Touchboards

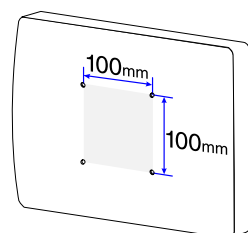
205 Westwood Ave, Long Branch, NJ 07740
Phone: 866-94 BOARDS (26273) / (732)-222-1511
Fax: (732)-222-7088 | E-mail: sales@touchboards.com

3 Monitor bracket mount

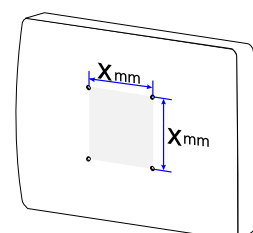
a 75mm



b 100mm

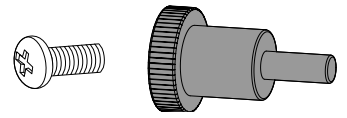


c Xmm

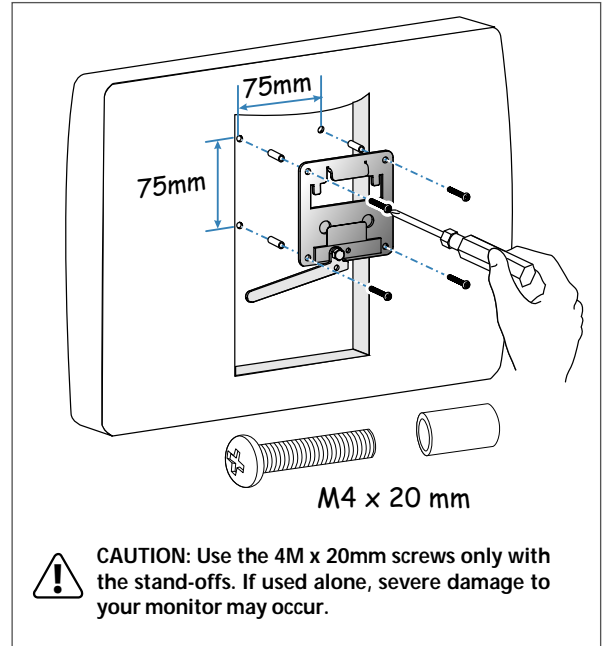
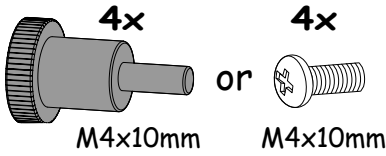
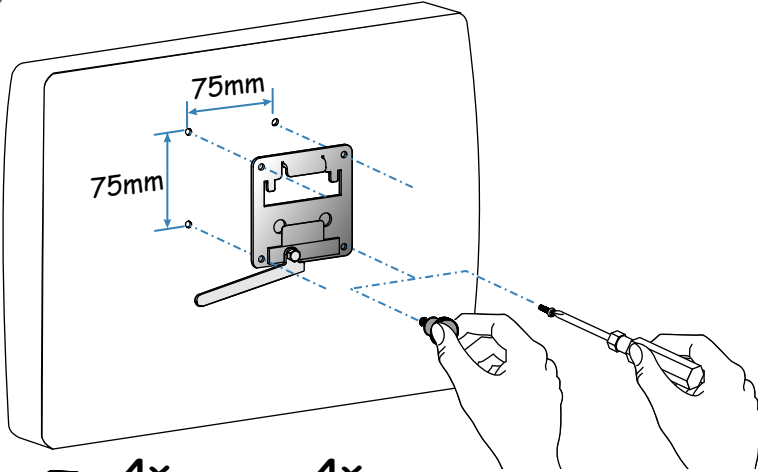




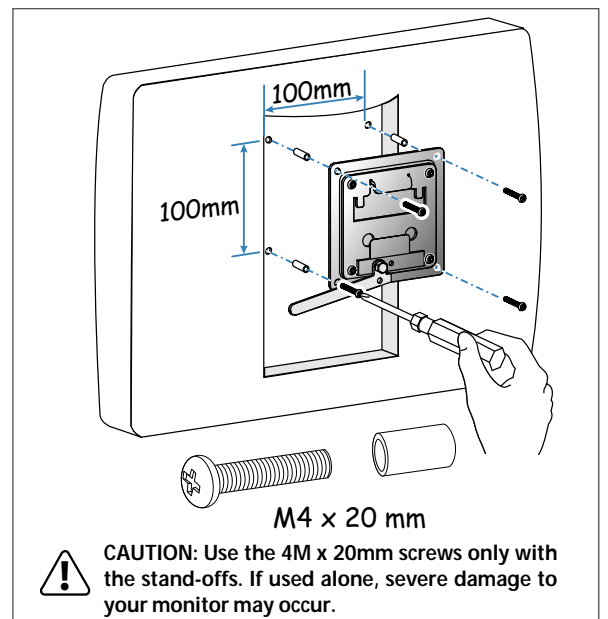
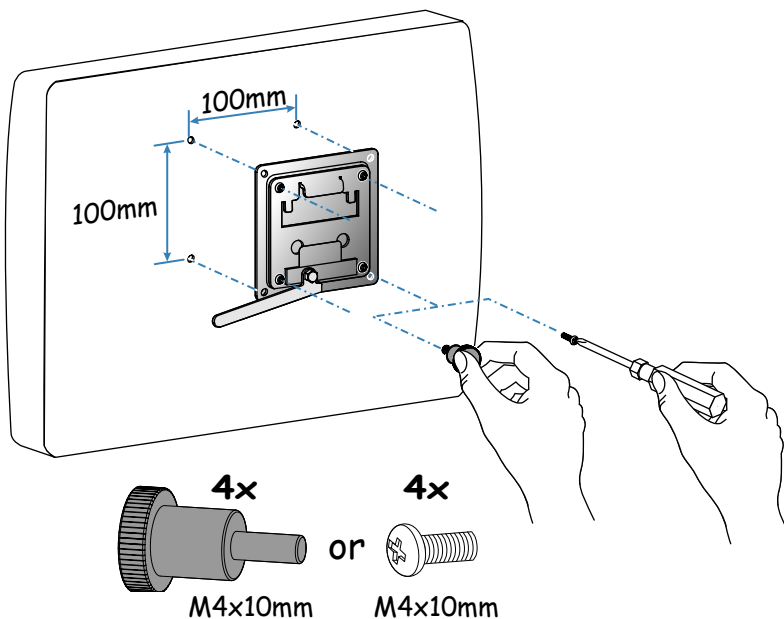
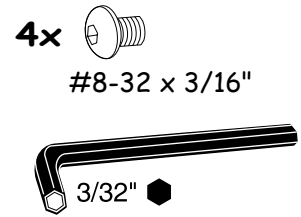
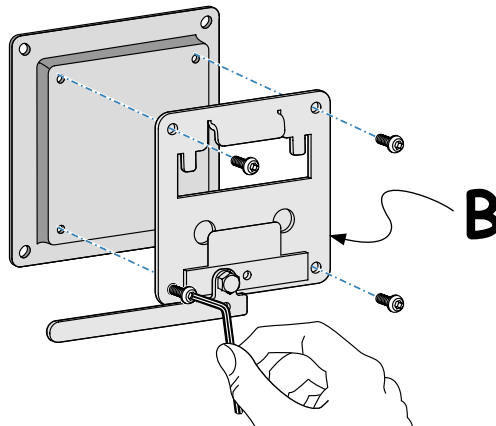
WARNING: To avoid damage to your monitor, if your monitor requires a screw size other than the M4 screws and knobs provided in this kit, use the screw size recommended by the monitor manufacturer!



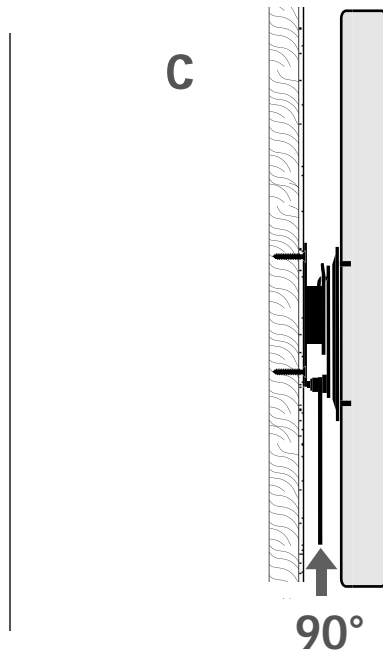
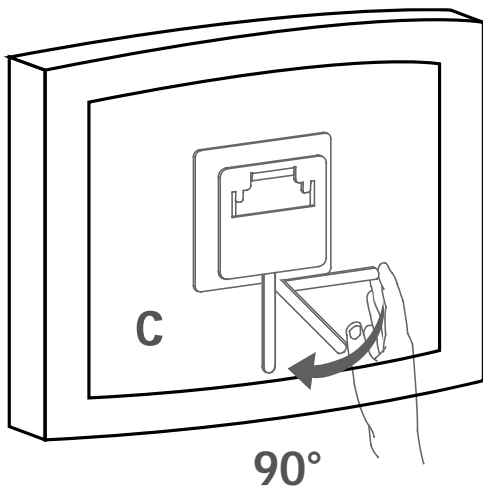
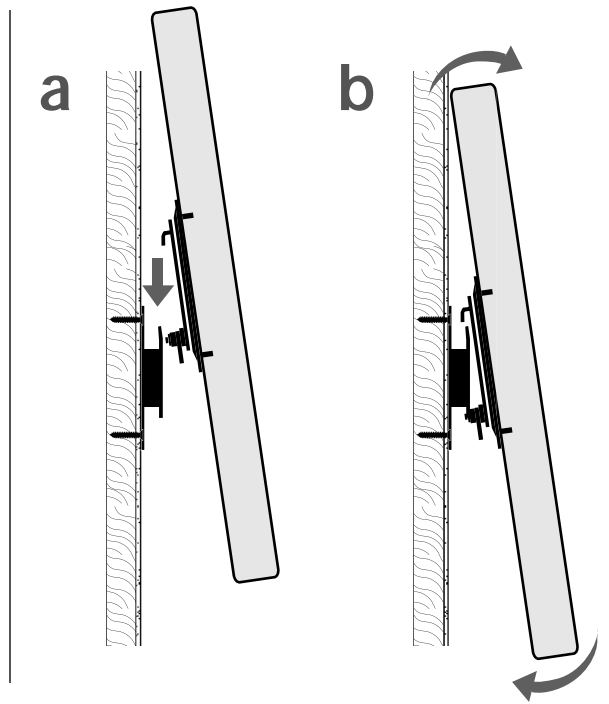
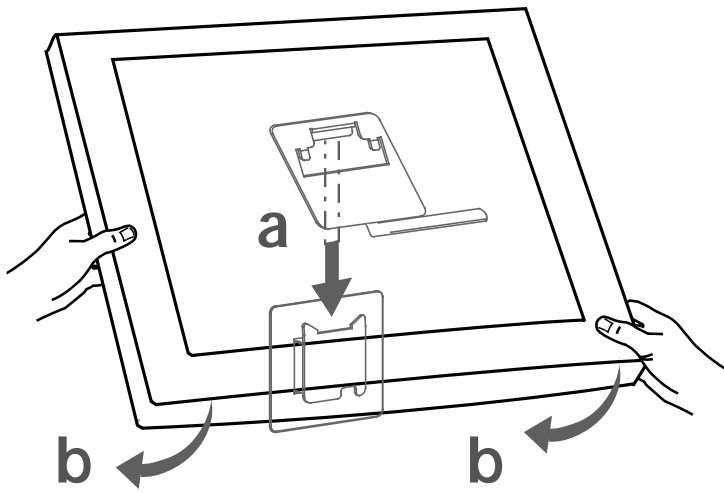
3a 75mm



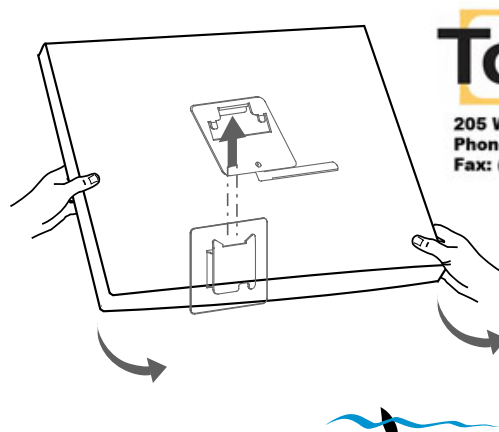
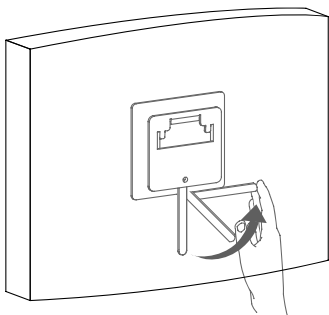
3b 100mm



4 Attachment



Removal



Touchboards

205 Westwood Ave, Long Branch, NJ 07740
Phone: 866-94 BOARDS (26273) / (732)-222-1511
Fax: (732)-222-7088 | E-mail: sales@touchboards.com

ERGOTRON © 2004 Ergotron, Inc. All rights reserved.

Patents Pending and Patented U.S. & Foreign. Ergotron is a registered trademark of Ergotron, Inc. Reproduction of this material in whole or part for any purpose other than that authorized by Ergotron, Inc. is prohibited.