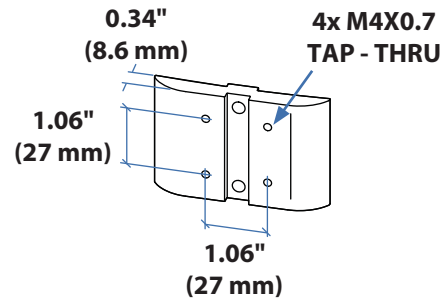
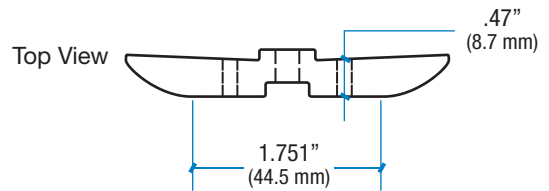
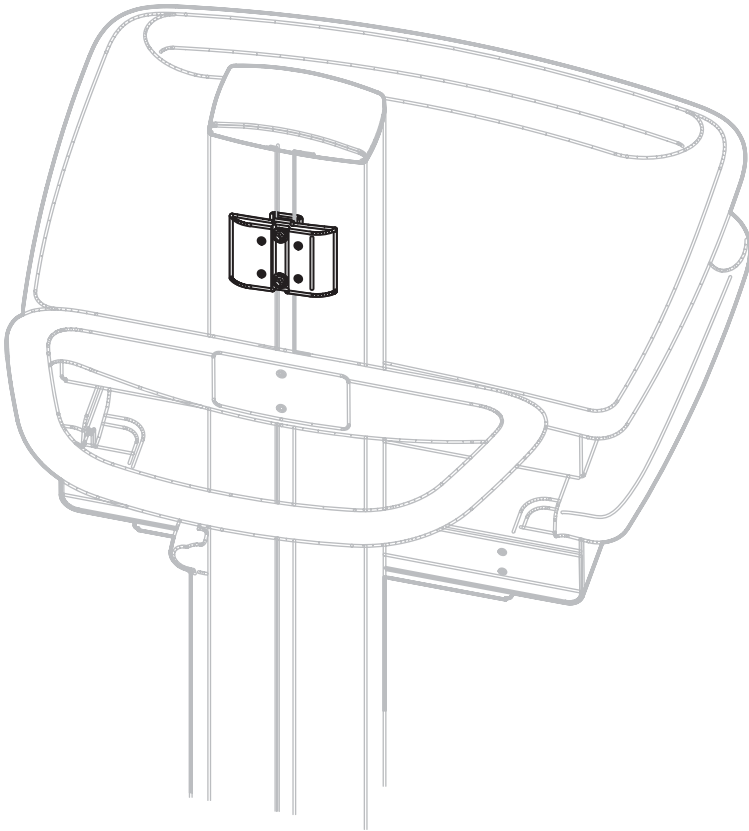


# Ergotron® Accessory

## T-Slot Bracket



# Touchboards

205 Westwood Ave, Long Branch, NJ 07740  
 Phone: 866-94 BOARDS (26273) / (732)-222-1511  
 Fax: (732)-222-7088 | E-mail: sales@touchboards.com

© 2011 Ergotron, Inc. rev. 04/26/2011 DIM-tSlot Content is subject to change without notification

**Americas Sales and Corporate Headquarters**

St. Paul, MN USA  
 (800) 888-8458  
 +1-651-681-7600  
 www.ergotron.com  
 sales@ergotron.com

**EMEA Sales**

Amersfoort, The Netherlands  
 +31 33 45 45 600  
 www.ergotron.com  
 info.eu@ergotron.com

**APAC Sale**

Tokyo, Japan  
 www.ergotron.com  
 apacustomerservice@ergotron.com

**Worldwide OEM Sales**

www.ergotron.com  
 info.oem@ergotron.com

