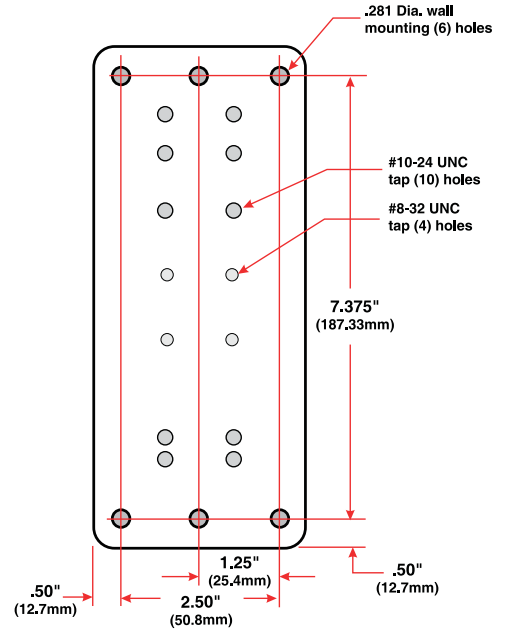


! ≤50 lbs. (22.7kg)

! WARNING: Ensure that the wall structure is capable of supporting four times the total weight of mounted equipment. Mounting to wall surfaces that do not meet this criteria may result in an unstable, unsafe condition which could lead to personal injury and/or property damage. Consult a construction professional if you have any doubt about what this means in regard to your particular application.

NOTE: Do not mount to wood studs or walls without studs.



6x

6x 1/4-20 x 1-1/2"

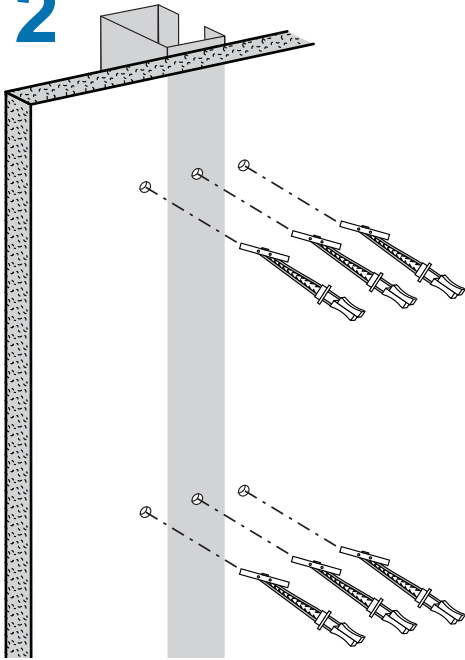
USA 1-800-888-8458 ?
Europe +31 (0)33-45 45 600
www.ergotron.com

1 a

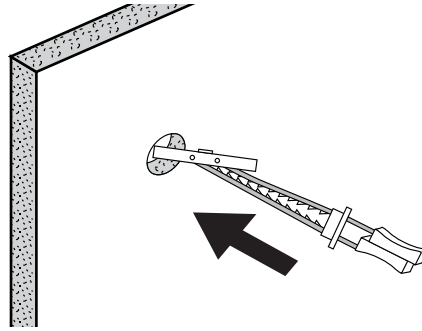
! WARNING: Center holes must go into the steel stud.

b

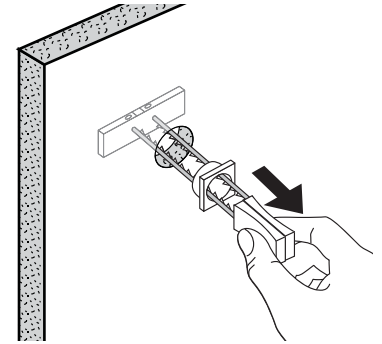
2



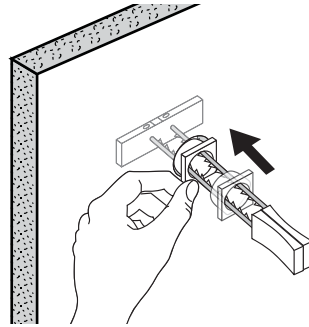
a



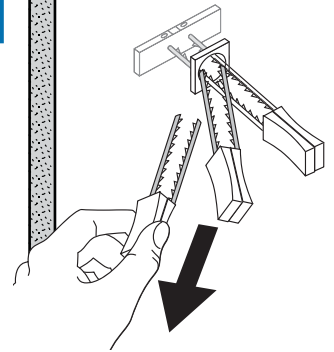
b



c

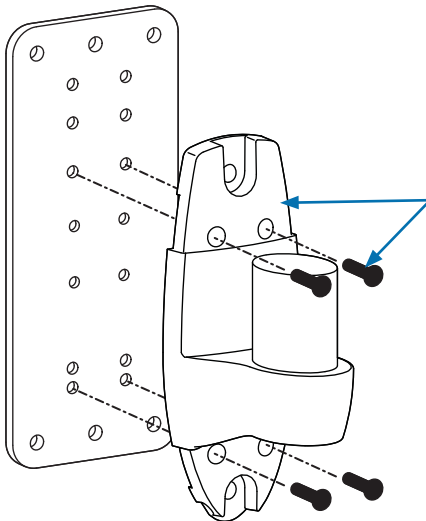


d



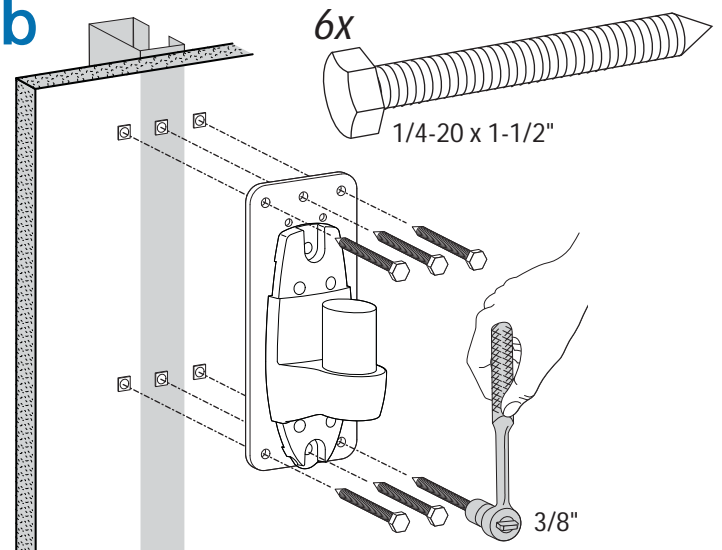
3

a



Fasteners supplied with Ergotron component ordered separately.

b



Ergotron Warranty Policy

Ergotron warrants that its products will remain free of defects in material and workmanship for five (5) years. All subject to the exceptions, exclusions and limitations as set forth below.

Download PDF

Exceptions to this warranty include:

- Three (3)-year warranty on all Neo-Flex™ by Ergotron products
- Two (2)-year warranty on all power supply components by Ergotron; battery carries a 90-day performance warranty and six (6)-month warranty against manufacturer's defects.
- Note: In EU, two (2)-year warranty on all power supply components by Ergotron; battery carries a 90-day performance warranty and two (2)-year warranty against manufacturer's defects
- OEM products resold by Ergotron are warranted by the respective manufacturer
- Product that is refurbished by Ergotron and sold by Ergotron carries a 90-day warranty
- Ergotron warranties are nontransferable

Exclusive Remedy: If any Ergotron equipment is or becomes defective in material or workmanship during the warranty period, Ergotron will determine with the customer if the product defect is covered under warranty. Ergotron, at its sole discretion, may replace or repair the unit determined to be under warranty at a designated Ergotron location or at the customer location. The purchaser must get pre-approved authorization to return product to Ergotron. The Purchaser must contact Ergotron to obtain an RMA (Return Material Authorization) number. Ergotron will promptly repair or replace the item and ship it to Purchaser at no charge to the Purchaser. Performance of repair or replacement does not renew or extend the warranty period.

THIS REMEDY IS THE EXCLUSIVE REMEDY FOR BREACH OF WARRANTY AS TO THE EQUIPMENT, except in respect to personal injury. Purchaser shall give Ergotron immediate written notice of any personal injury resulting from use of Ergotron equipment.

Exclusions and Limitations: Ergotron disclaims liability for injuries or losses caused by or associated with installation or use of its equipment in any manner other than in strict conformance with the instructions set forth in its installation manuals, supplemental assembly and installation instruction sheets, technical bulletins or product literature, or by equipment that has been altered, damaged or misused.

Warranty on fully charged batteries left in an unused state for more than three (3) consecutive months is automatically void. Warranty on fully discharged batteries left in an unused state for more than three (3) consecutive days is automatically void.

Purchaser has not relied upon and Ergotron disclaims any and all warranties other than the expressed warranty stated above, subject to the exclusions and limitations provided herein. Ergotron disclaims all other warranties, expressed or implied, including but not limited to the warranties of merchantability and fitness for a particular purpose. Ergotron further disclaims liability to purchaser and all others for all consequential, incidental and special damages caused by or in connection with the products, their use or misuse, and their performance or nonperformance.



© 2007 Ergotron, Inc.
All rights reserved.

While Ergotron, Inc. makes every effort to provide accurate and complete information on the installation and use of its products, it will not be held liable for any editorial errors or omissions (including those made in the process of translation from English to another language), or for incidental, special or consequential damages of any nature resulting from furnishing this instruction and performance of equipment in connection with this instruction. Ergotron, Inc. reserves the right to make changes in the product design and/or product documentation without notification to its users. For the most current product information, or to know if this document is available in languages other than those herein, please contact Ergotron. No part of this publication may be reproduced, stored in a retrieval system, or transmitted in any form or by any means, electronic, mechanical, photocopying, recording or otherwise without the prior written consent of Ergotron, Inc., 1181 Trapp Road, Eagan, Minnesota, 55121, USA Patents Pending and Patented U.S. & Foreign. Ergotron is a registered trademark of Ergotron, Inc.

Americas Sales and Corporate Headquarters

St. Paul, MN USA
(800) 888-8458
+1-651-681-7600
www.ergotron.com
sales@ergotron.com

EMEA Sales

Amersfoort, The Netherlands
+31 33 45 45 600
www.ergotron.com
info.eu@ergotron.com

APAC Sales

Singapore
www.ergotron.com
info.apac@ergotron.com

Worldwide OEM Sales

www.ergotron.com
info.apac@ergotron.com