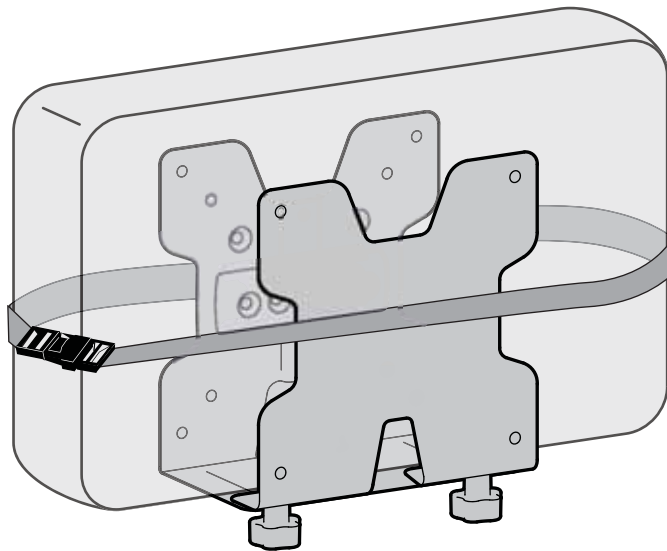




205 Westwood Ave, Long Branch, NJ 07740
 Phone: 866-94 BOARDS (26273) / (732)-222-1511
 Fax: (732)-222-7088 | E-mail: sales@touchboards.com



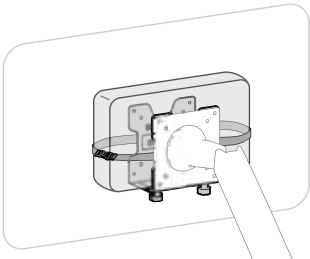
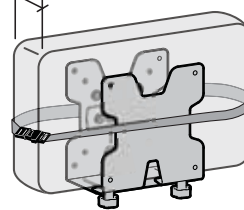
Features & Specifications



≤ 6 lbs. (2.7 kg)

CAUTION: DO NOT EXCEED MAXIMUM LISTED WEIGHT CAPACITY. SERIOUS INJURY OR PROPERTY DAMAGE MAY OCCUR!

0.85" - 2.3" (22-58 mm)



IMPORTANT! This product adds an additional 2 lbs. (1 kg) to your mounting solution. When mounting between a monitor and VESA plate, the mounting solution's monitor weight capacity must be reduced by 2 lbs. (1 kg) when using standard monitors and thin clients which when combined are less than or equal to 2.5" (64 mm) thick. Additional reduction will be required if the combined monitors and thin client are greater than 2.5" (64 mm) thick.

For the latest User Installation Guide please visit: www.ergotron.com



User's Guide - English
 Guía del usuario - Español
 Manuel de l'utilisateur - Français
 Gebrauchsgids - Deutsch
 Benutzerhandbuch - Nederlands
 Guida per l'utente - Italiano
 Användarhandbok - svenska
 ユーザーガイド : 日本語
 用户指南 : 汉语



www.ergotron.com

USA 1-800-888-8458

Europe +31 (0)33-45 45 600

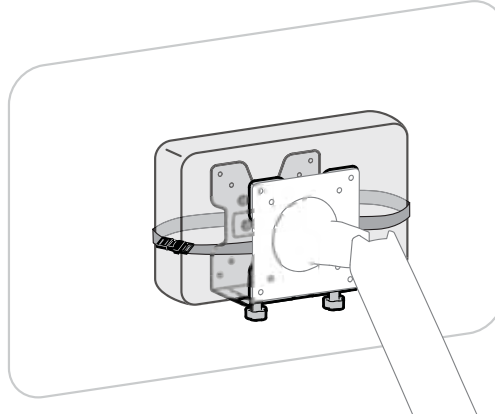
China 86-769-86018920

Components

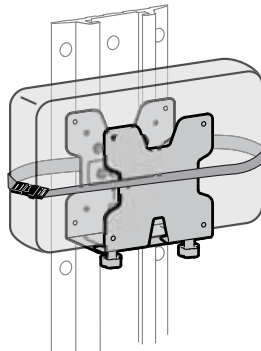
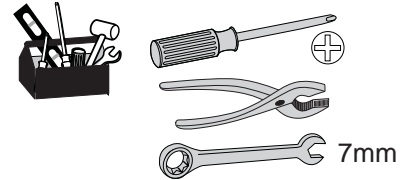


	A	B	C	D	E	F	G	H	
1	1x	1x	1x	2x	4x	2x	1x	4x	
2			4x	2x		4x		4x	
3	1x	1x	1x	1x					

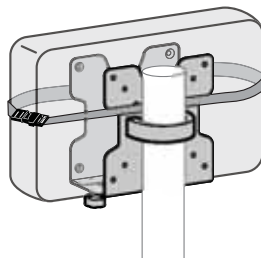
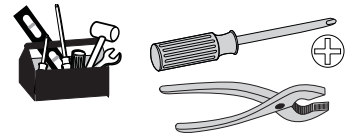
Follow desired mounting application instructions.



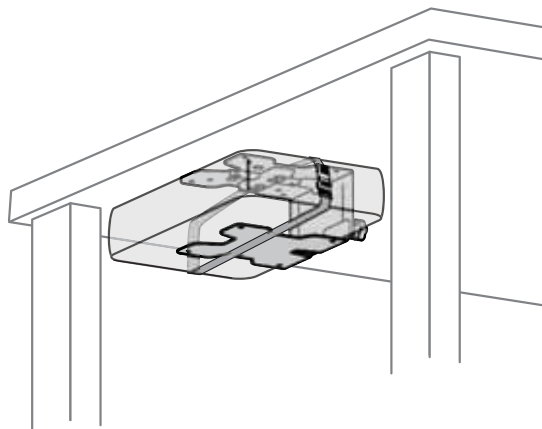
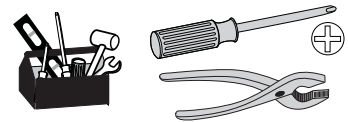
Tools Needed



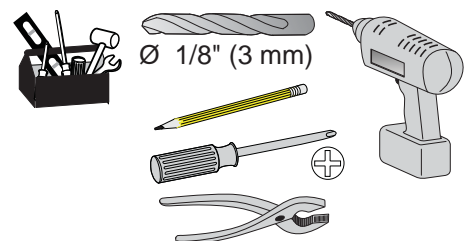
Tools Needed

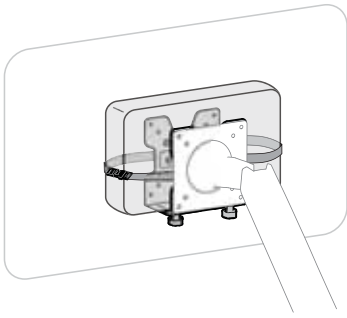


Tools Needed

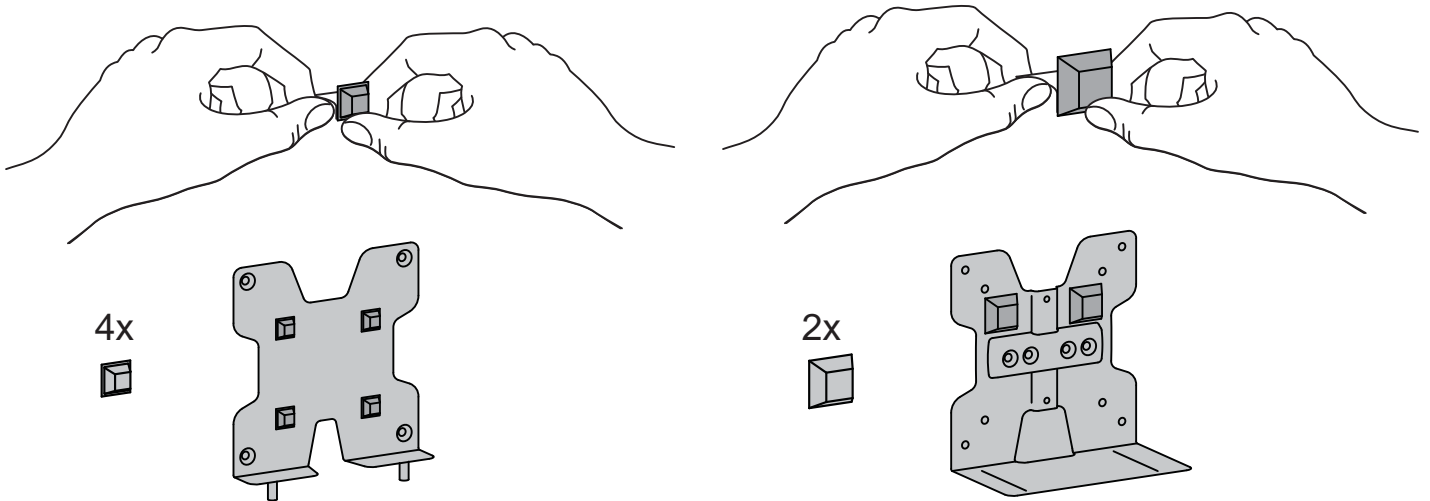


Tools Needed





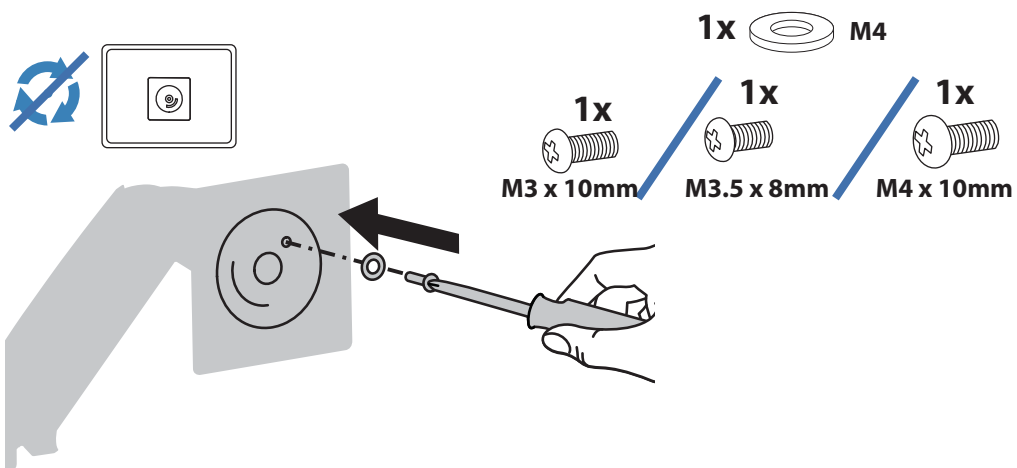
1 Attach bump-ons as shown.

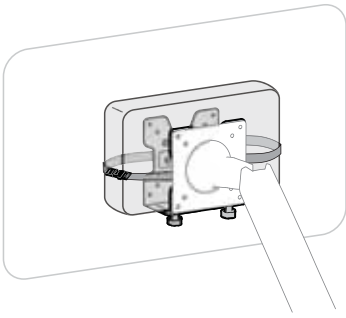


2 Install Portrait/Landscape rotation stop screw.
 Insert the provided washer and one of the three provided rotation stop screws : M3x10 mm, M3.5x8mm, or M4x10mm depending on the diameter of the hole in your VESA plate.



WARNING! Thin Client may fall out of brackets. Install the Portrait/Landscape rotation stop screw to keep monitor from rotating through the portrait/landscape rotation. Failure to follow these instructions may result in the Thin Client falling out of the brackets and could result in equipment damage and/or personal injury.

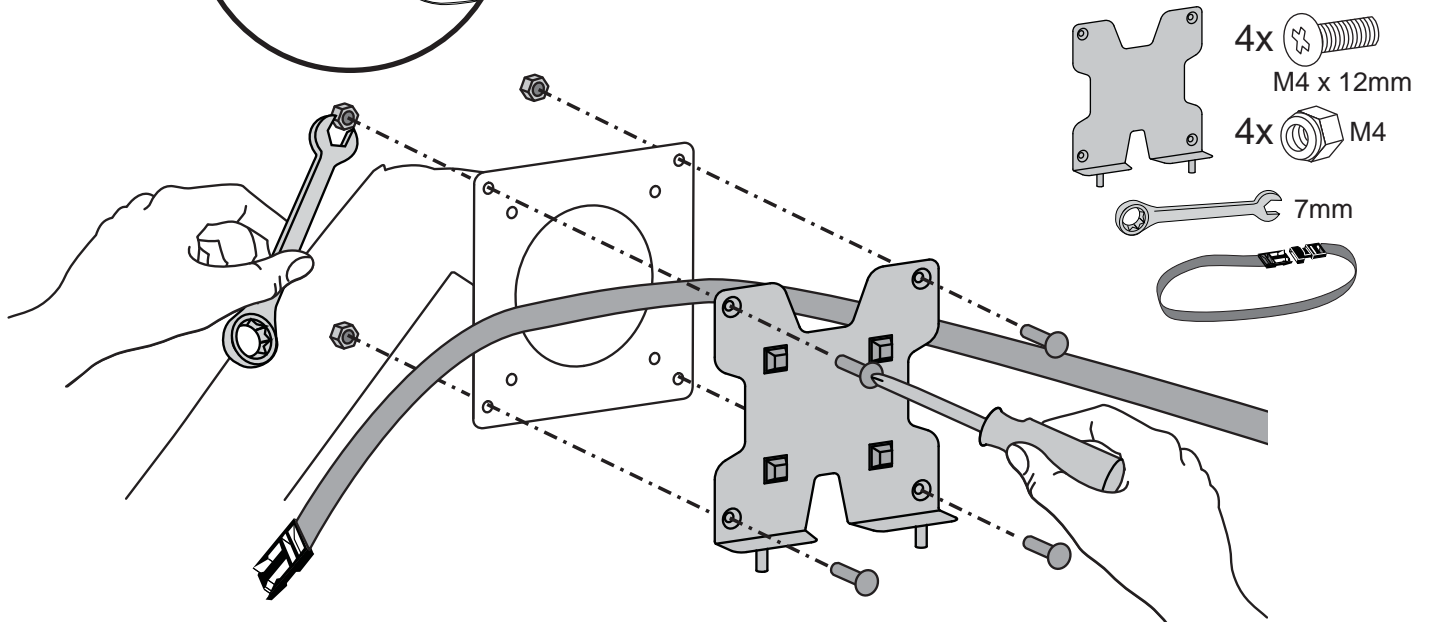
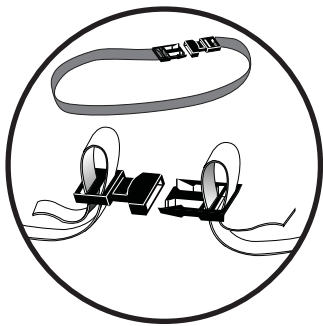


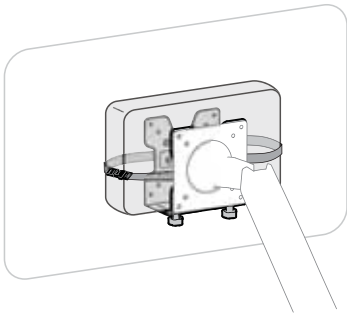


3 Attach bracket shown to VESA mount.



NOTE: Using the strap and buckle is optional. If you would like to include the strap and buckle, make sure the strap is between the VESA mount and the bracket when attaching, as shown.



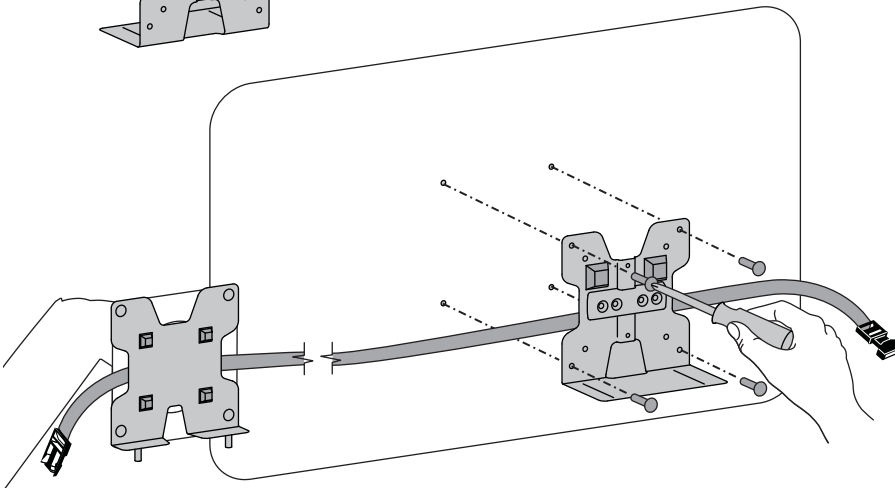
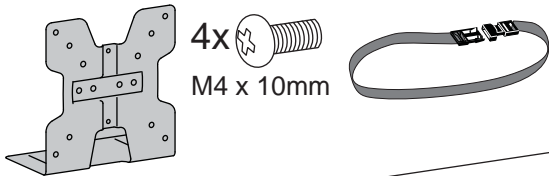


4 Attach bracket to monitor.

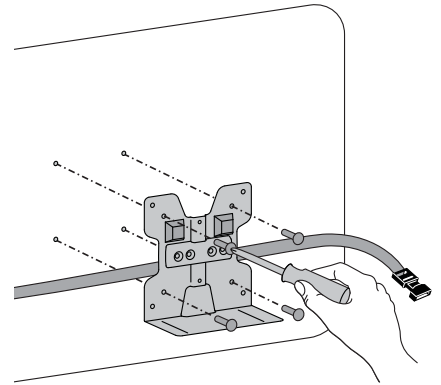
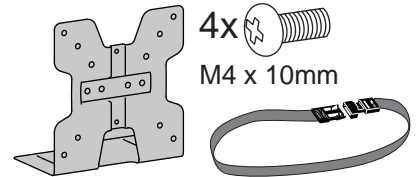


NOTE: Using the strap and buckle is optional. If you would like to include the strap and buckle, make sure the strap is between the bracket and the monitor when attaching, as shown. This installation step requires 2 people.

100x100mm

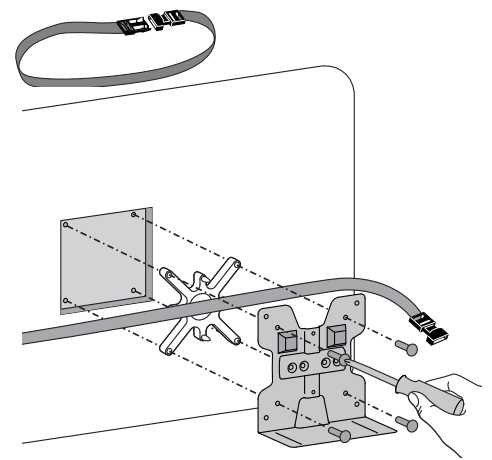
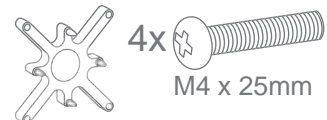


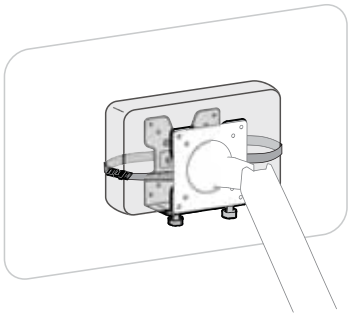
75x75mm



75x75mm Recessed

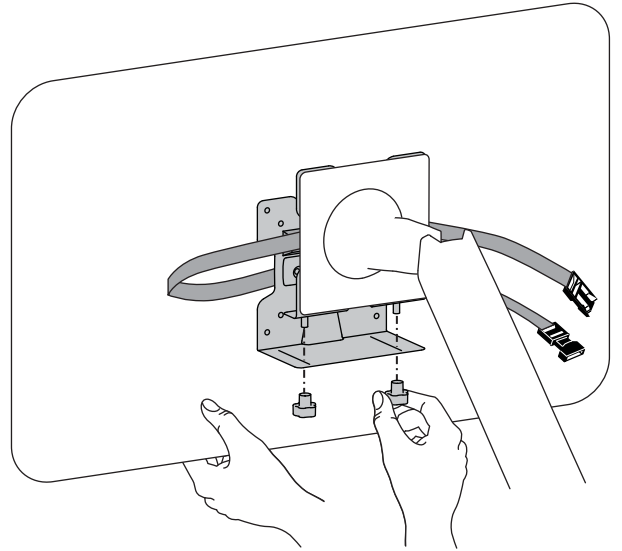
Kit Ordered Separately.



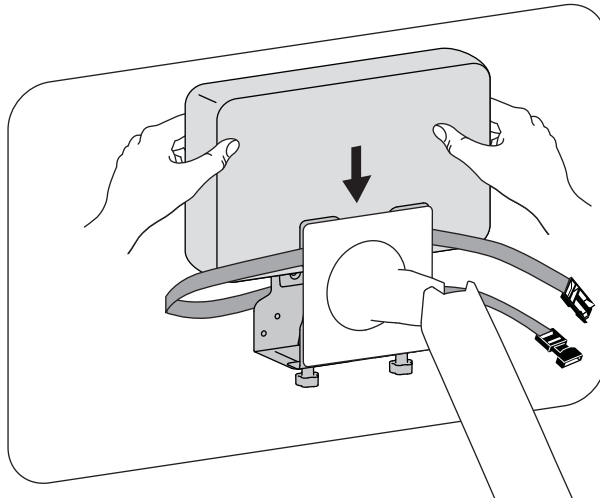


5 Attach brackets.

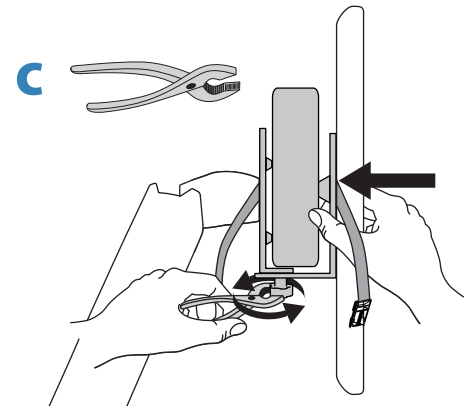
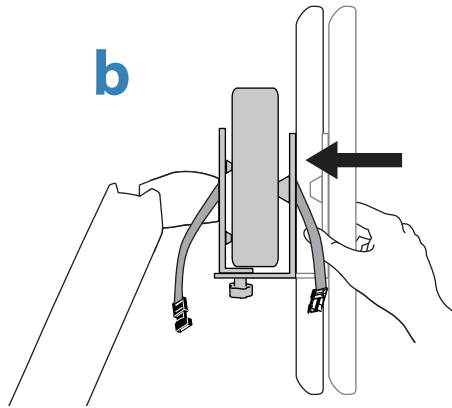
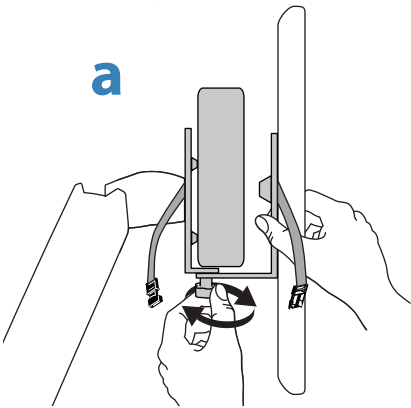
2x

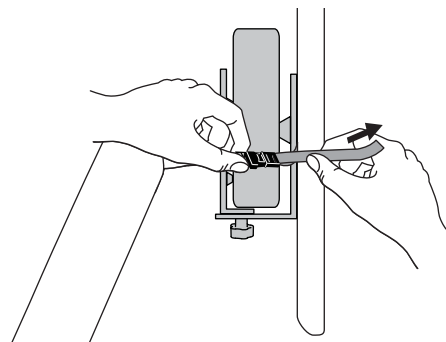
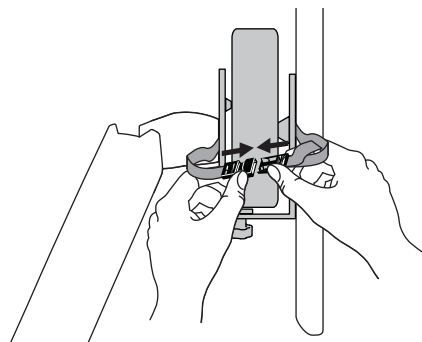
6 Attach Thin Client.

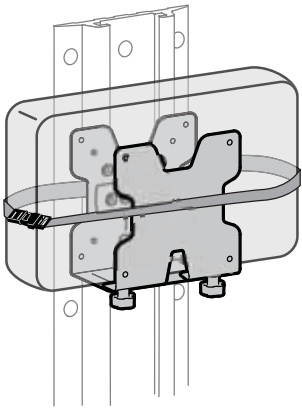


7 Secure Thin Client.
 a. Loosen knobs.
 b. Push brackets together.
 c. Tighten knobs with pliers as needed.

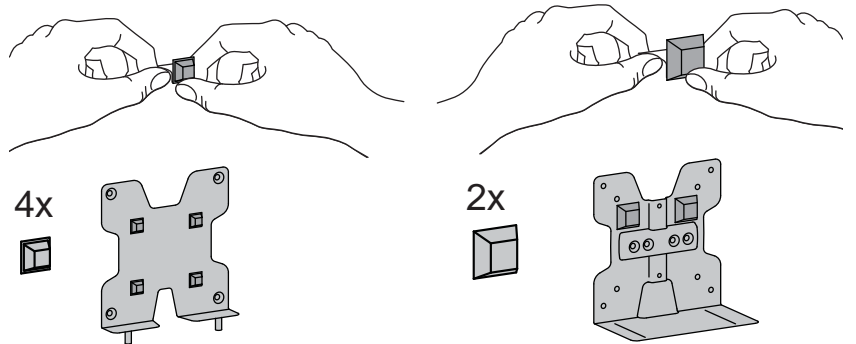


8 If you are using the strap and buckle, clip buckle together and tighten strap.



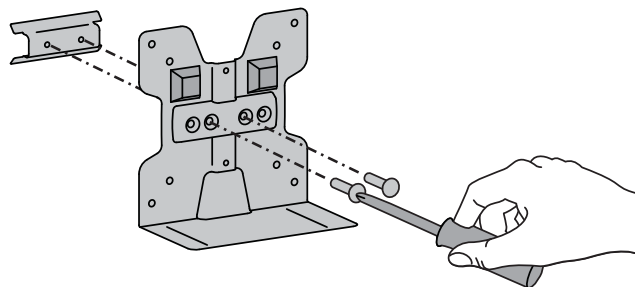


1 Attach bump-ons as shown.

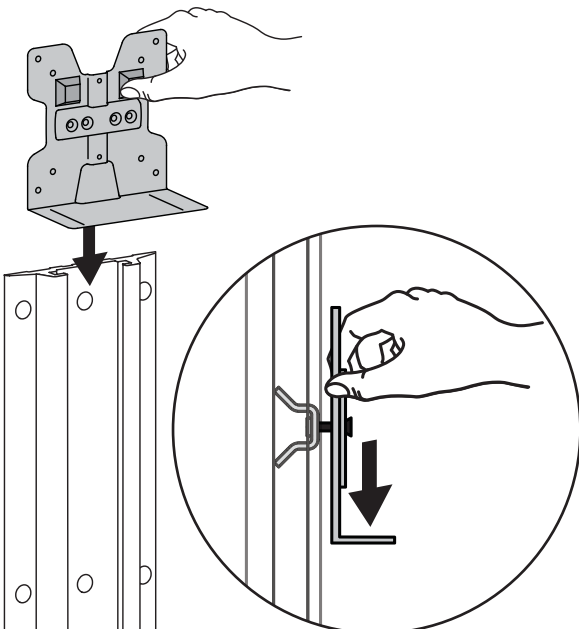


2 Attach bracket shown to Wall Track bracket.
NOTE: Leave enough space between brackets to allow sliding onto Wall Track.

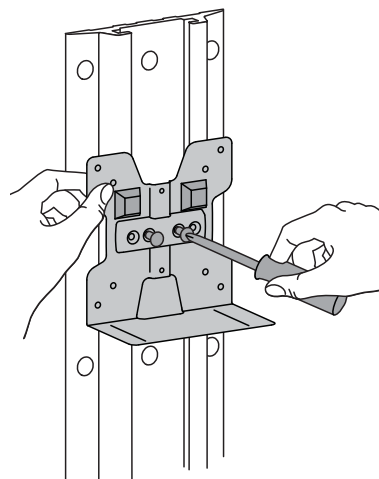
2x
M4 x 16mm



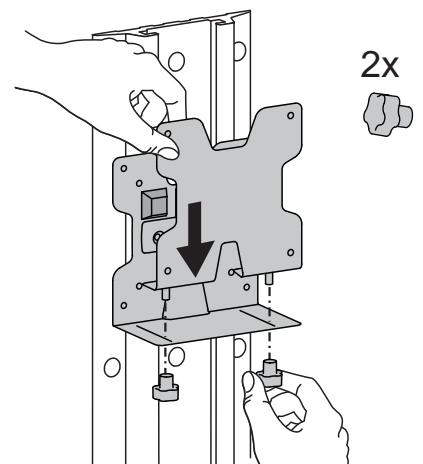
3 Attach brackets to Wall Track.



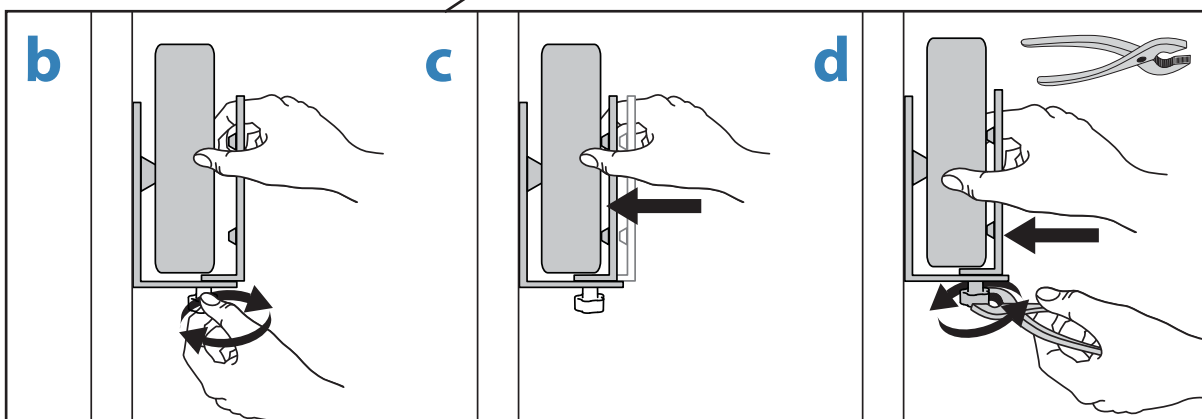
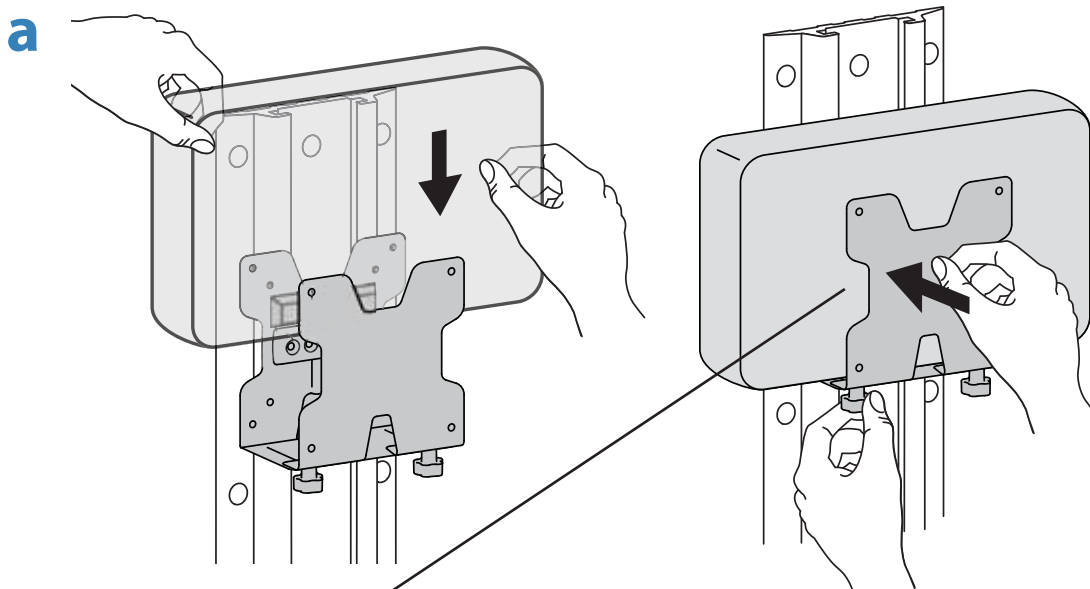
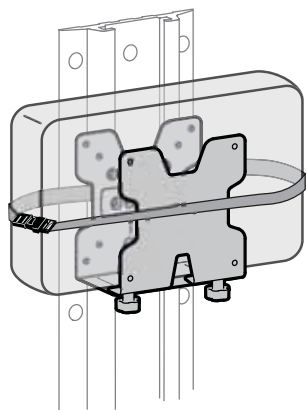
4 Tighten screws to secure brackets to Wall Track at desired height.



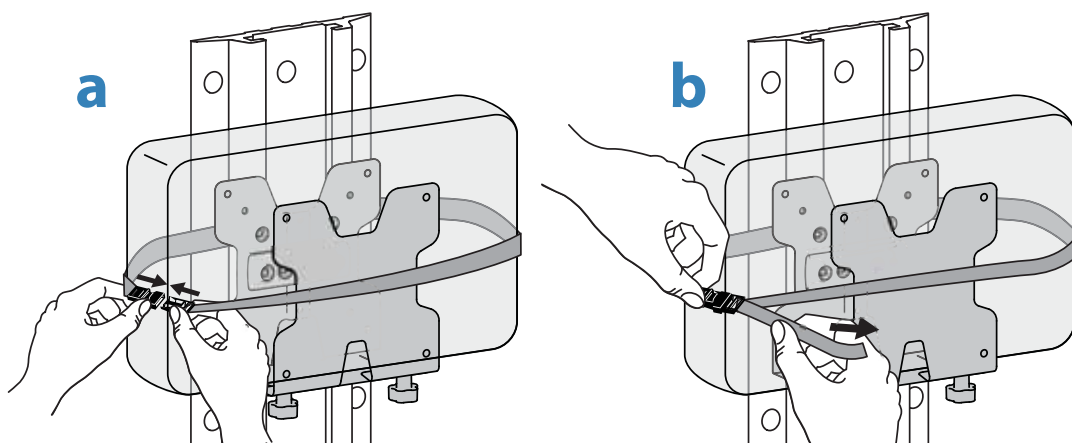
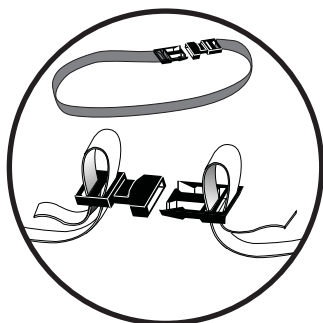
5 Attach brackets.

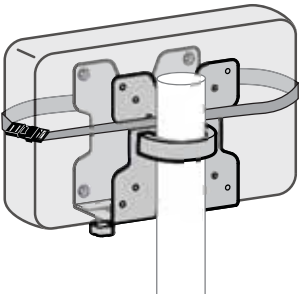


- 6**
- Attach Thin Client to brackets. Secure Thin Client.
 - Loosen knobs.
 - Push brackets together.
 - Tighten knobs with pliers as needed.



- 7** If you want to use the optional strap and buckle:
- Wrap the strap around the brackets and Thin Client then clip buckle together.
 - Tighten strap.

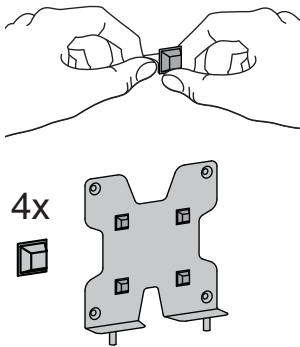




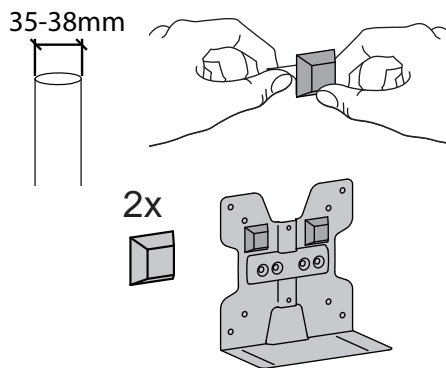
NOTE: If Thin Client is mounted on a pole, this may limit the amount of arm rotation.

1 Attach bump-ons as shown.

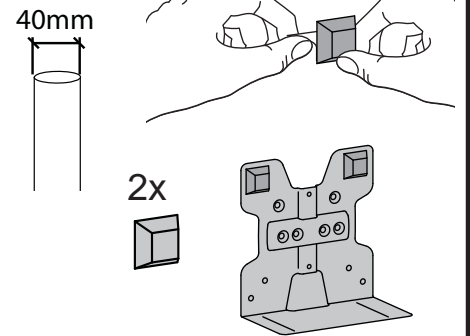
a



b Bump-on placement for 35-38mm pole attachment.

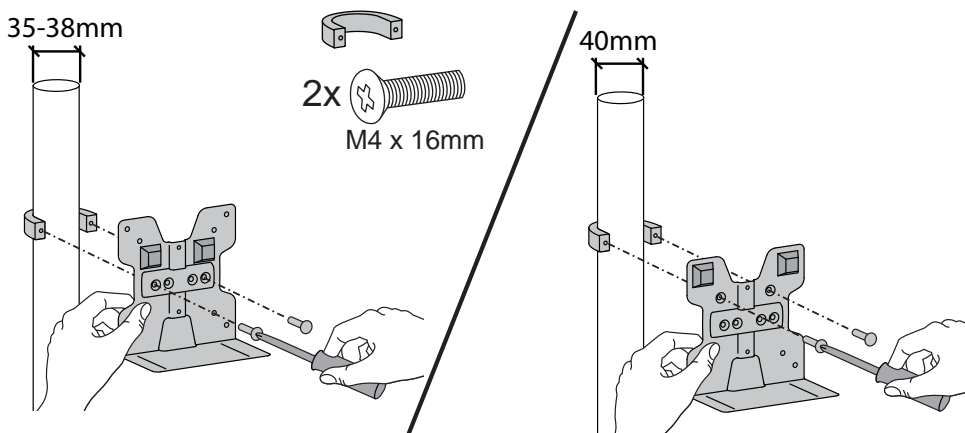


Bump-on placement for 40mm pole attachment.

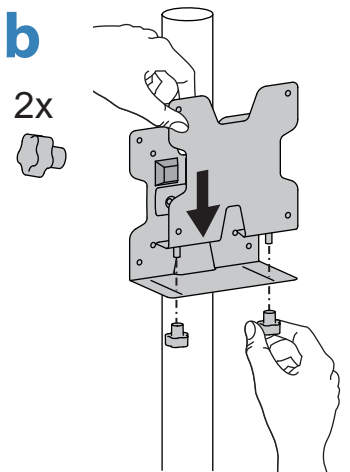


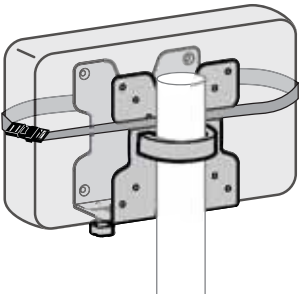
2 a. Attach bracket shown to pole and pole clamp.
b. Attach brackets.

a

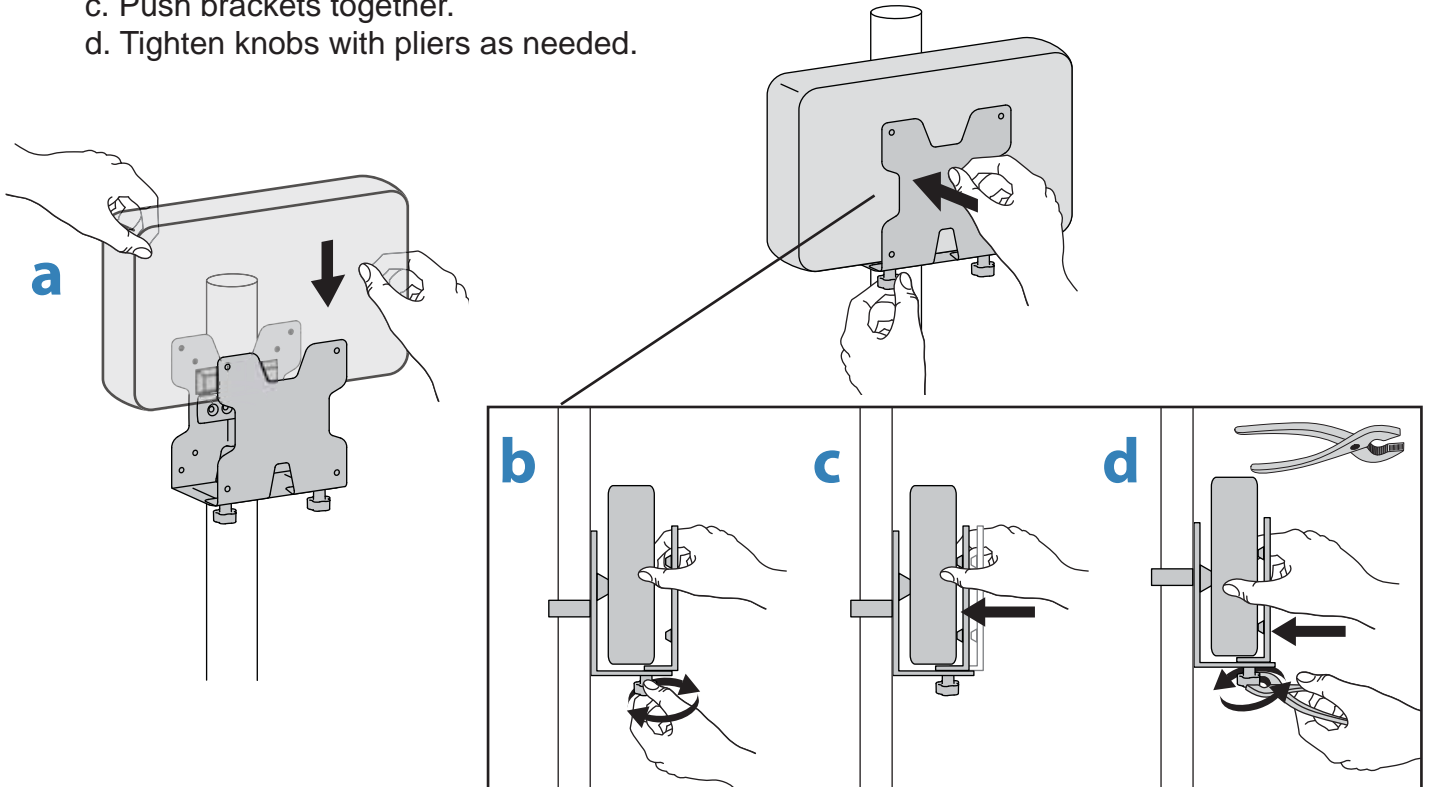


b

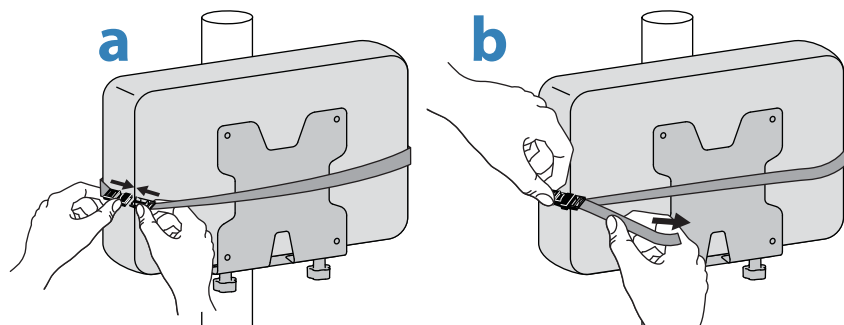
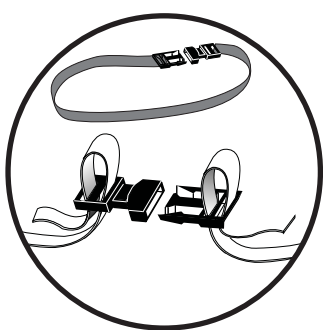


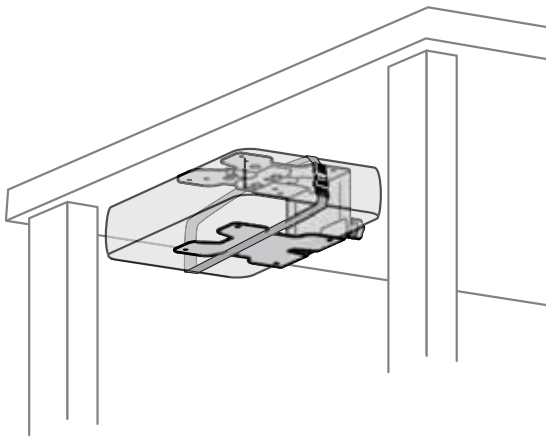


- 3**
- a. Attach Thin Client to brackets. Secure Thin Client.
 - b. Loosen knobs.
 - c. Push brackets together.
 - d. Tighten knobs with pliers as needed.

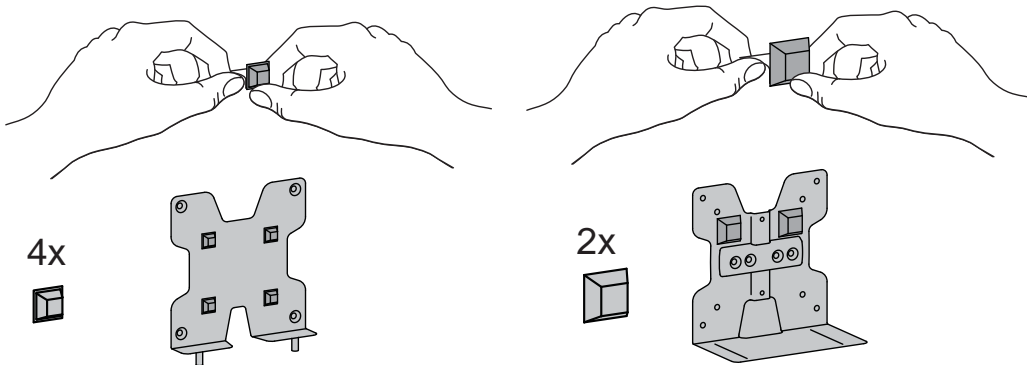


- 4** If you want to use the optional strap and buckle:
- a. Wrap the strap around the brackets and Thin Client then clip buckle together.
 - b. Tighten strap.

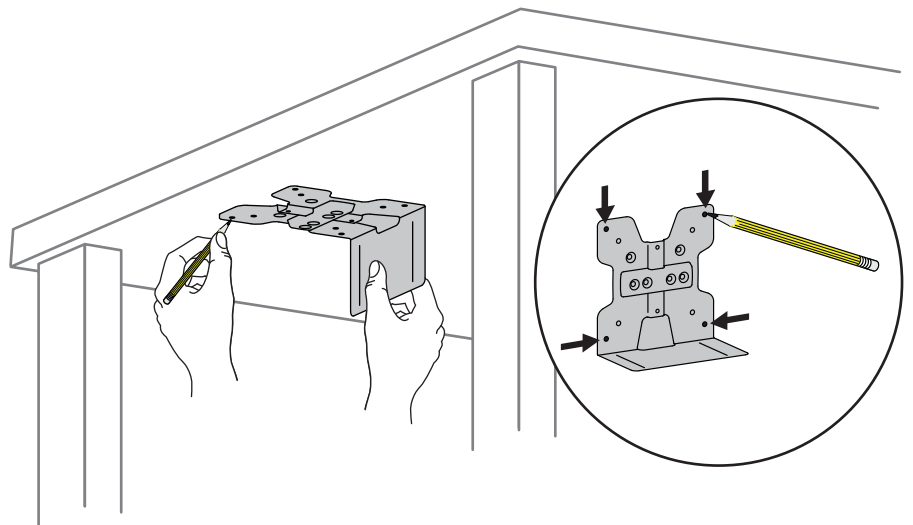




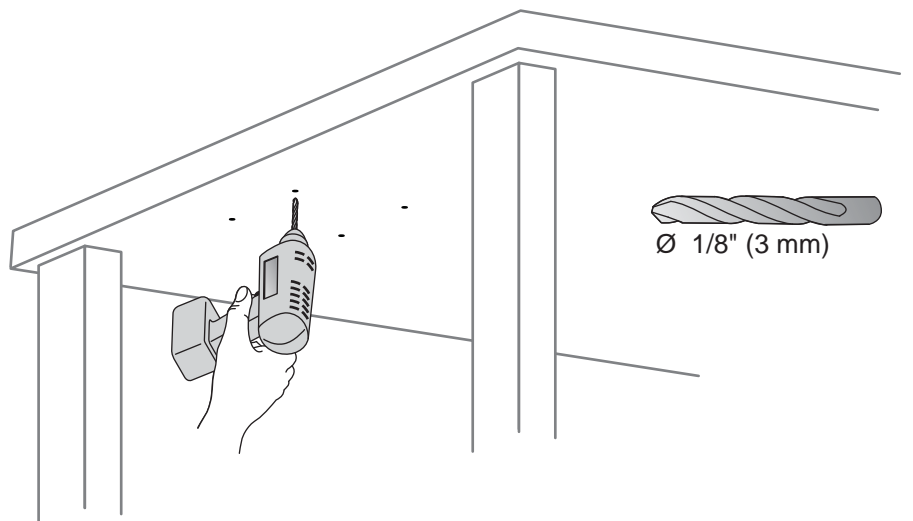
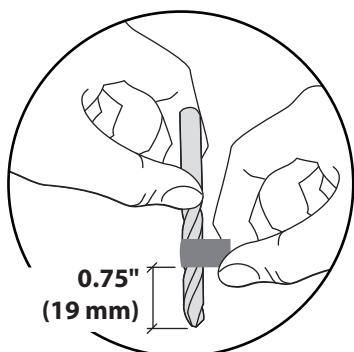
1 Attach bump-ons as shown.

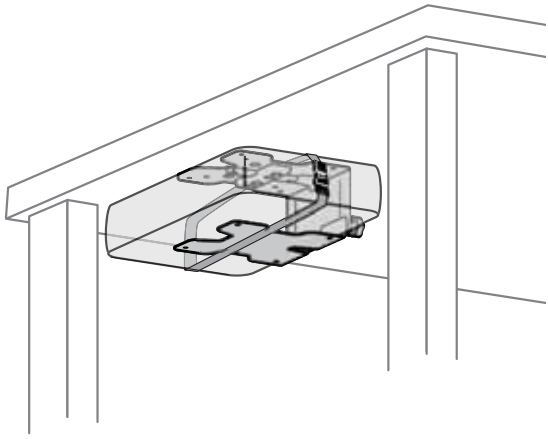


2 Mark mounting holes in desired location using bracket shown.



3 Drill holes.
TIP: To ensure proper depth, place a piece of tape on the drill bit 0.75" (19 mm) from the tip.

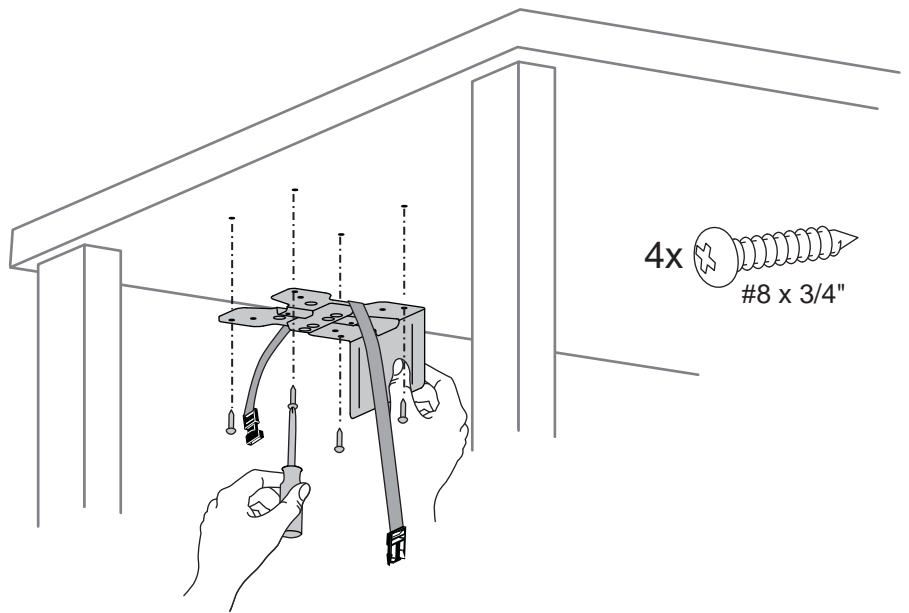
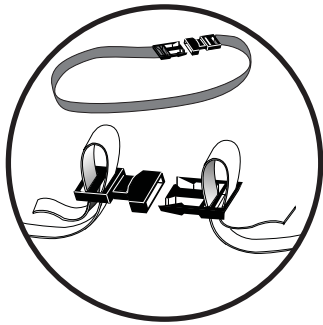




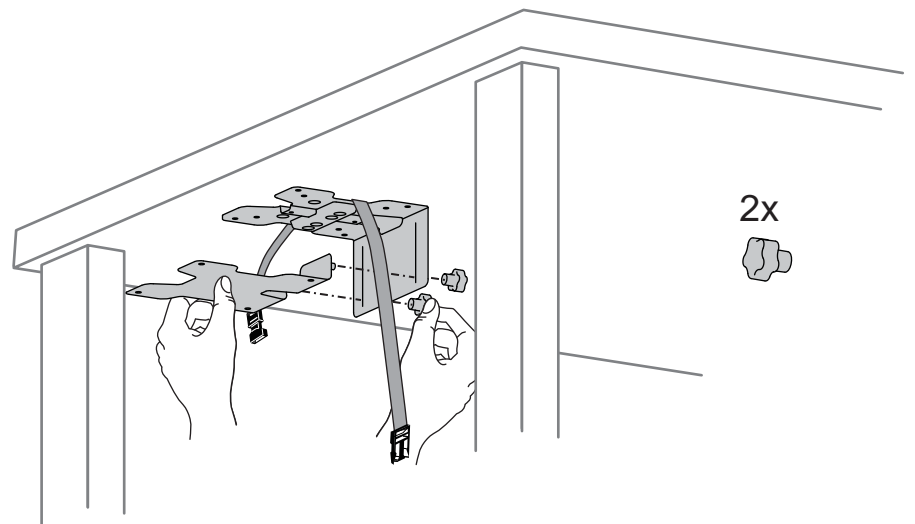
4 Attach bracket shown.

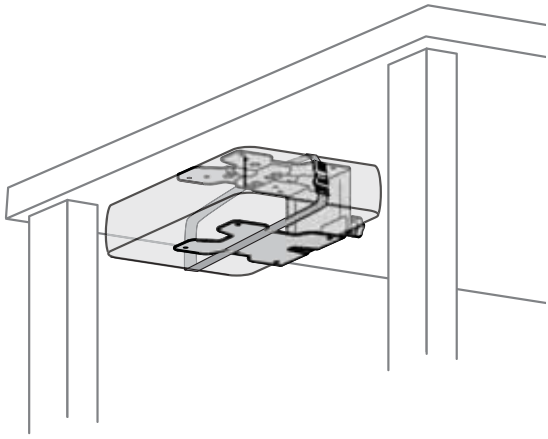


NOTE: Using the strap and buckle is optional. If you would like to include the strap and buckle, make sure the strap is between the desk and the bracket when attaching, as shown.

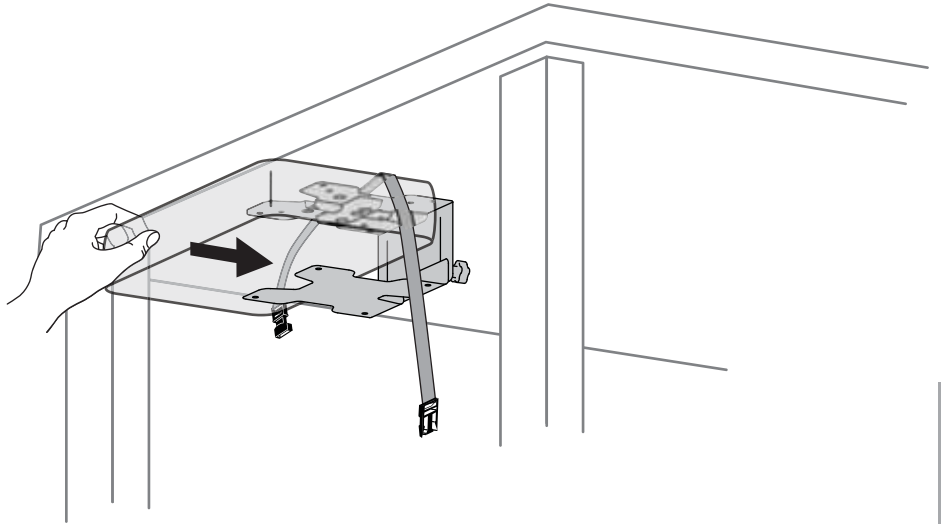


5 Attach brackets.



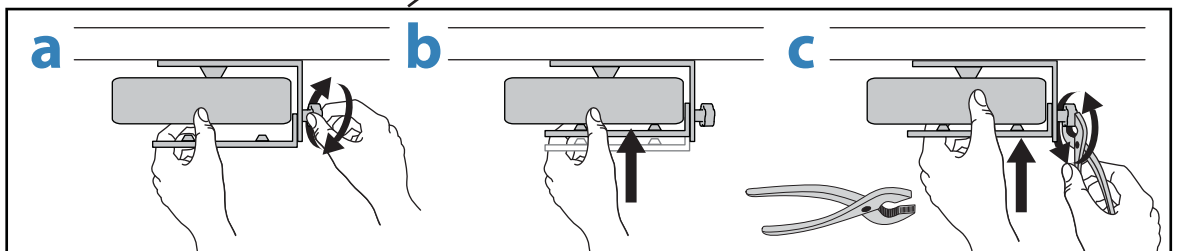
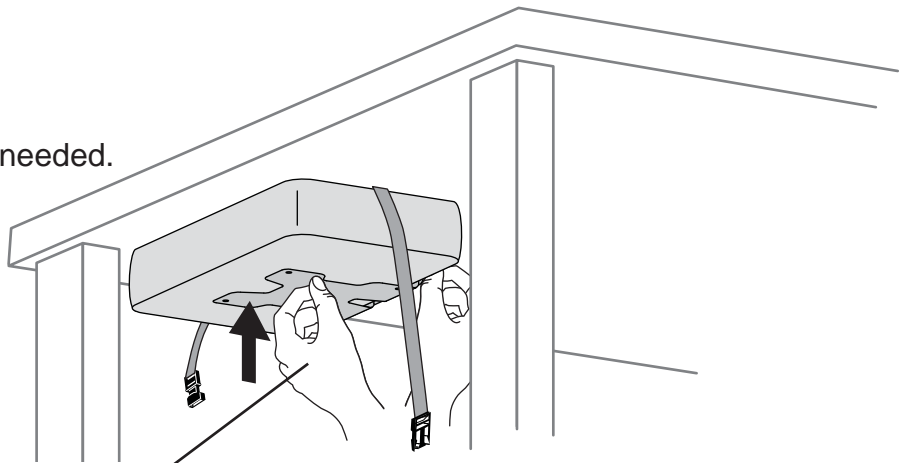


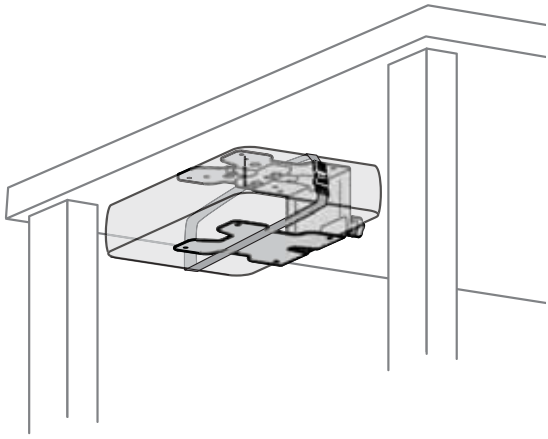
6 Attach Thin Client.



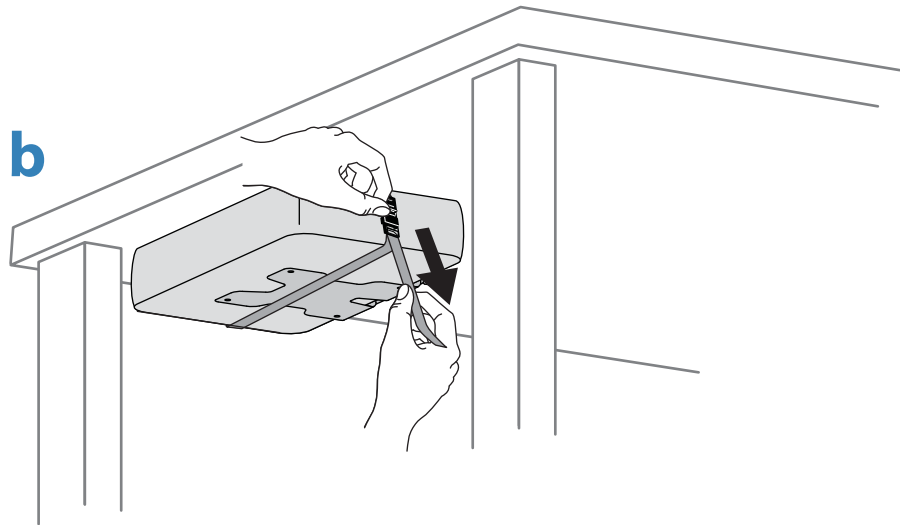
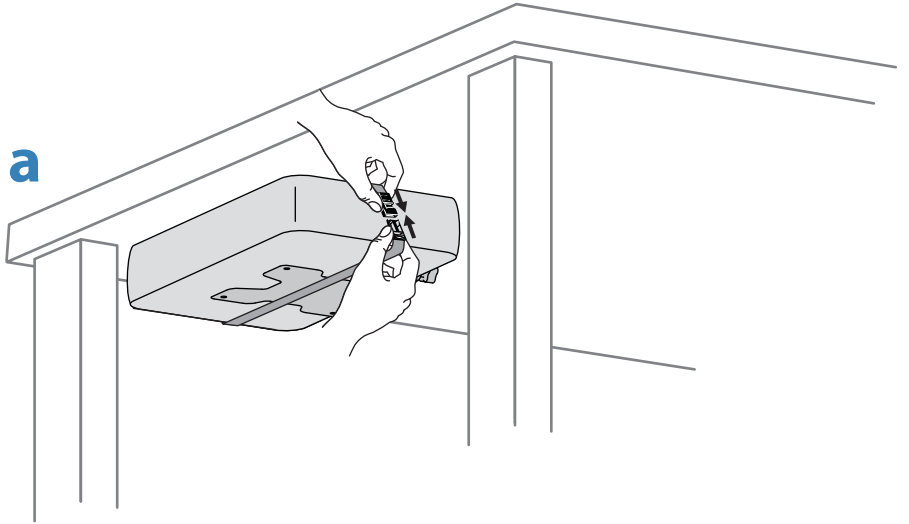
7 Secure Thin Client.

- a. Loosen knobs.
- b. Push brackets together.
- c. Tighten knobs with pliers as needed.

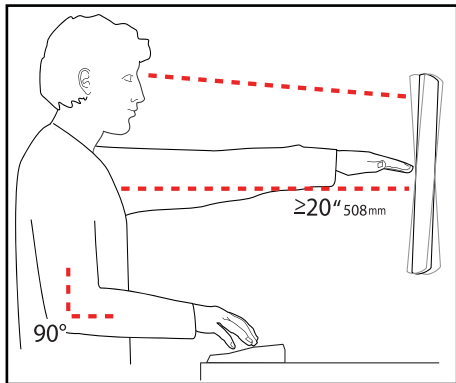




- 8** If you are using the optional strap and buckle:
- a. Wrap the strap around the brackets and Thin Client then clip buckle together.
 - b. Tighten strap.



Set Your Workstation to Work For YOU!



Learn more about ergonomic computer use at:
www.computingcomfort.org

- Height** Position top of screen slightly below eye level.
Position keyboard at about elbow height with wrists flat.
- Distance** Position screen an arm's length from face—at least 20" (508mm).
Position keyboard close enough to create a 90° angle in elbow.
- Angle** Tilt screen to eliminate glare.
Tilt the keyboard back 10° so that your wrists remain flat.

To Reduce Fatigue

- Breathe - Breathe deeply through your nose.
- Blink - Blink often to avoid dry eyes.
- Break • 2 to 3 minutes every 20 minutes
- 15 to 20 minutes every 2 hours.

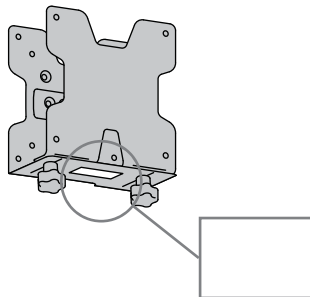
Service and Warranty

For service and warranty visit www.ergotron.com

For local customer care phone numbers visit: <http://contact.ergotron.com>



NOTE: When contacting customer service, reference the serial number.



Touchboards

205 Westwood Ave, Long Branch, NJ 07740
Phone: 866-94 BOARDS (26273) / (732)-222-1511
Fax: (732)-222-7088 | E-mail: sales@touchboards.com



© 2013 Ergotron, Inc.
All rights reserved.

While Ergotron, Inc. makes every effort to provide accurate and complete information on the installation and use of its products, it will not be held liable for any editorial errors or omissions (including those made in the process of translation from English to another language), or for incidental, special or consequential damages of any nature resulting from furnishing this instruction and performance of equipment in connection with this instruction. Ergotron, Inc. reserves the right to make changes in the product design and/or product documentation without notification to its users. For the most current product information, or to know if this document is available in languages other than those herein, please contact Ergotron. No part of this publication may be reproduced, stored in a retrieval system, or transmitted in any form or by any means, electronic, mechanical, photocopying, recording or otherwise without the prior written consent of Ergotron, Inc., 1181 Trapp Road, Eagan, Minnesota, 55121, USA. Patents Pending and Patented U.S. & Foreign. Ergotron is a registered trademark of Ergotron, Inc.

Americas Sales and Corporate Headquarters

St. Paul, MN USA
(800) 888-8458
+1-651-681-7600
www.ergotron.com
sales@ergotron.com

EMEA Sales

Amersfoort, The Netherlands
+31 33 45 45 600
www.ergotron.com
info.eu@ergotron.com

APAC Sales

Tokyo, Japan
www.ergotron.com
apaccustomerservice@ergotron.com

Worldwide OEM Sales

www.ergotron.com
info.oem@ergotron.com