

Wall Mount Bracket Kit



www.ergotron.com

USA 1-800-888-8458

Europe +31 (0)33-45 45 600

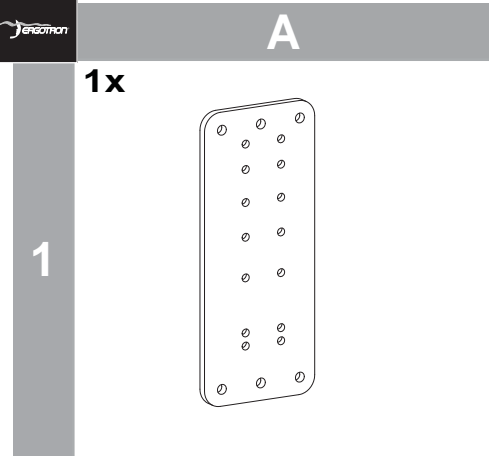
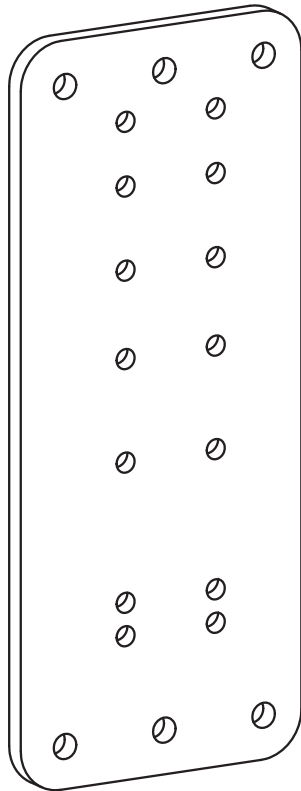
China 86-769-86018920

Touchboards

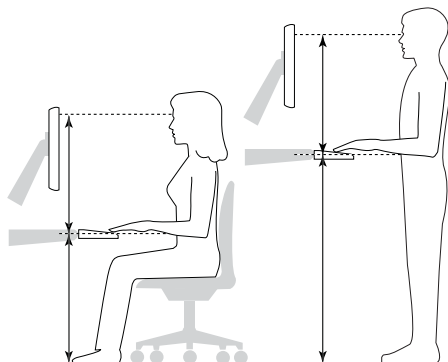
205 Westwood Ave, Long Branch, NJ 07740

Phone: 866-94 BOARDS (26273) / (732)-222-1511

Fax: (732)-222-7088 | E-mail: sales@touchboards.com



1



Ergonomic Mounting Heights for Sit and Stand Workstations

Overview
When mounted properly, Ergotron ADJUST™ will provide ergonomic monitor viewing and keyboard operation for a wide range of users - without wiring or in-wireless situations. The advanced mounting and brackets contained in this guide can be used to determine the ergonomically correct mounting height of any of Ergotron's Sit and Stand Workstation solutions relative to user's vertical or horizontal surface. If mounting above a horizontal surface, mounting height may change due to various workstation heights.

The illustrations, table on page 10 shows how mounting heights are calculated based on the user's elbow height of male and female operators.

To meet your final needs, height of installation of an ergonomically correct height, that is made a final decision as attached.

FIND YOUR MOUNTING APPLICATION

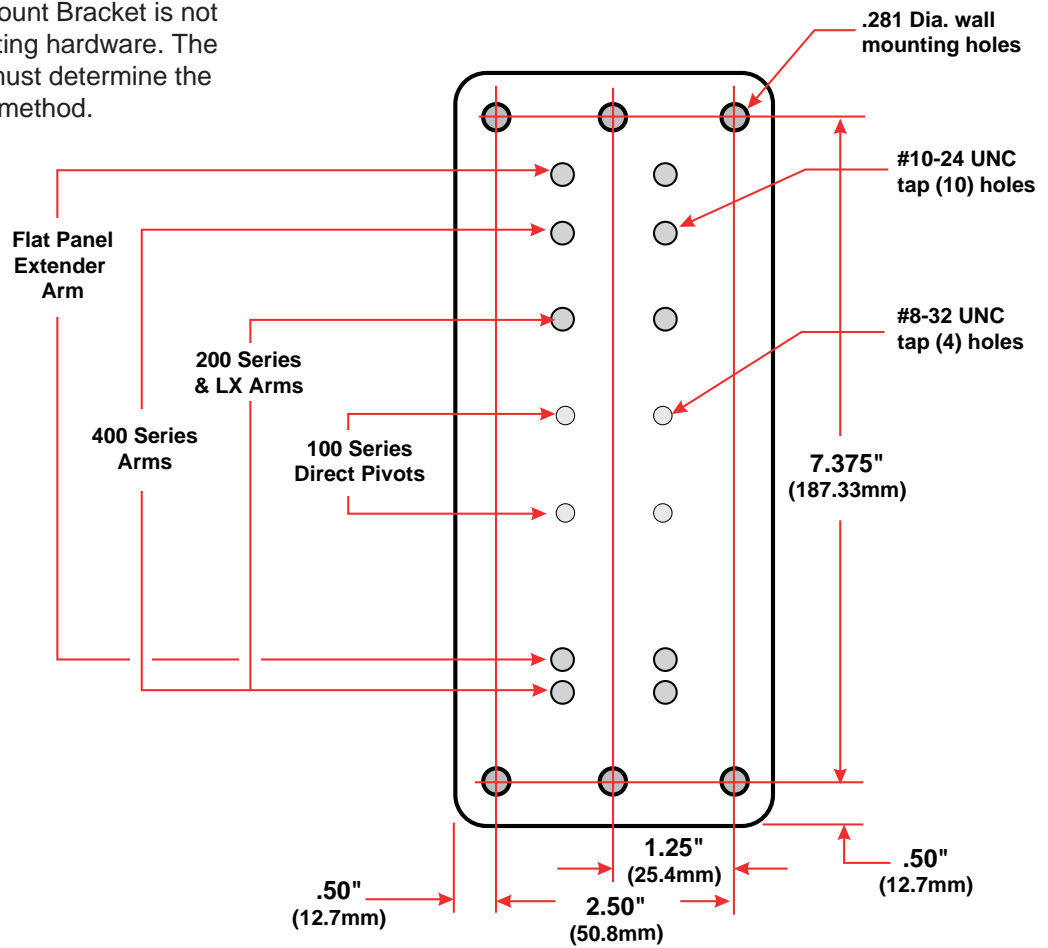
FIND "x" - Distance between Center Line of Mounting Hole and Top of Monitor Cradle.

USE "x" to calculate mounting height for your application.

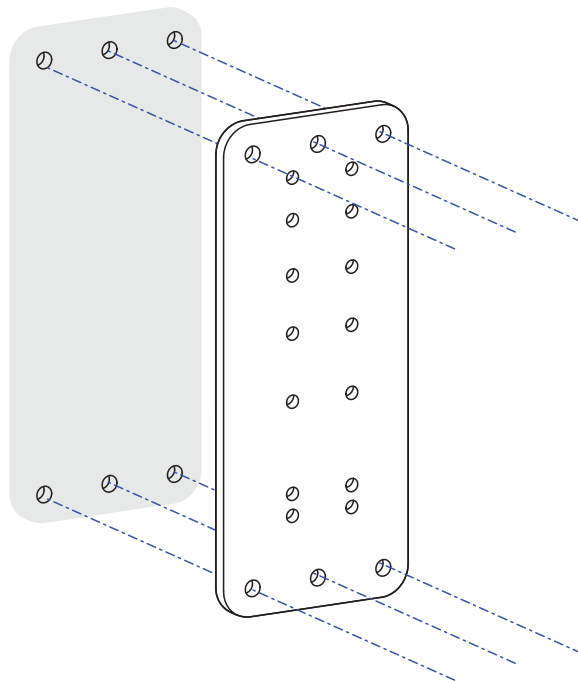
Rev. E. 1202 1 of 10 888-99-014-02

888-99-014

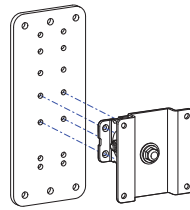
NOTE: The Wall Mount Bracket is not shipped with mounting hardware. The building engineer must determine the proper attachment method.



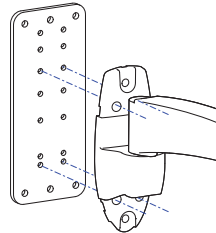
WARNING: The Ergotron Wall Mount Bracket must be securely attached to your wall. Because wall construction varies widely and your ultimate mounting method is out of Ergotron's control, it is imperative that you consult with appropriate local engineering, architectural, or construction personnel to ensure that the Wall Mount Bracket is mounted properly to handle applied loads.



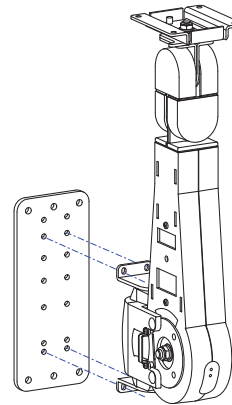
100 Series Direct Pivots



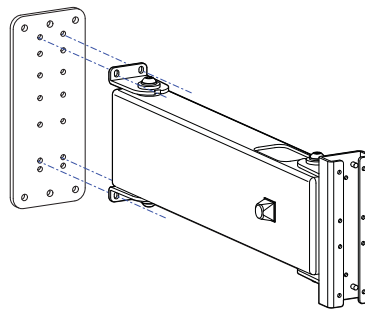
200 Series & LX Arms



400 Series Arms



Flat Panel Extender Arm



© 2009 Ergotron, Inc.
All rights reserved.

While Ergotron, Inc. makes every effort to provide accurate and complete information on the installation and use of its products, it will not be held liable for any editorial errors or omissions (including those made in the process of translation from English to another language), or for incidental, special or consequential damages of any nature resulting from furnishing this instruction and performance of equipment in connection with this instruction. Ergotron, Inc. reserves the right to make changes in the product design and/or product documentation without notification to its users. For the most current product information, or to know if this document is available in languages other than those herein, please contact Ergotron. No part of this publication may be reproduced, stored in a retrieval system, or transmitted in any form or by any means, electronic, mechanical, photocopying, recording or otherwise without the prior written consent of Ergotron, Inc., 1181 Trapp Road, Eagan, Minnesota, 55121, USA Patents Pending and Patented U.S. & Foreign. Ergotron is a registered trademark of Ergotron, Inc.

Americas Sales and Corporate Headquarters

St. Paul, MN USA
(800) 888-8458
+1-651-681-7600
www.ergotron.com
sales@ergotron.com

EMEA Sales

Amersfoort, The Netherlands
+31 33 45 45 600
www.ergotron.com
info.eu@ergotron.com

APAC Sales

Tokyo, Japan
www.ergotron.com
info.apac@ergotron.com

Worldwide OEM Sales

www.ergotron.com
info.oem@ergotron.com

