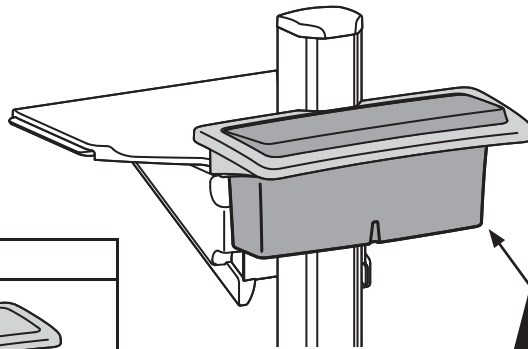


www.ergotron.com
 USA 1-800-888-8458
 Europe +31 (0)33-45 45 600
 China 86-769-86018920

ASSEMBLY INSTRUCTIONS
 Instrucciones de instalación
 Notice d'assemblage
 Montageanleitungen
 Installatie instructies
 Manuali d'istruzioni
 取扱い説明書
 安装说明

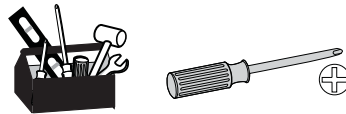
	A	
1	1x	
2	1x	
3	2x	



Max weight capacity: 5 lbs (2.27 kg)



WARNING!
TIPPING HAZARD
 Max weight capacity: 5 lbs (2.27 kg)
DO NOT exceed 5 lbs (2.27 kg) on additional worksurface. Failure to follow this warning may result in an unstable situation that may cause equipment damage and/or personal injury.



205 Westwood Ave, Long Branch, NJ 07740
 Phone: 866-94 BOARDS (26273) / (732)-222-1511
 Fax: (732)-222-7088 | E-mail: sales@touchboards.com

