

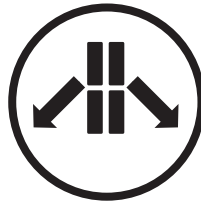
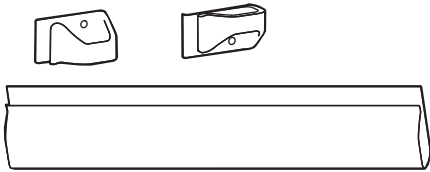
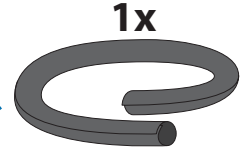
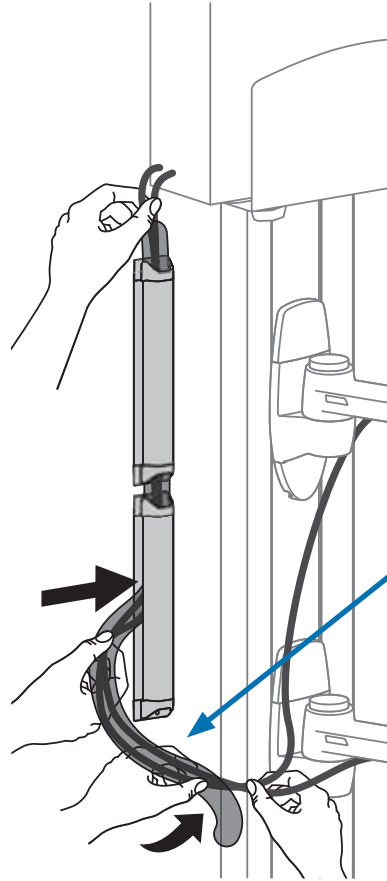
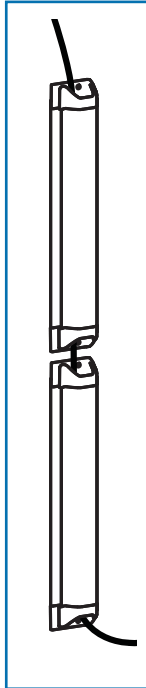
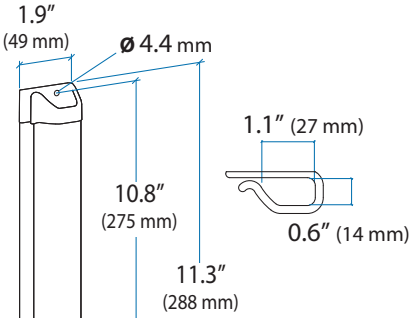
[www.ergotron.com](http://www.ergotron.com)  
 USA 1-800-888-8458  
 Europe +31 (0)33-45 45 600  
 China 86-769-86018920

User's Guide  
 Guía del usuario  
 Manuel de l'utilisateur  
 Benutzerhandbuch  
 Gebruikersgids  
 Guida per l'utente  
 ユーザーガイド  
 用户指南  
 사용자 안내서

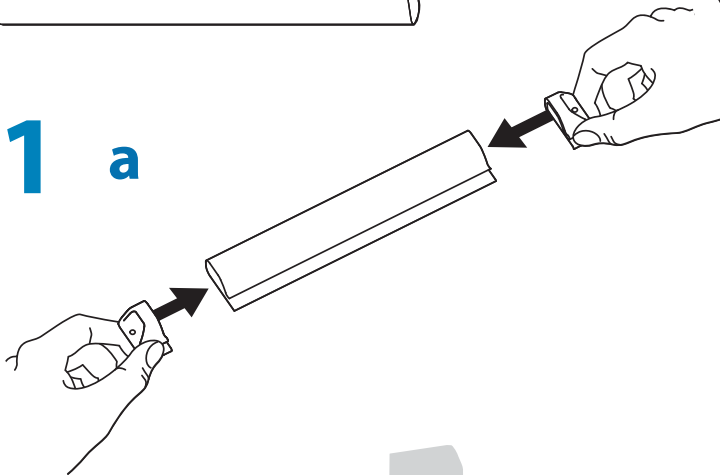
**Touchboards**

205 Westwood Ave, Long Branch, NJ 07740  
 Phone: 866-94 BOARDS (26273) / (732)-222-1511  
 Fax: (732)-222-7088 | E-mail: sales@touchboards.com

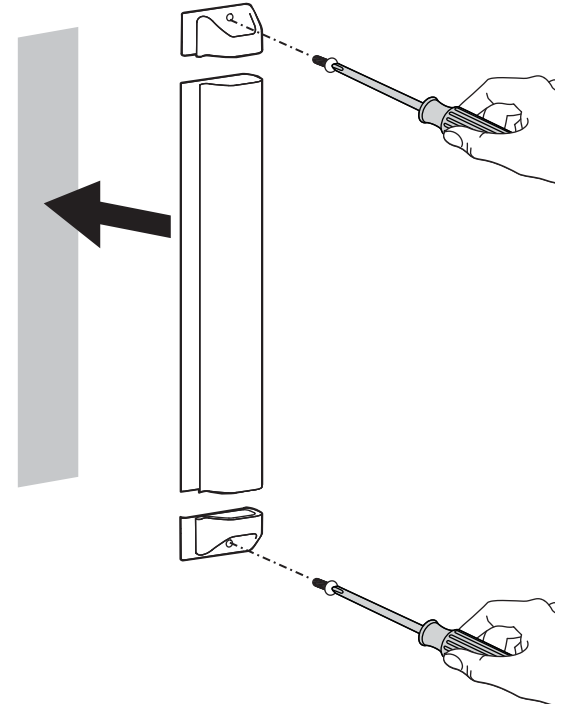
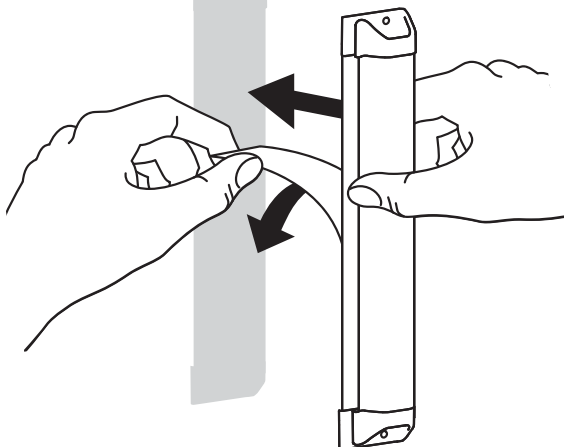
Cable Channel	Dimensions
Canal para cables	Dimensiones
Canal du câble	Dimensions
Kabelkanal	Abmessungen
Kabelkanaal	Afmetingen
Canale portacavi	Dimensioni
ケーブルチャンネル	寸法
电缆槽	尺寸

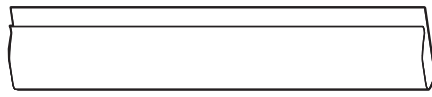
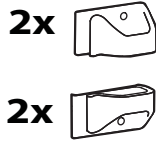
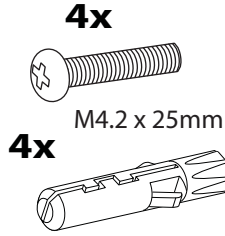


**1 a**

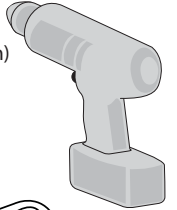
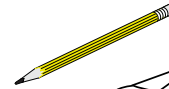
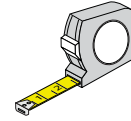


**b**

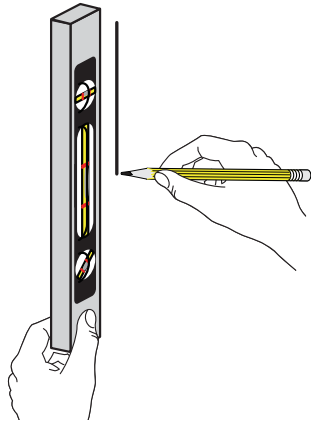




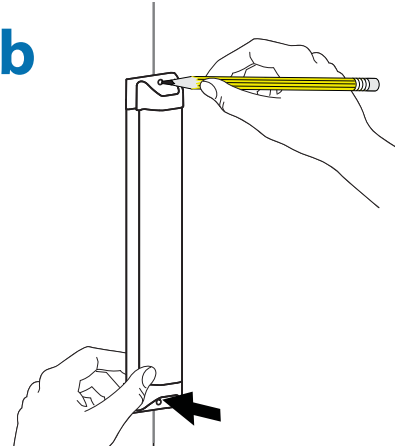
Ø 7/32" (xx mm)  
.21875



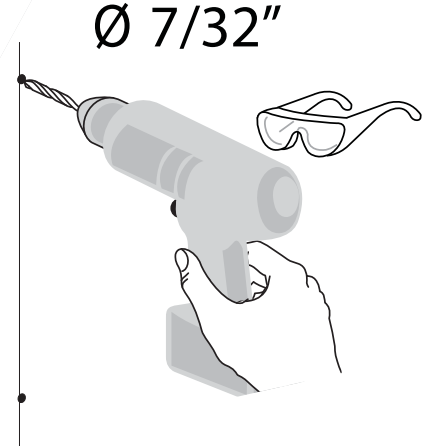
**1 a**



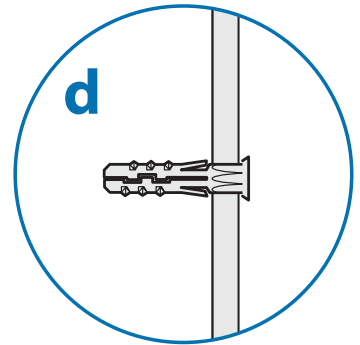
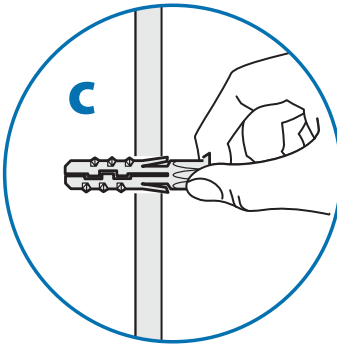
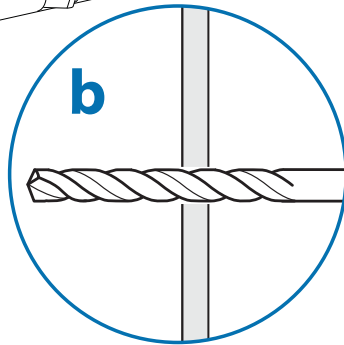
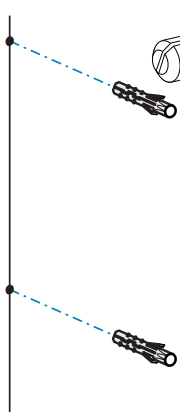
**b**



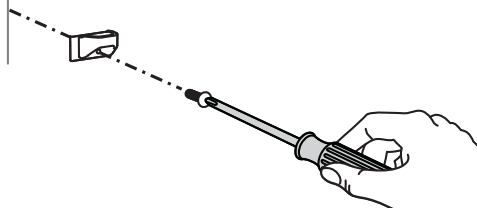
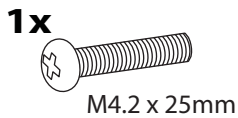
**c**



**2 a**



**3 a**



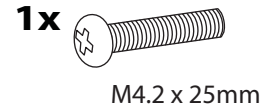
**b**



**c**



**d**



© 2010 Ergotron, Inc.  
All rights reserved.

While Ergotron, Inc. makes every effort to provide accurate and complete information on the installation and use of its products, it will not be held liable for any editorial errors or omissions (including those made in the process of translation from English to another language), or for incidental, special or consequential damages of any nature resulting from furnishing this instruction and performance of equipment in connection with this instruction. Ergotron, Inc. reserves the right to make changes in the product design and/or product documentation without notification to its users. For the most current product information, or to know if this document is available in languages other than those herein, please contact Ergotron. No part of this publication may be reproduced, stored in a retrieval system, or transmitted in any form or by any means, electronic, mechanical, photocopying, recording or otherwise without the prior written consent of Ergotron, Inc., 1181 Trapp Road, Eagan, Minnesota, 55121, USA. Patents Pending and Patented U.S. & Foreign. Ergotron is a registered trademark of Ergotron, Inc.

**Americas Sales and  
Corporate Headquarters**

St. Paul, MN USA  
(800) 888-8458  
+1-651-681-7600  
www.ergotron.com  
sales@ergotron.com

**EMEA Sales**

Amersfoort, The Netherlands  
+31 33 45 45 600  
www.ergotron.com  
info.eu@ergotron.com

**APAC Sales**

Tokyo, Japan  
www.ergotron.com  
apaccustomerservice@ergotron.com

**Worldwide OEM Sales**

www.ergotron.com  
info.oem@ergotron.com