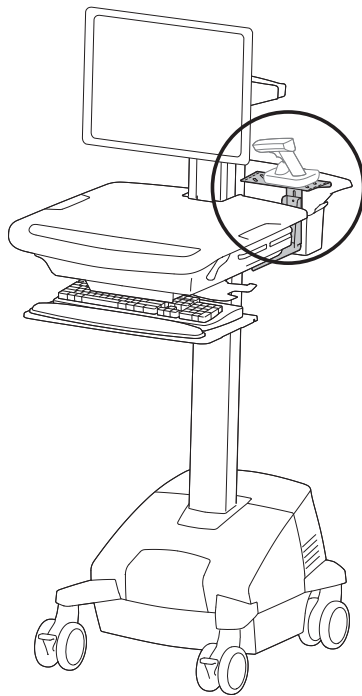
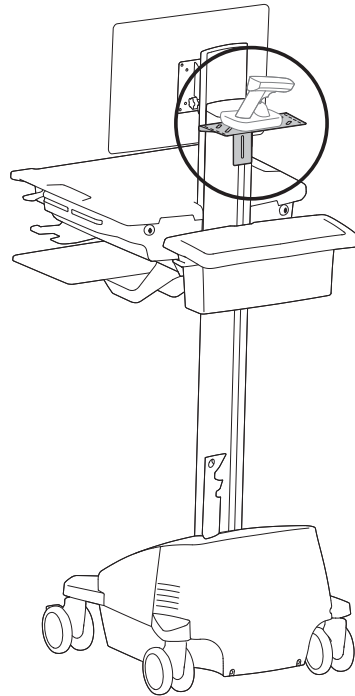


SV Scanner Shelf

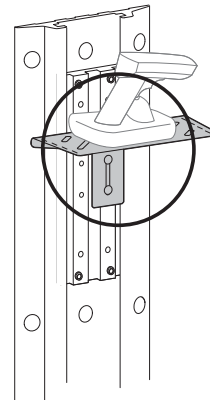
NOTE: Scanner is supplied by customer.



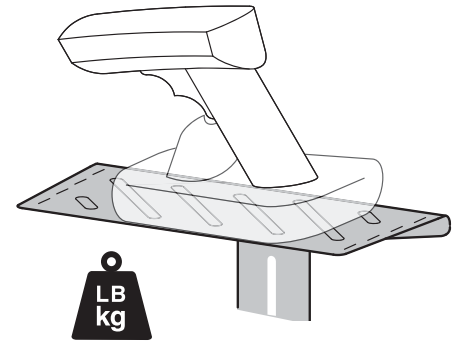
SV Cart & Head Unit



Back of SV Cart

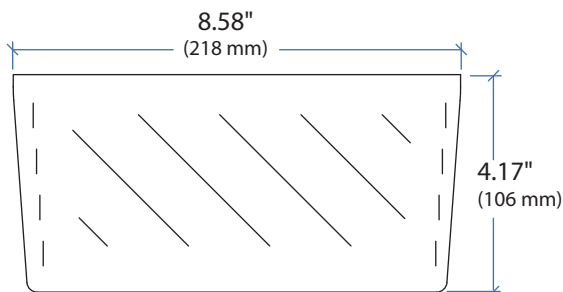


Wall Track



Max weight: 2 lbs (1 kg)*

Dimensions



*Maximum SV LCD Cart Weight Capacity 35 lbs. (16 kg). This is the sum of LCD monitor, CPU, keyboard/mouse, scanner and any worksurface load, including drawers, if present.

*Maximum SV Laptop Cart Weight Capacity 22 lbs. (10 kg). This is the sum of laptop, keyboard/mouse, scanner and any worksurface load, including drawers, if present.

© 2013 Ergotron, Inc. rev. 07/12/2013 DIM-SVscanshelf Content is subject to change without notification

Americas Sales and Corporate Headquarters

St. Paul, MN USA
(800) 888-8458
+1-651-681-7600
www.ergotron.com
sales@ergotron.com

EMEA Sales

Amersfoort, The Netherlands
+31 33 45 45 600
www.ergotron.com
info.eu@ergotron.com

APAC Sales

Tokyo, Japan
www.ergotron.com
apaccustomerservice@ergotron.com

Worldwide OEM Sales

www.ergotron.com
info.oem@ergotron.com

