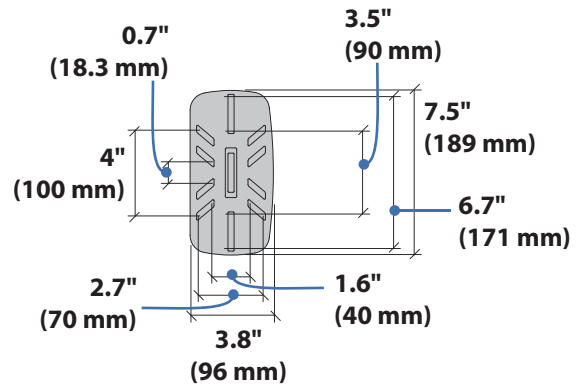
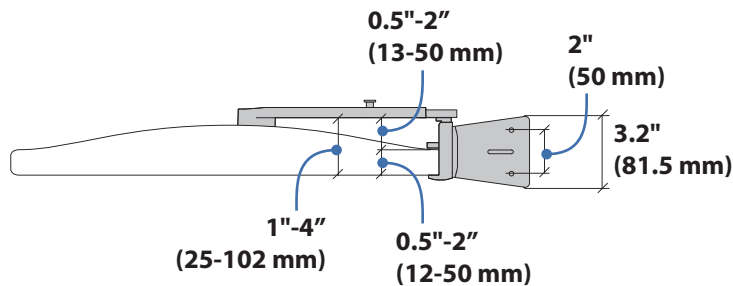
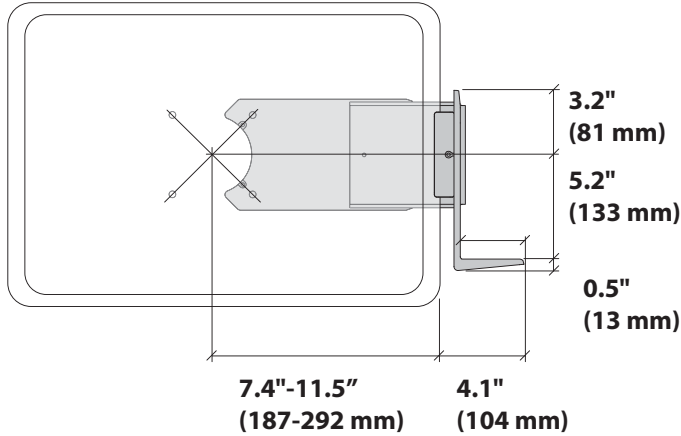
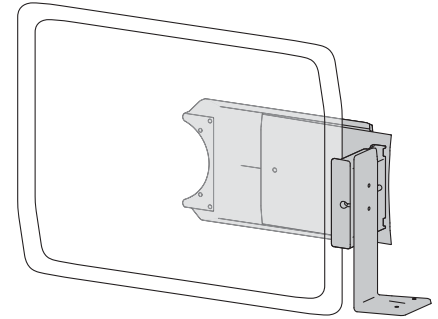


### VESA Scanner Bracket



$\text{2.2 lbs (1 kg)}$

Make sure you know the max. weight capacity of your mounting solution before attaching the scanner shelf. Include the weight of your monitor, scanner shelf, scanner base and scanner: xxx lbs (xxx kg) when figuring mounted weight on your mounting solution.

© 2013 Ergotron, Inc. rev. 09/26/2013 DIM-ScannerVESA Content is subject to change without notification

#### Americas Sales and Corporate Headquarters

St. Paul, MN USA  
 (800) 888-8458  
 +1-651-681-7600  
 www.ergotron.com  
 sales@ergotron.com

#### EMEA Sales

Amersfoort, The Netherlands  
 +31 33 45 45 600  
 www.ergotron.com  
 info.eu@ergotron.com

#### APAC Sales

Tokyo, Japan  
 www.ergotron.com  
 apaccustomerservice@ergotron.com

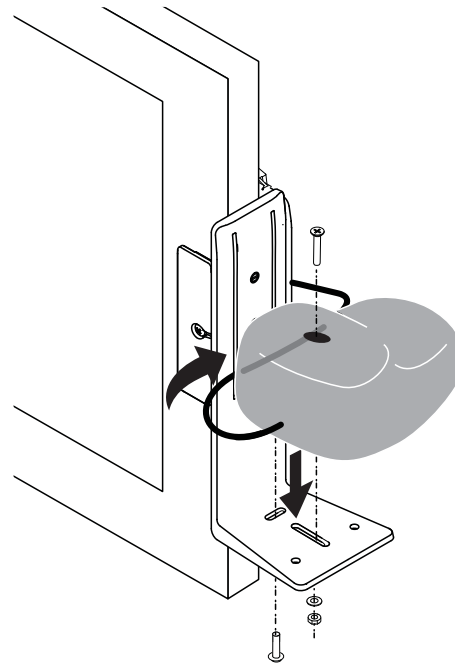
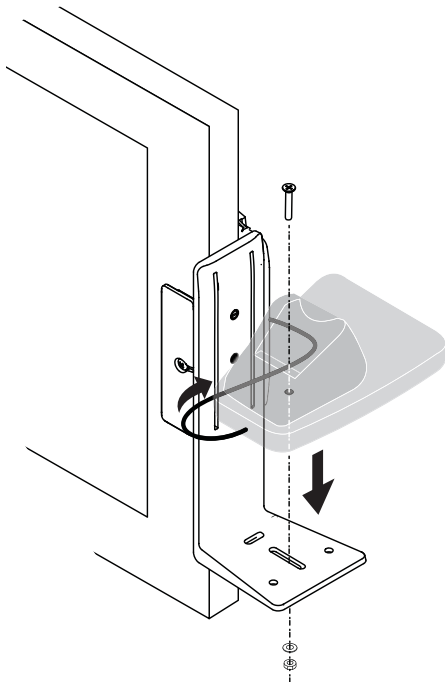
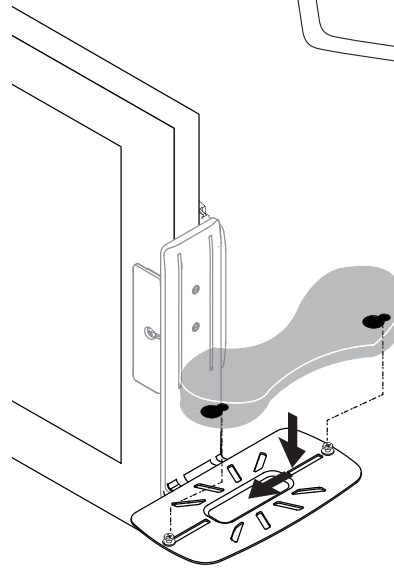
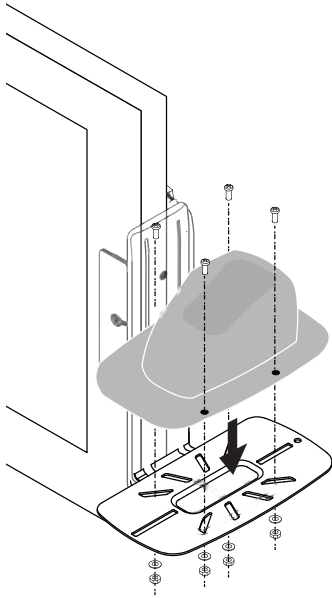
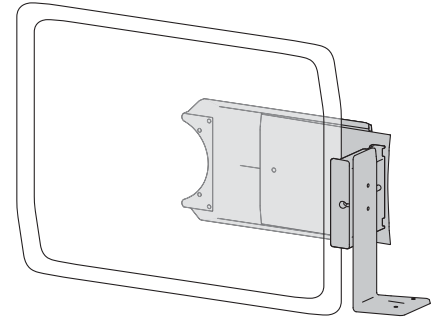
#### Worldwide OEM Sales

www.ergotron.com  
 info.oem@ergotron.com



### VESA Scanner Bracket

#### Scanner Base Attachment Options:



© 2013 Ergotron, Inc. rev. 09/26/2013 DIM-ScannerVESA Content is subject to change without notification

#### Americas Sales and Corporate Headquarters

St. Paul, MN USA  
(800) 888-8458  
+1-651-681-7600  
www.ergotron.com  
sales@ergotron.com

#### EMEA Sales

Amersfoort, The Netherlands  
+31 33 45 45 600  
www.ergotron.com  
info.eu@ergotron.com

#### APAC Sales

Tokyo, Japan  
www.ergotron.com  
apaccustomerservice@ergotron.com

#### Worldwide OEM Sales

www.ergotron.com  
info.oem@ergotron.com

