

Ergotron® StyleView Cart

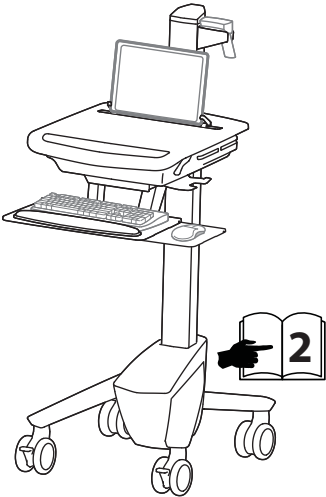
StyleView® Carts

Dimensional Illustrations

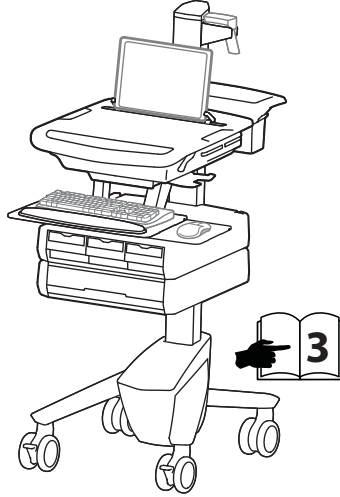
Touchboards

205 Westwood Ave, Long Branch, NJ 07740
 Phone: 866-94 BOARDS (26273) / (732)-222-1511
 Fax: (732)-222-7088 | E-mail: sales@touchboards.com

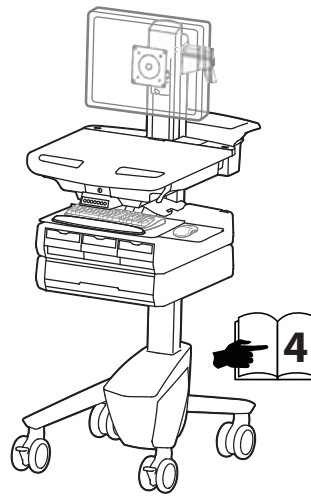
SV40 Laptop



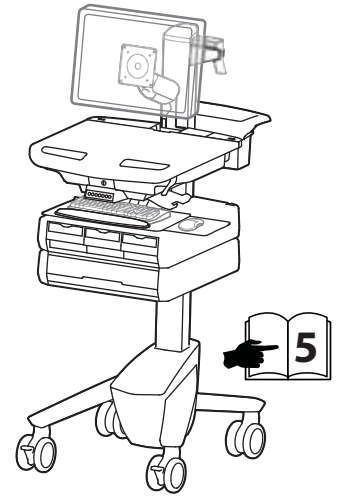
SV41/SV43 Laptop



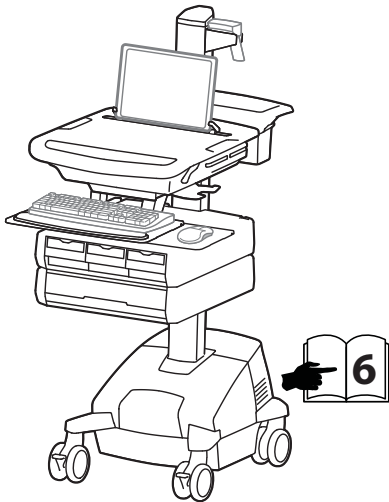
SV41/SV43 LCD Pivot



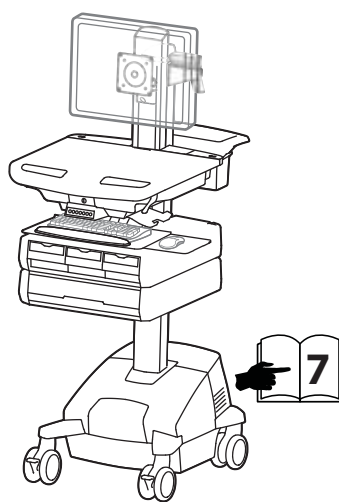
SV41/SV43 LCD Arm



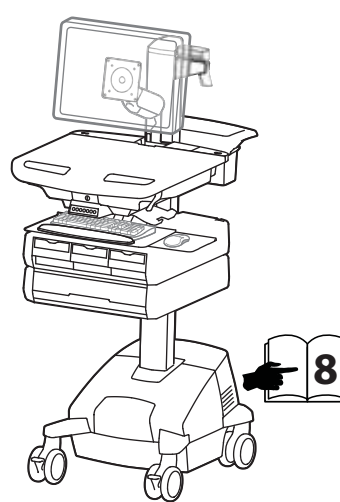
SV42/SV44 Laptop



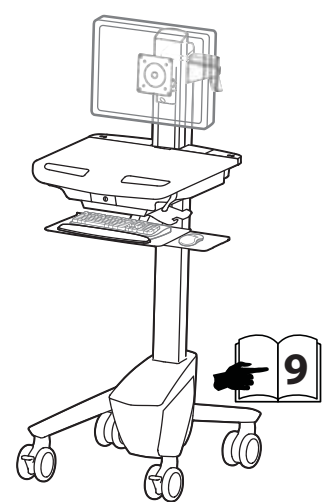
SV42/SV44 LCD Pivot



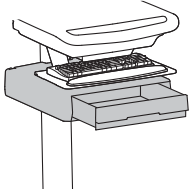
SV42/SV44 LCD Arm



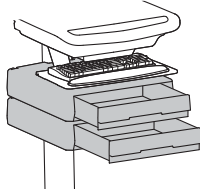
SV40 LCD Pivot



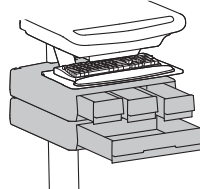
1 Drawer



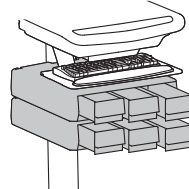
2 Drawers



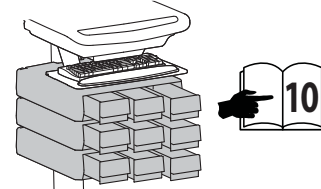
4 Drawers



6 Drawers



9 Drawers



© 2014 Ergotron, Inc. rev. 03/16/2015 DIM-SV4X-Drawers Content is subject to change without notification

Americas Sales and Corporate Headquarters

St. Paul, MN USA
 (800) 888-8458
 +1-651-681-7600
 www.ergotron.com
 sales@ergotron.com

EMEA Sales

Amersfoort, The Netherlands
 +31 33 45 45 600
 www.ergotron.com
 info.eu@ergotron.com

APAC Sales

Tokyo, Japan
 www.ergotron.com
 apaccustomerservice@ergotron.com

Worldwide OEM Sales

www.ergotron.com
 info.oem@ergotron.com

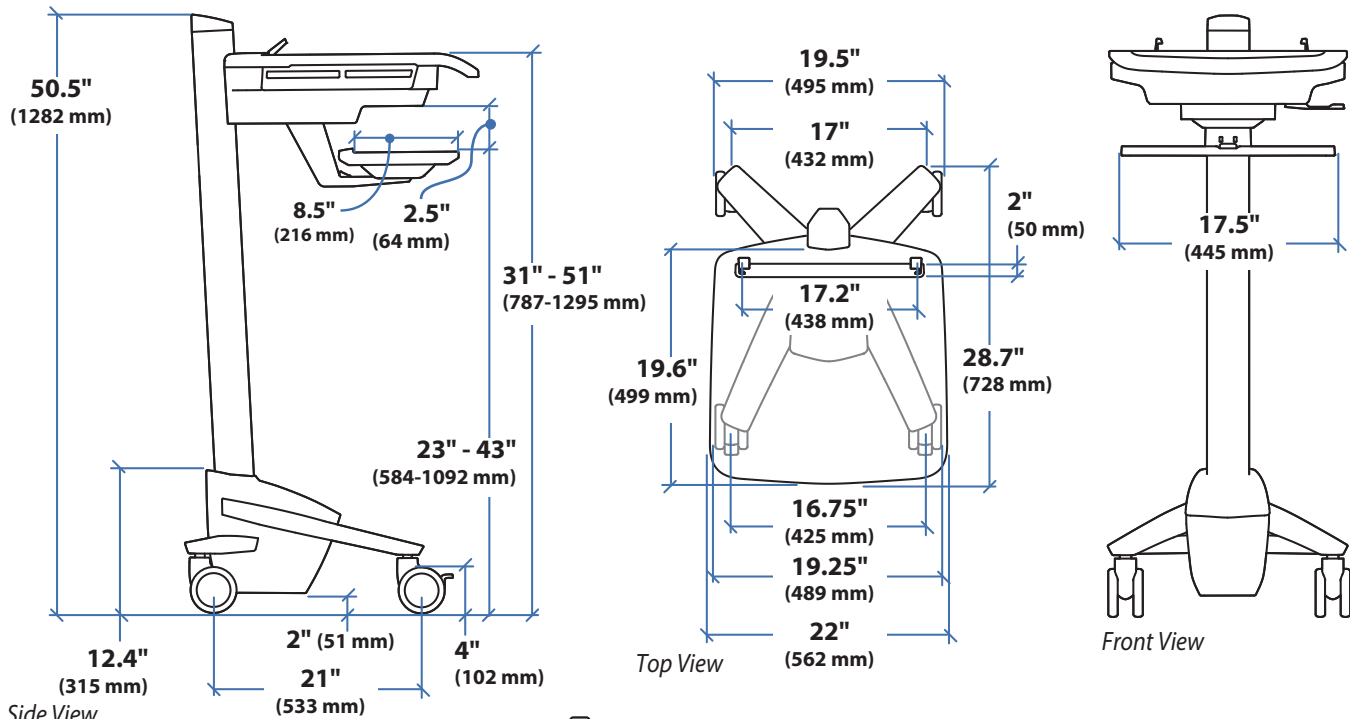


Ergotron® StyleView Cart

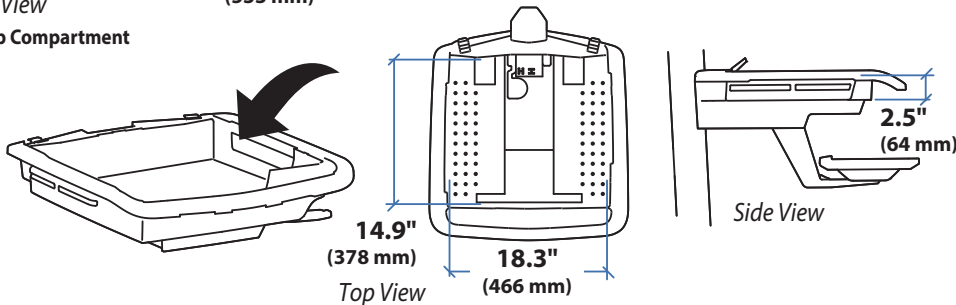
Dimensional Illustrations

StyleView® Laptop Cart, SV40

Dimensions

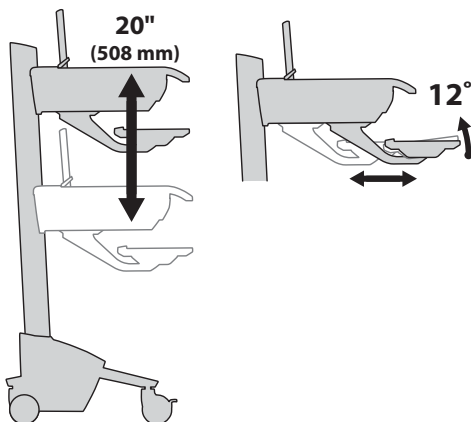


Laptop Compartment



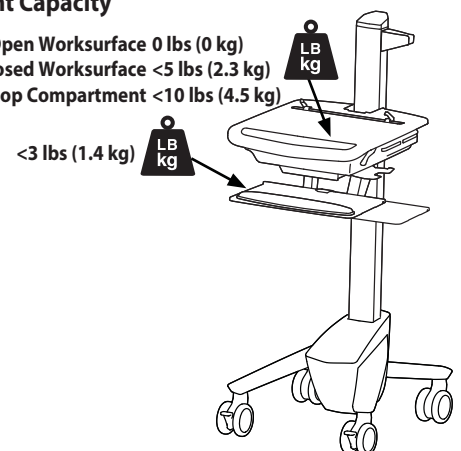
When figuring dimensions, include mounted accessories, protruding cables and port replicators or docking stations.

Range of Motion



Weight Capacity

- Open Worksurface 0 lbs (0 kg)
- Closed Worksurface <5 lbs (2.3 kg)
- Laptop Compartment <10 lbs (4.5 kg)



© 2014 Ergotron, Inc. rev. 03/16/2015 DIM-SV4X-Drawers Content is subject to change without notification

Americas Sales and Corporate Headquarters

St. Paul, MN USA
 (800) 888-8458
 +1-651-681-7600
 www.ergotron.com
 sales@ergotron.com

EMEA Sales

Amersfoort, The Netherlands
 +31 33 45 45 600
 www.ergotron.com
 info.eu@ergotron.com

APAC Sales

Tokyo, Japan
 www.ergotron.com
 apaccustomerservice@ergotron.com

Worldwide OEM Sales

www.ergotron.com
 info.oem@ergotron.com

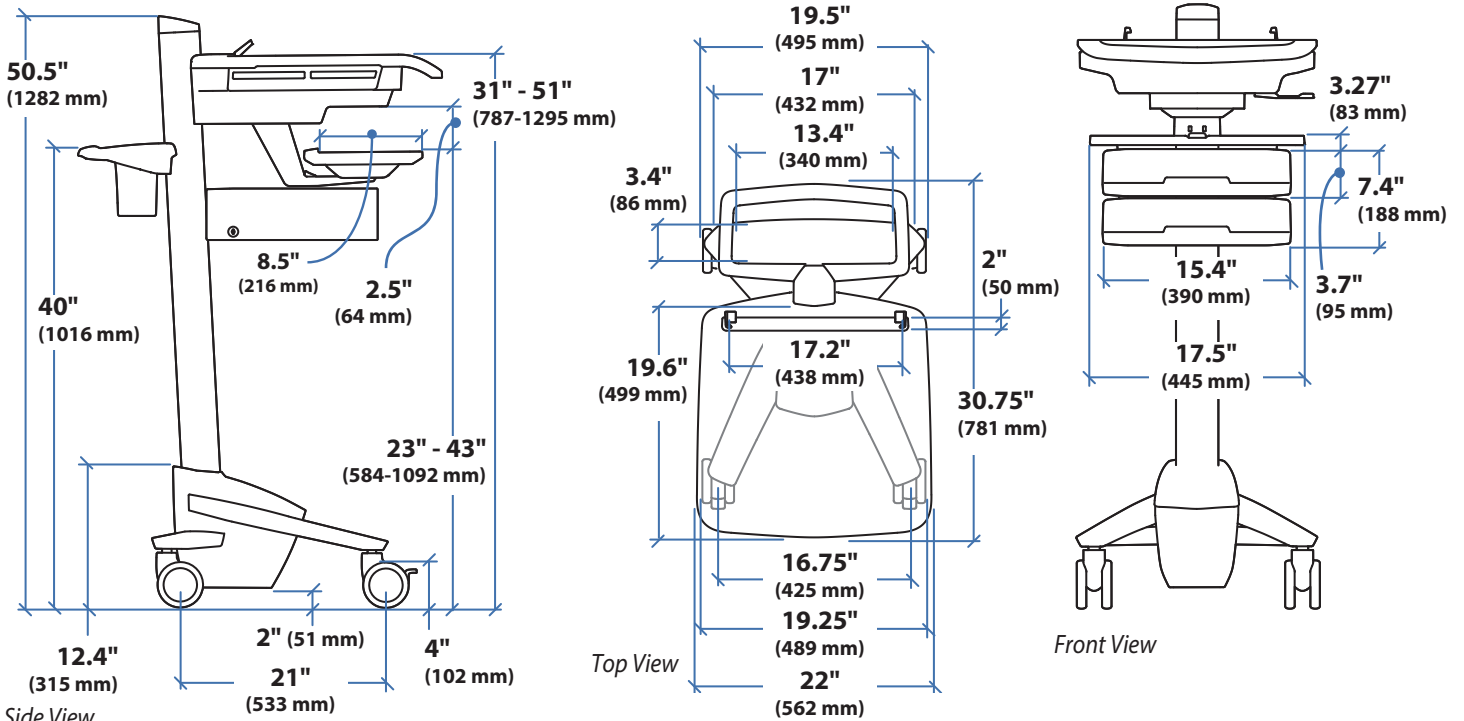


Ergotron® StyleView Cart

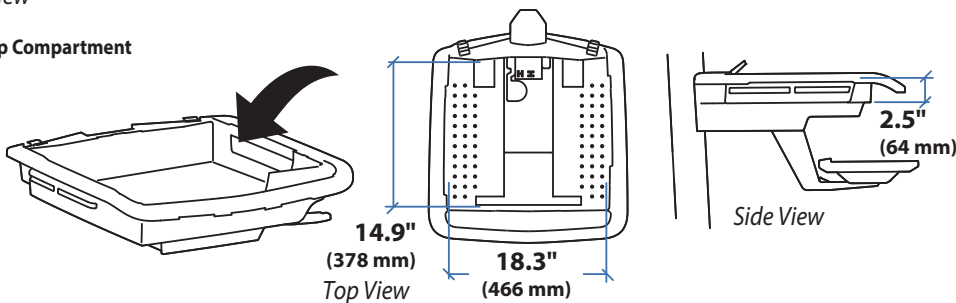
Dimensional Illustrations

StyleView® Laptop Cart, SV41/SV43

Dimensions

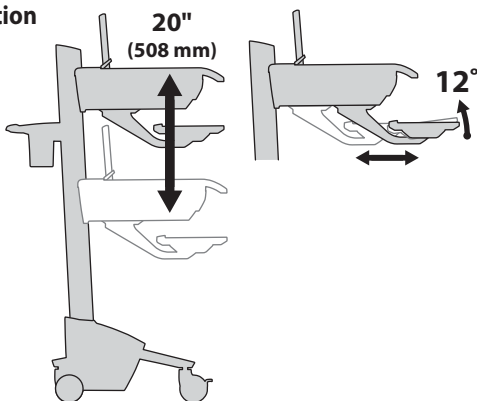


Laptop Compartment



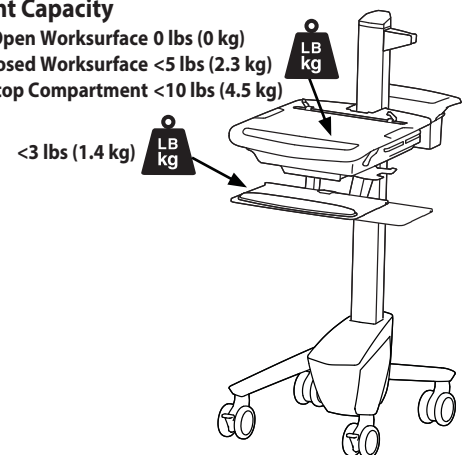
When figuring dimensions, include mounted accessories, protruding cables and port replicators or docking stations.

Range of Motion



Weight Capacity

- Open Worksurface 0 lbs (0 kg)
- Closed Worksurface <5 lbs (2.3 kg)
- Laptop Compartment <10 lbs (4.5 kg)



© 2014 Ergotron, Inc. rev. 03/16/2015 DIM-SV4X-Drawers Content is subject to change without notification

Americas Sales and Corporate Headquarters

St. Paul, MN USA
(800) 888-8458
+1-651-681-7600
www.ergotron.com
sales@ergotron.com

EMEA Sales

Amersfoort, The Netherlands
+31 33 45 45 600
www.ergotron.com
info.eu@ergotron.com

APAC Sales

Tokyo, Japan
www.ergotron.com
apaccustomerservice@ergotron.com

Worldwide OEM Sales

www.ergotron.com
info.oem@ergotron.com

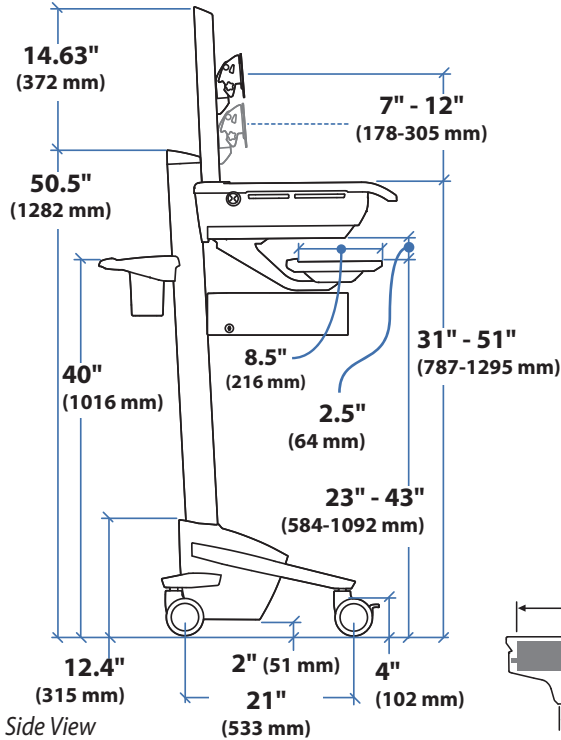


Ergotron® StyleView Cart

Dimensional Illustrations

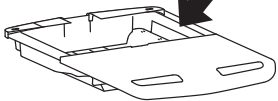
StyleView® Cart with LCD Pivot, SV41/SV43

Dimensions

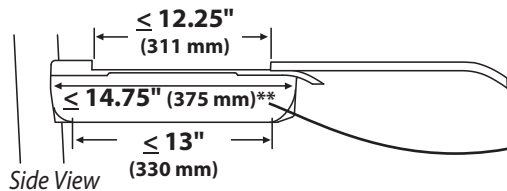


Side View

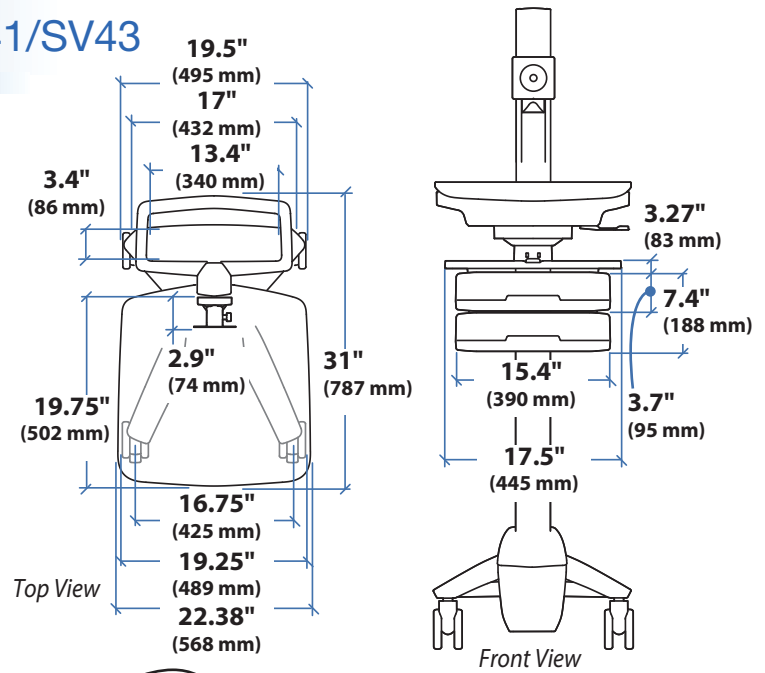
CPU Compartment



When figuring dimensions, include mounted accessories, protruding cables and port replicators or docking stations.

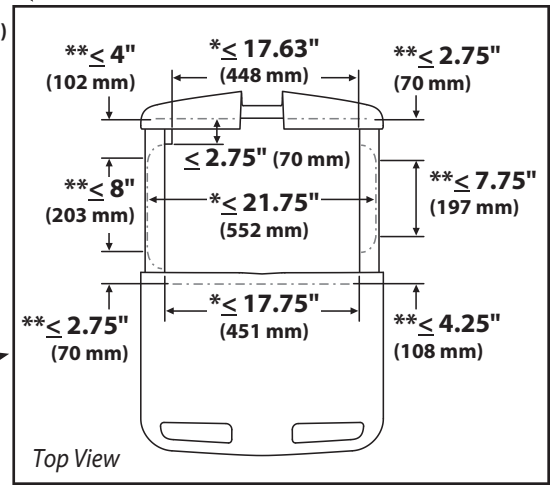


Side View



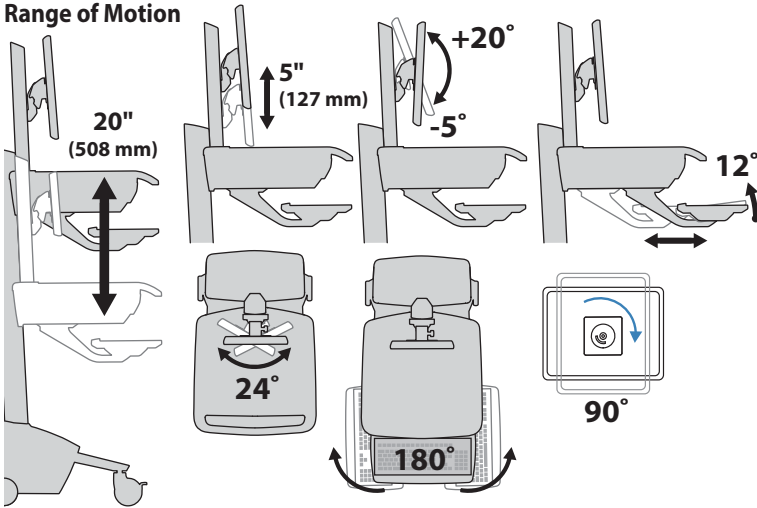
Top View

Front View



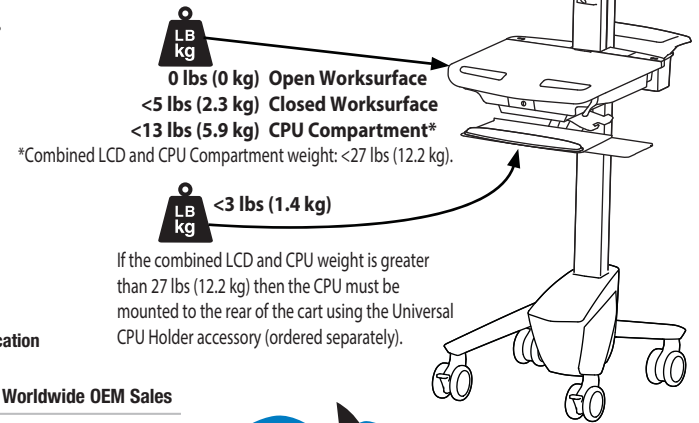
Top View

Range of Motion



Weight Capacity

| With Independent LCD Lift: | Without Independent LCD Lift: |
|----------------------------|-------------------------------|
| <14 lbs (6.4 kg) | 20 lbs (9 kg) |



*Combined LCD and CPU Compartment weight: <27 lbs (12.2 kg).

If the combined LCD and CPU weight is greater than 27 lbs (12.2 kg) then the CPU must be mounted to the rear of the cart using the Universal CPU Holder accessory (ordered separately).

© 2014 Ergotron, Inc. rev. 03/16/2015 DIM-SV4X-Drawers Content is subject to change without notification

Americas Sales and Corporate Headquarters

St. Paul, MN USA
(800) 888-8458
+1-651-681-7600
www.ergotron.com
sales@ergotron.com

EMEA Sales

Amersfoort, The Netherlands
+31 33 45 45 600
www.ergotron.com
info.eu@ergotron.com

APAC Sales

Tokyo, Japan
www.ergotron.com
apaccustomerservice@ergotron.com

Worldwide OEM Sales

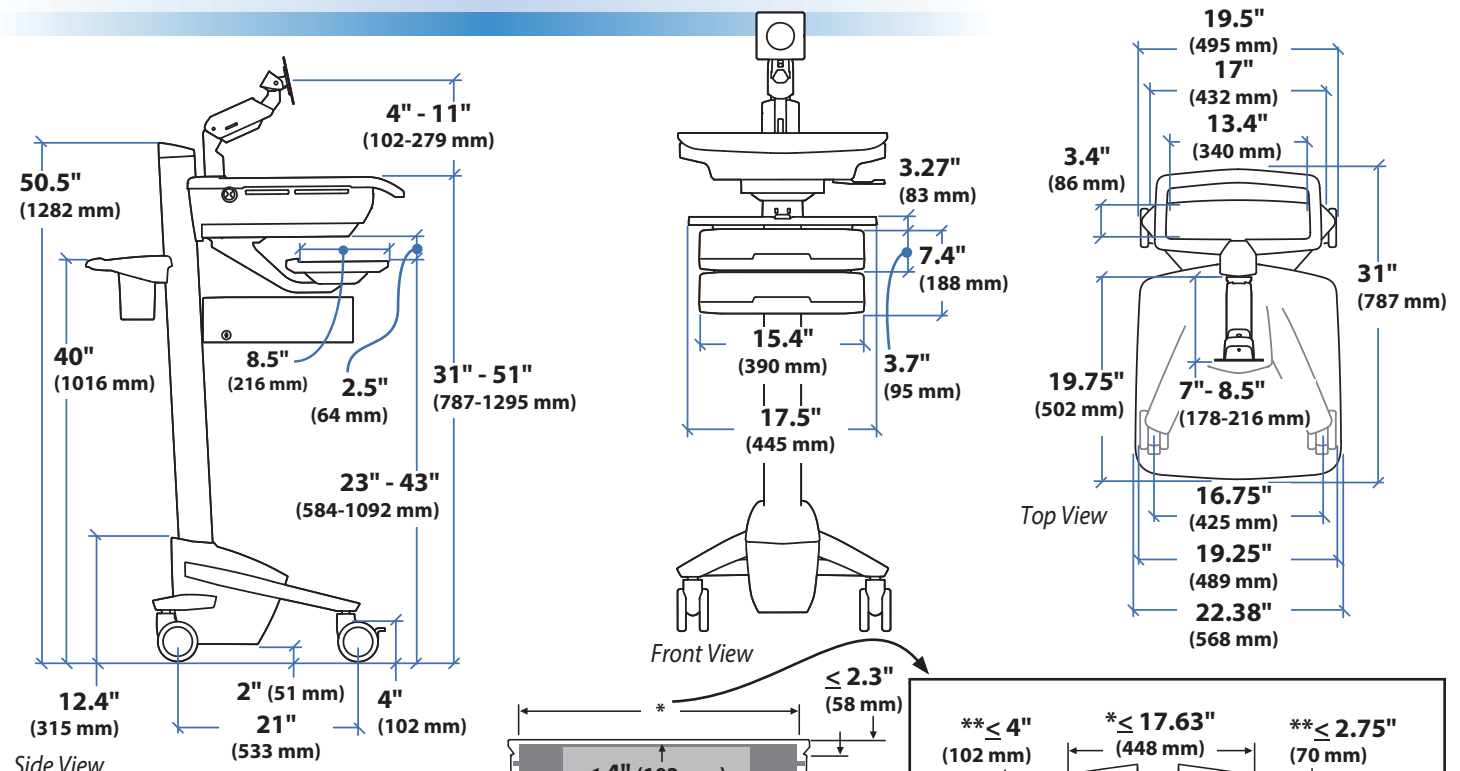
www.ergotron.com
info.oem@ergotron.com



Ergotron® StyleView Cart

Dimensional Illustrations

StyleView® Cart with LCD Arm SV41/SV43



Side View

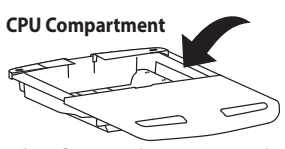
Top View

Front View

Front View

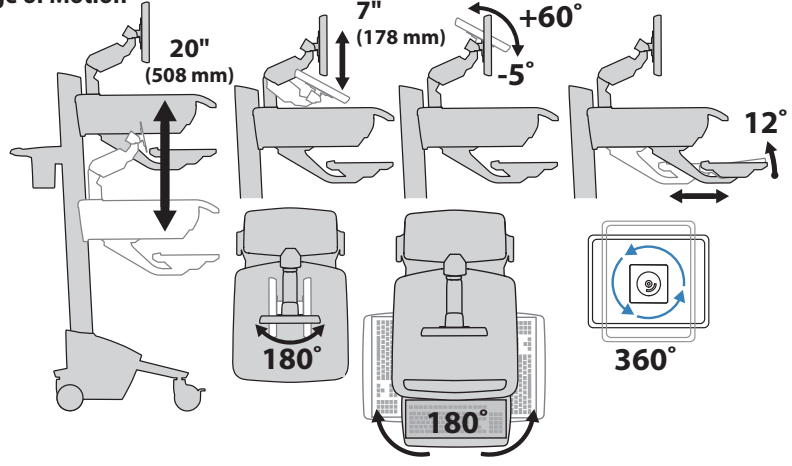
Side View

Top View

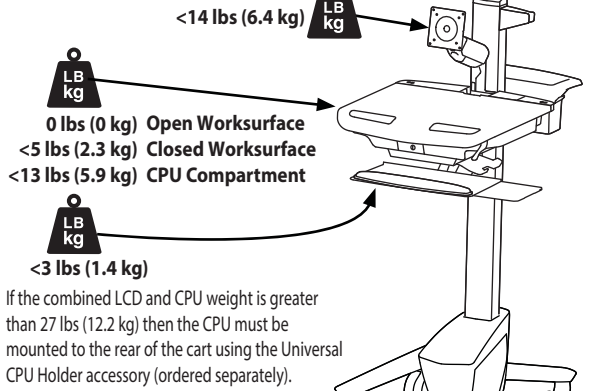


When figuring dimensions, include mounted accessories, protruding cables and port replicators or docking stations.

Range of Motion



Weight Capacity



© 2014 Ergotron, Inc. rev. 03/16/2015 DIM-SV4X-Drawers Content is subject to change without notification

Americas Sales and Corporate Headquarters

St. Paul, MN USA
(800) 888-8458
+1-651-681-7600
www.ergotron.com
sales@ergotron.com

EMEA Sales

Amersfoort, The Netherlands
+31 33 45 45 600
www.ergotron.com
info.eu@ergotron.com

APAC Sales

Tokyo, Japan
www.ergotron.com
apaccustomerservice@ergotron.com

Worldwide OEM Sales

www.ergotron.com
info.oem@ergotron.com

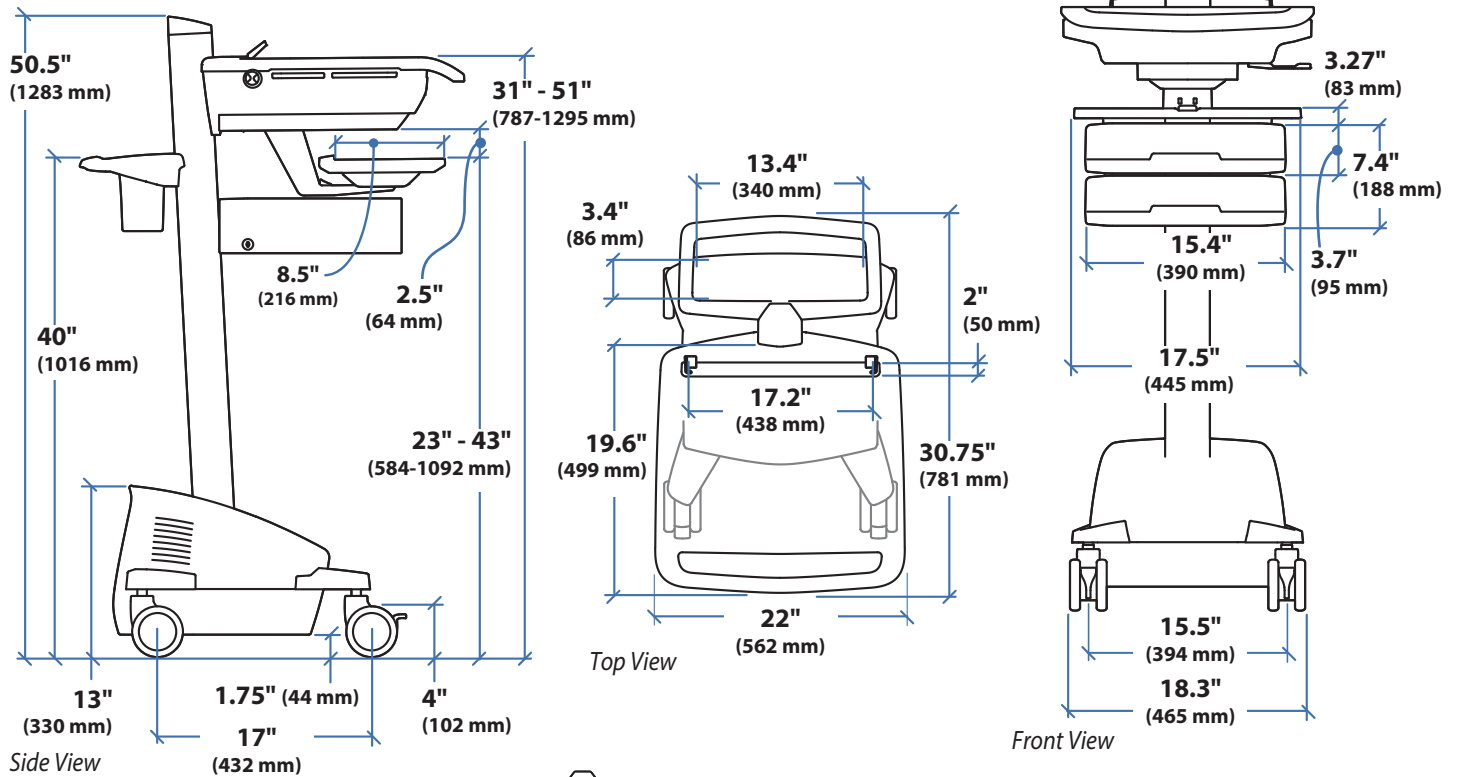


Ergotron® StyleView Cart

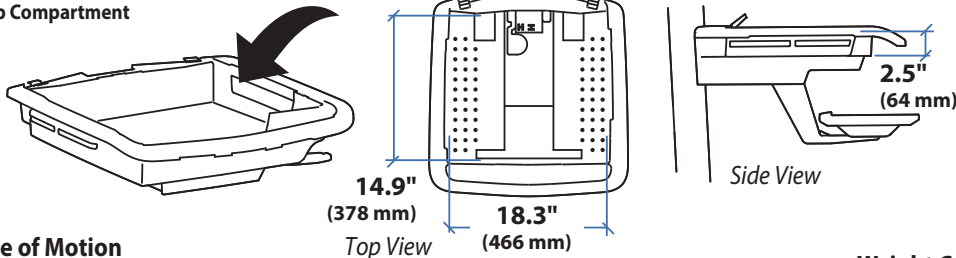
Dimensional Illustrations

StyleView® Laptop Cart, Powered SV42/SV44

Dimensions

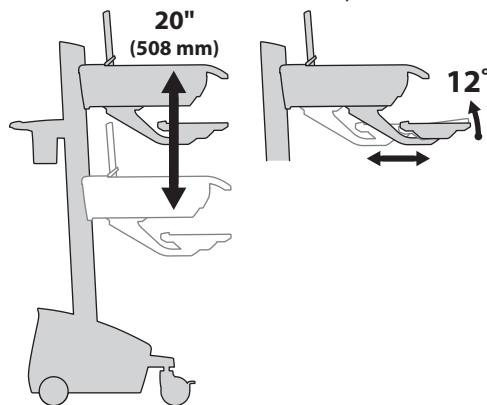


Laptop Compartment



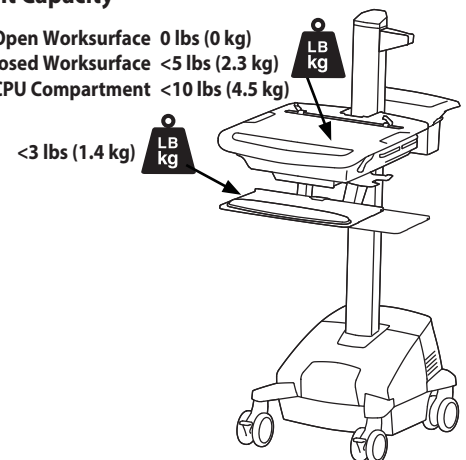
When figuring dimensions, include mounted accessories, protruding cables and port replicators or docking stations.

Range of Motion



Weight Capacity

- Open Worksurface 0 lbs (0 kg)
- Closed Worksurface <5 lbs (2.3 kg)
- CPU Compartment <10 lbs (4.5 kg)



© 2014 Ergotron, Inc. rev. 03/16/2015 DIM-SV4X-Drawers Content is subject to change without notification

Americas Sales and Corporate Headquarters

St. Paul, MN USA
(800) 888-8458
+1-651-681-7600
www.ergotron.com
sales@ergotron.com

EMEA Sales

Amersfoort, The Netherlands
+31 33 45 45 600
www.ergotron.com
info.eu@ergotron.com

APAC Sales

Tokyo, Japan
www.ergotron.com
apaccustomerservice@ergotron.com

Worldwide OEM Sales

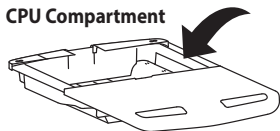
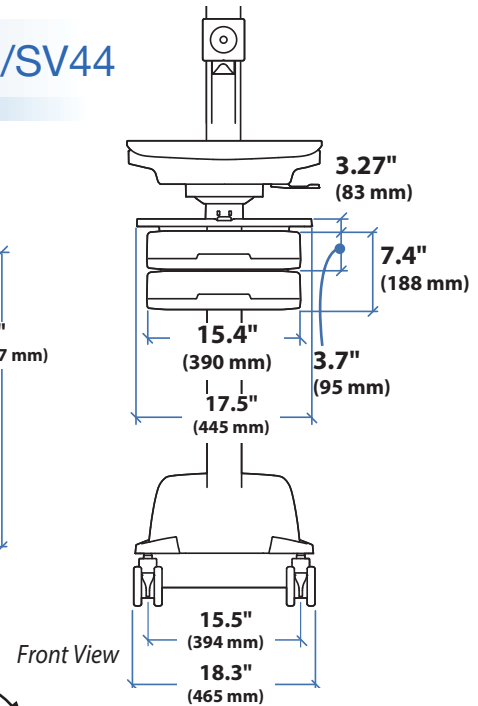
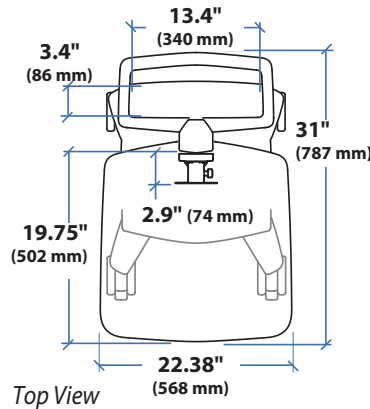
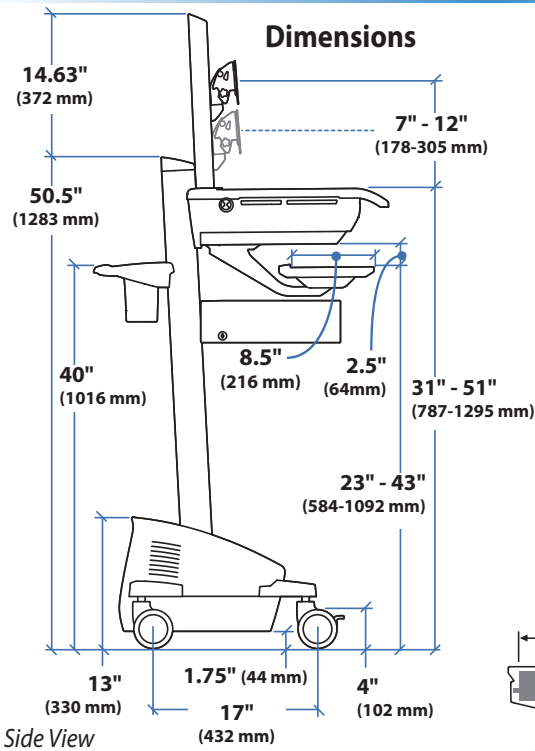
www.ergotron.com
info.oem@ergotron.com



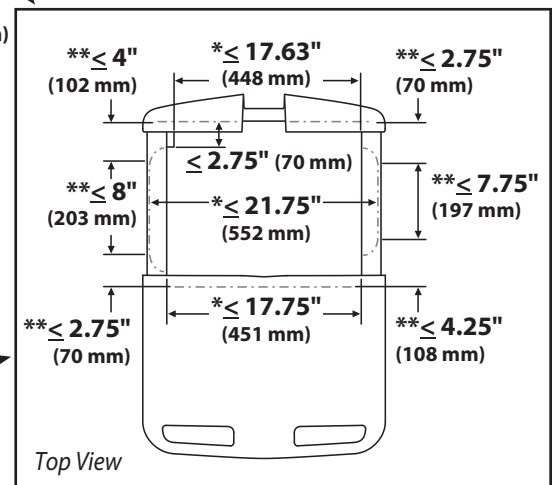
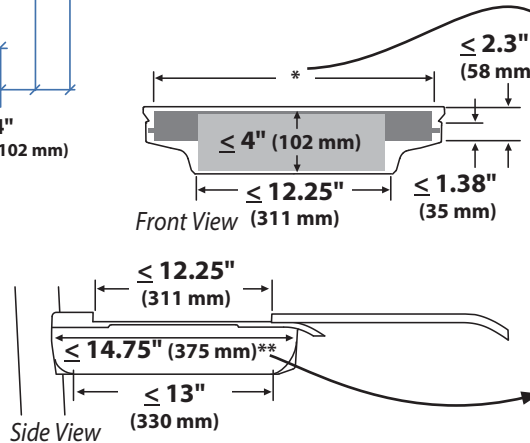
Ergotron® StyleView Cart

Dimensional Illustrations

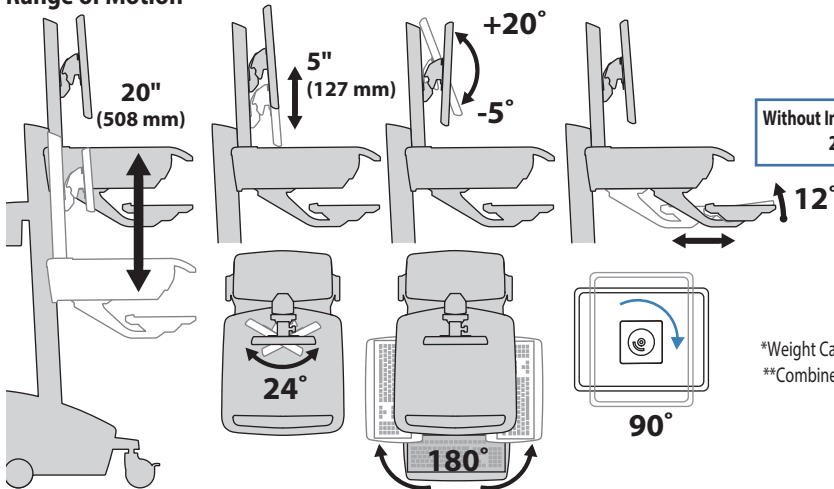
StyleView® Cart with LCD Pivot, Powered SV42/SV44



When figuring dimensions, include mounted accessories, protruding cables and port replicators or docking stations.



Range of Motion



Weight Capacity

Without Independent LCD Lift: 20 lbs (9 kg)
With Independent LCD Lift: 6-14 lbs (2.7-6.4 kg)
Carts with LiFe Power System: 5-11 lbs (2.3-5 kg)

*Weight Capacity for carts with LiFe Power System is <3 lbs (1.4 kg).
**Combined LCD and CPU Compartment weight: <27 lbs (12.2 kg).

0 lbs (0 kg) Open Worksurface
<5 lbs (2.3 kg) Closed Worksurface*
<3 lbs (1.4 kg) CPU Compartment**

If the combined LCD and CPU weight is greater than 27 lbs (12.2 kg) then the CPU must be mounted to the rear of the cart using the Universal CPU Holder accessory (ordered separately).

© 2014 Ergotron, Inc. rev. 03/16/2015 DIM-SV4X-Drawers Content is subject to change without notification

Americas Sales and Corporate Headquarters

St. Paul, MN USA
(800) 888-8458
+1-651-681-7600
www.ergotron.com
sales@ergotron.com

EMEA Sales

Amersfoort, The Netherlands
+31 33 45 45 600
www.ergotron.com
info.eu@ergotron.com

APAC Sales

Tokyo, Japan
www.ergotron.com
apaccustomerservice@ergotron.com

Worldwide OEM Sales

www.ergotron.com
info.oem@ergotron.com

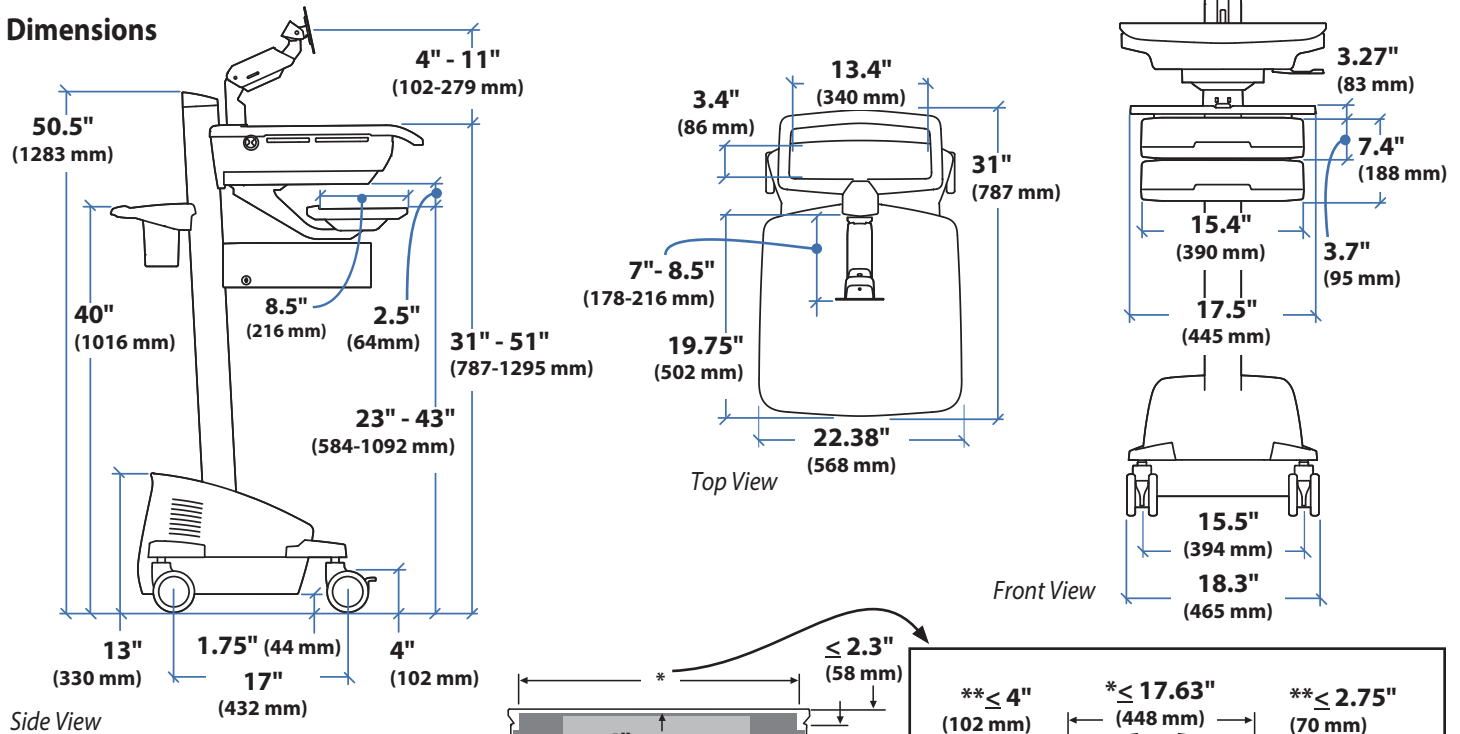


Ergotron® StyleView Cart

Dimensional Illustrations

StyleView® Cart with LCD Arm, Powered SV42/SV44

Dimensions

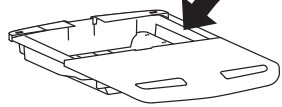


Side View

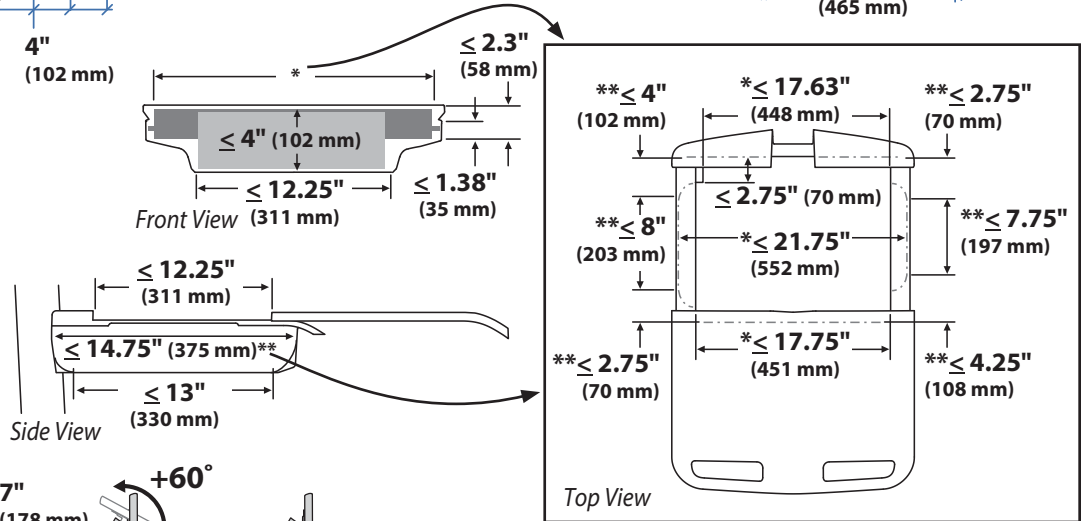
Top View

Front View

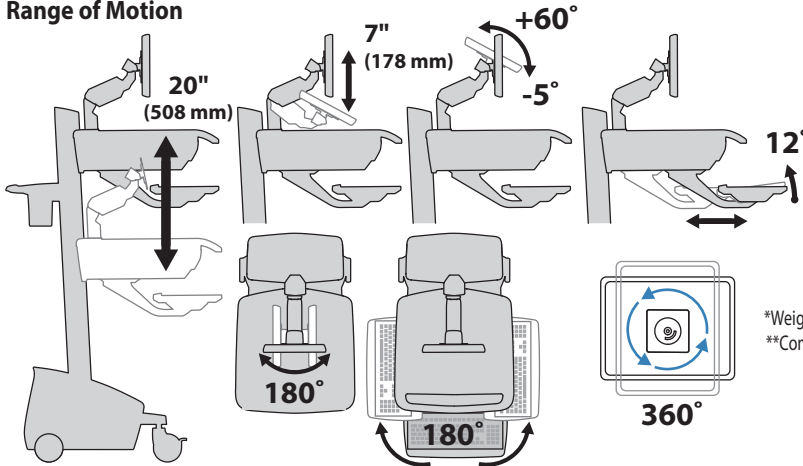
CPU Compartment



When figuring dimensions, include mounted accessories, protruding cables and port replicators or docking stations.



Range of Motion



Weight Capacity: <14 lbs (6.4 kg)

Carts with LiFe Power System: 5-11 lbs (2.3-5 kg)

0 lbs (0 kg) Open Worksurface
<5 lbs (2.3 kg) Closed Worksurface*
<13 lbs (5.9 kg) CPU Compartment**

*Weight Capacity for carts with LiFe Power System is <3 lbs (1.4kg).

**Combined LCD and CPU Compartment weight: <27 lbs (12.2 kg).

<3 lbs (1.4 kg)

If the combined LCD and CPU weight is greater than 27 lbs (12.2 kg) then the CPU must be mounted to the rear of the cart using the Universal CPU Holder accessory (ordered separately).

© 2014 Ergotron, Inc. rev. 03/16/2015 DIM-SV4X-Drawers Content is subject to change without notification

Americas Sales and Corporate Headquarters

St. Paul, MN USA
 (800) 888-8458
 +1-651-681-7600
 www.ergotron.com
 sales@ergotron.com

EMEA Sales

Amersfoort, The Netherlands
 +31 33 45 45 600
 www.ergotron.com
 info.eu@ergotron.com

APAC Sales

Tokyo, Japan
 www.ergotron.com
 apaccustomerservice@ergotron.com

Worldwide OEM Sales

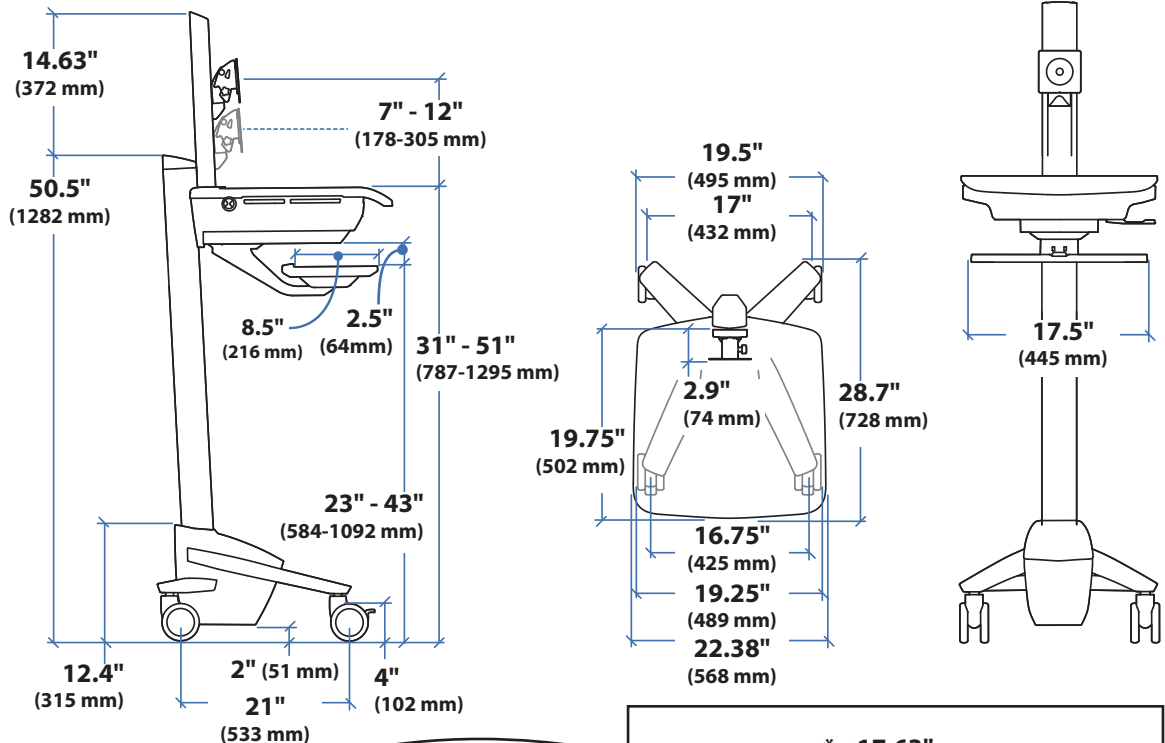
www.ergotron.com
 info.oem@ergotron.com



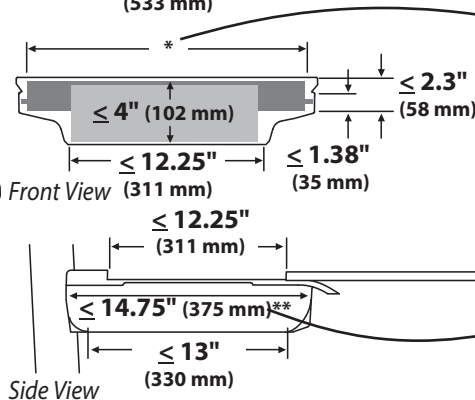
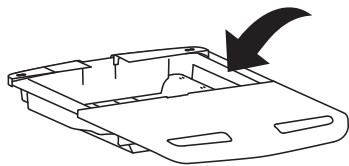
Ergotron® StyleView Cart

StyleView® Cart with LCD Pivot, SV40

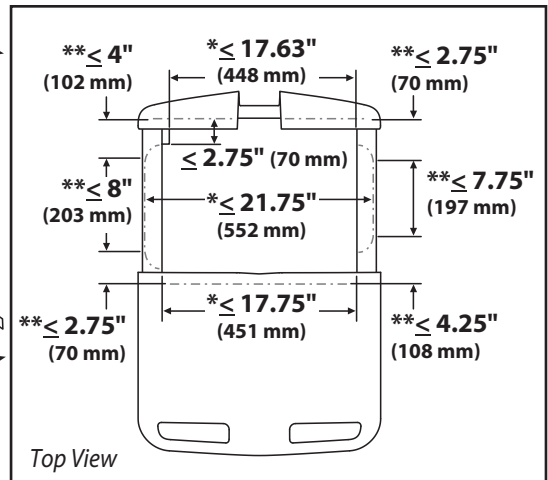
Dimensions



CPU Compartment

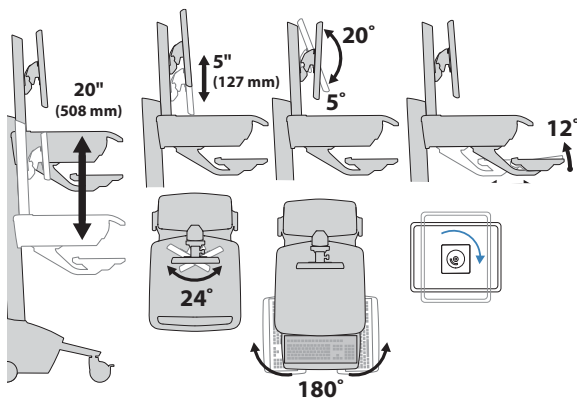


When figuring dimensions, include mounted accessories, protruding cables and port replicators or docking stations.



Weight Capacity

| | |
|----------------------------|-------------------------------|
| With Independent LCD Lift: | Without Independent LCD Lift: |
| <14 lbs (6.4 kg) | 20 lbs (9 kg) |



0 lbs (0 kg) Open Worksurface
 <5 lbs (2.3 kg) Closed Worksurface
 <13 lbs (5.9 kg) CPU Compartment

<3 lbs (1.4 kg)

Combined LCD and CPU Compartment weight: <27 lbs (12.2 kg).
 If the combined LCD and CPU weight is greater than 27 lbs (12.2 kg) then the CPU must be mounted to the rear of the cart using the Universal CPU Holder accessory (ordered separately).

© 2014 Ergotron, Inc. rev. 03/16/2015 DIM-SV4X-Drawers Content is subject to change without notification

Americas Sales and Corporate Headquarters

St. Paul, MN USA
 (800) 888-8458
 +1-651-681-7600
 www.ergotron.com
 sales@ergotron.com

EMEA Sales

Amersfoort, The Netherlands
 +31 33 45 45 600
 www.ergotron.com
 info.eu@ergotron.com

APAC Sales

Tokyo, Japan
 www.ergotron.com
 apaccustomerservice@ergotron.com

Worldwide OEM Sales

www.ergotron.com
 info.oem@ergotron.com



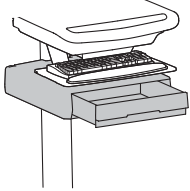
Ergotron® StyleView Cart

Dimensional Illustrations

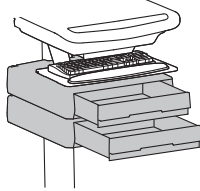
StyleView® Cart Auto-Lock Drawer

Dimensions

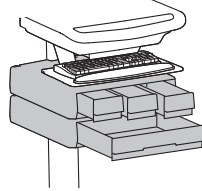
1 Drawer



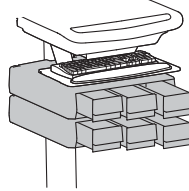
2 Drawers



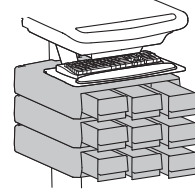
4 Drawers



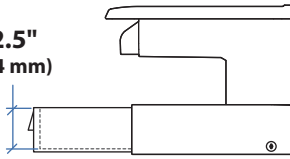
6 Drawers



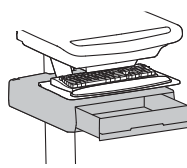
9 Drawers



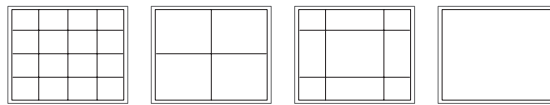
2.5"
(64 mm)



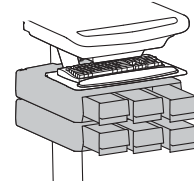
10.5"
(267 mm)



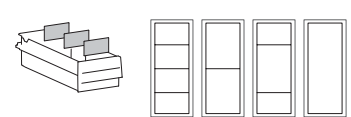
12.5"
(315 mm)



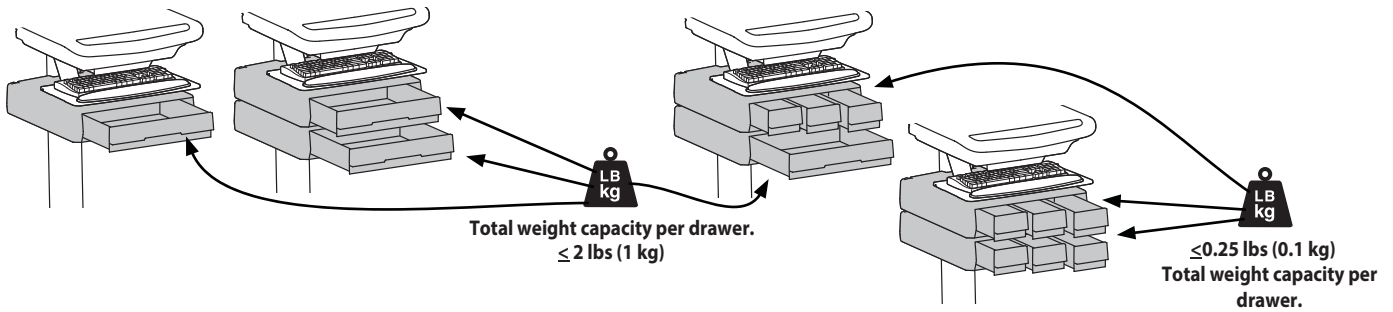
10.5"
(267 mm)



3.75"
(96 mm)



Weight Capacity



© 2014 Ergotron, Inc. rev. 03/16/2015 DIM-SV4X-Drawers Content is subject to change without notification

Americas Sales and Corporate Headquarters

St. Paul, MN USA
(800) 888-8458
+1-651-681-7600
www.ergotron.com
sales@ergotron.com

EMEA Sales

Amersfoort, The Netherlands
+31 33 45 45 600
www.ergotron.com
info.eu@ergotron.com

APAC Sales

Tokyo, Japan
www.ergotron.com
apaccustomerservice@ergotron.com

Worldwide OEM Sales

www.ergotron.com
info.oem@ergotron.com

