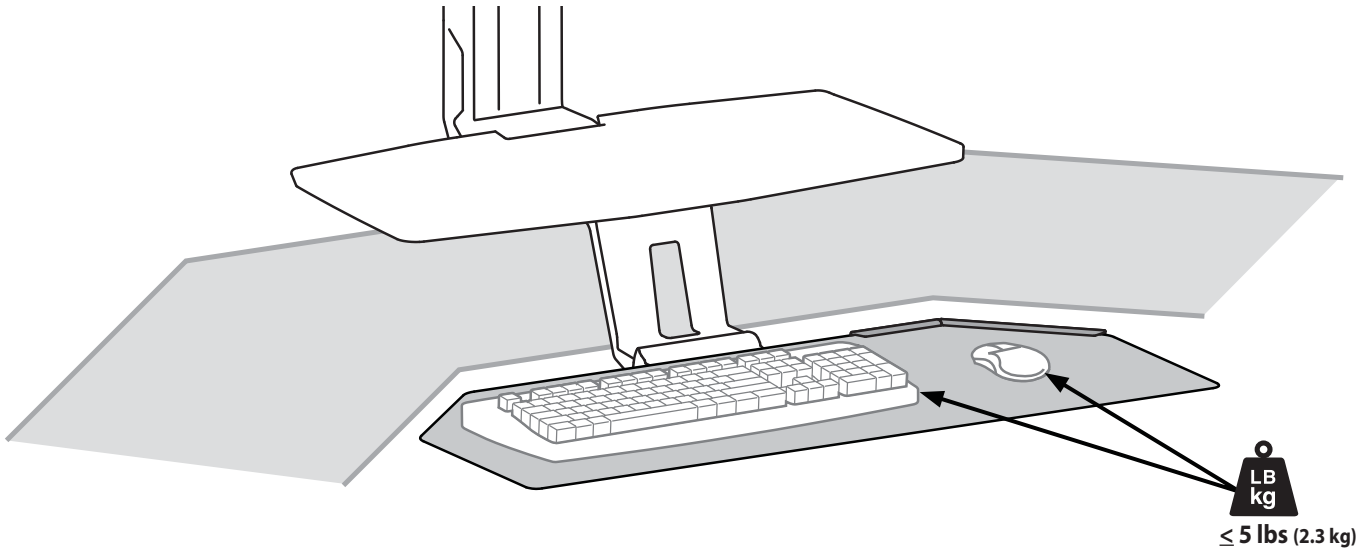
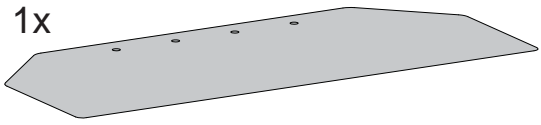
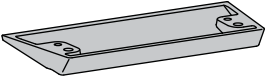
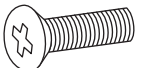
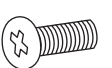







# Corner Keyboard Tray for WorkFit-A and WorkFit-S

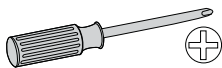


## Components



	A		B		C	D
1	1x 		1x 		2x  M5 x 14mm	2x  M4 x 12mm
2	2x 	1x 	1x 	1x 	1x  3mm	

## Tools Needed



For the latest User Installation Guide please visit: [www.ergotron.com](http://www.ergotron.com)



User's Guide - English  
 Guía del usuario - Español  
 Manuel de l'utilisateur - Français  
 Gebruikersgids - Deutsch  
 Benutzerhandbuch - Nederlands  
 Guida per l'utente - Italiano  
 Användarhandbok - svenska  
 ユーザーガイド : 日本語  
 用户指南 : 汉语



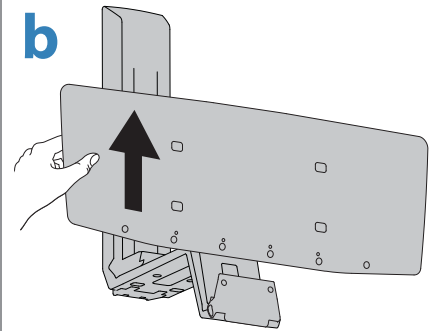
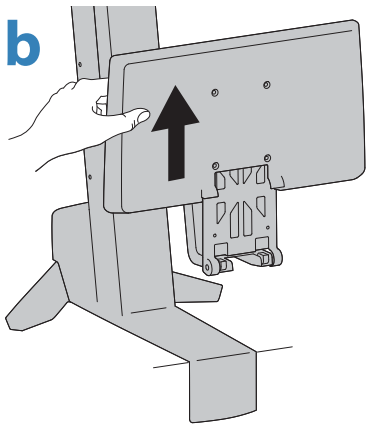
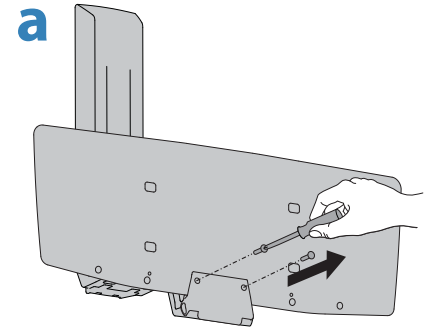
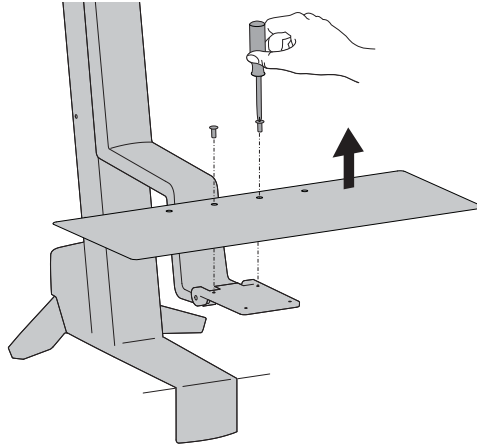
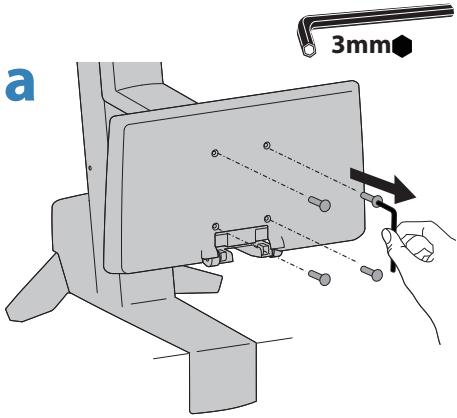
[www.ergotron.com](http://www.ergotron.com)  
 USA 1-800-888-8458  
 Europe +31 (0)33-45 45 600  
 China 86-769-86018920

# 1

## WorkFit-S

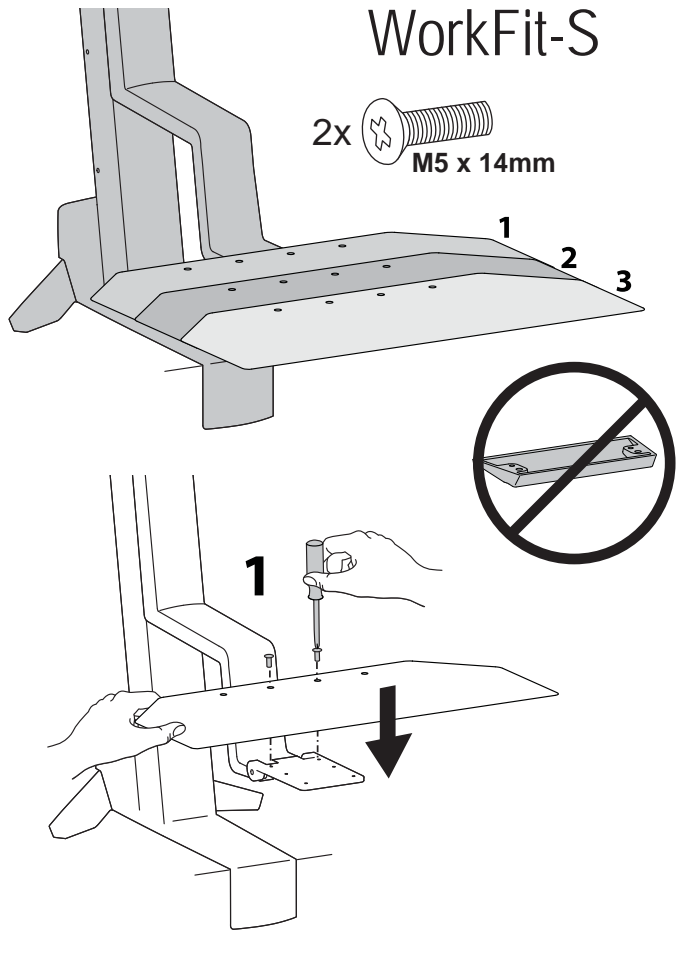
## WorkFit-S

## WorkFit-A

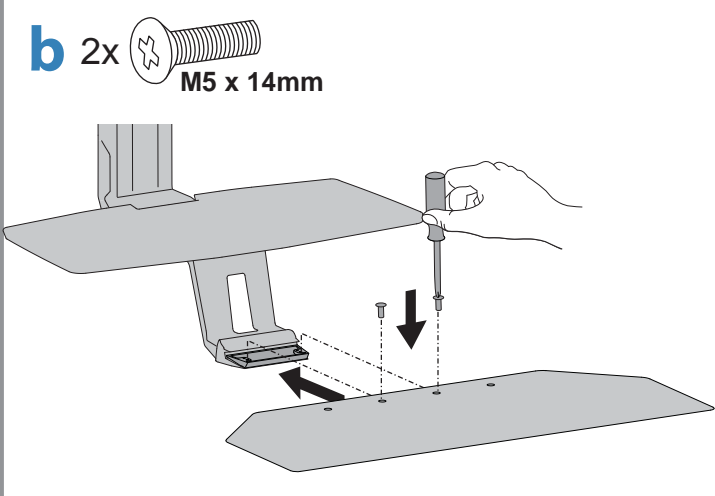
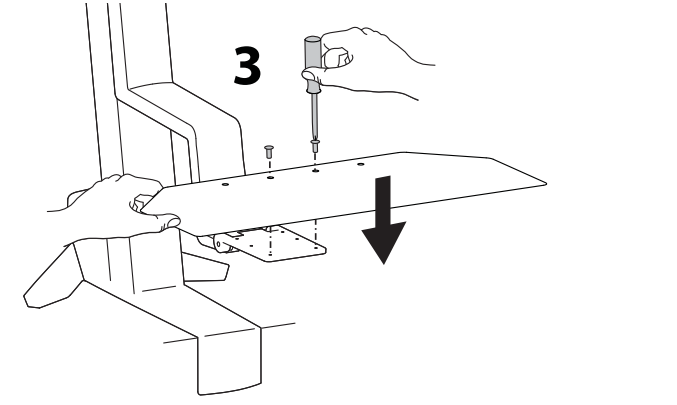
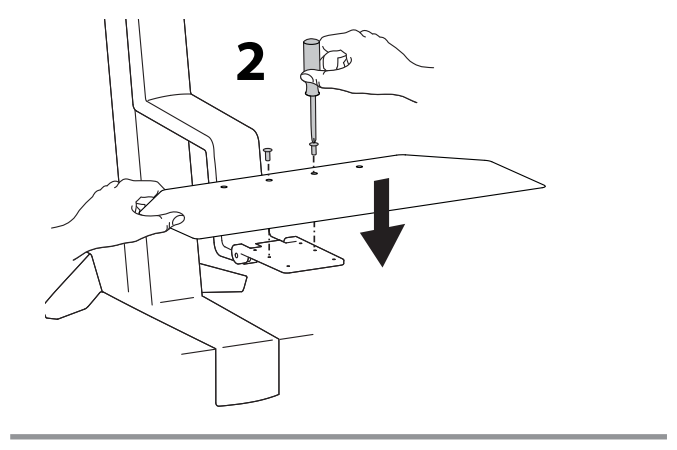
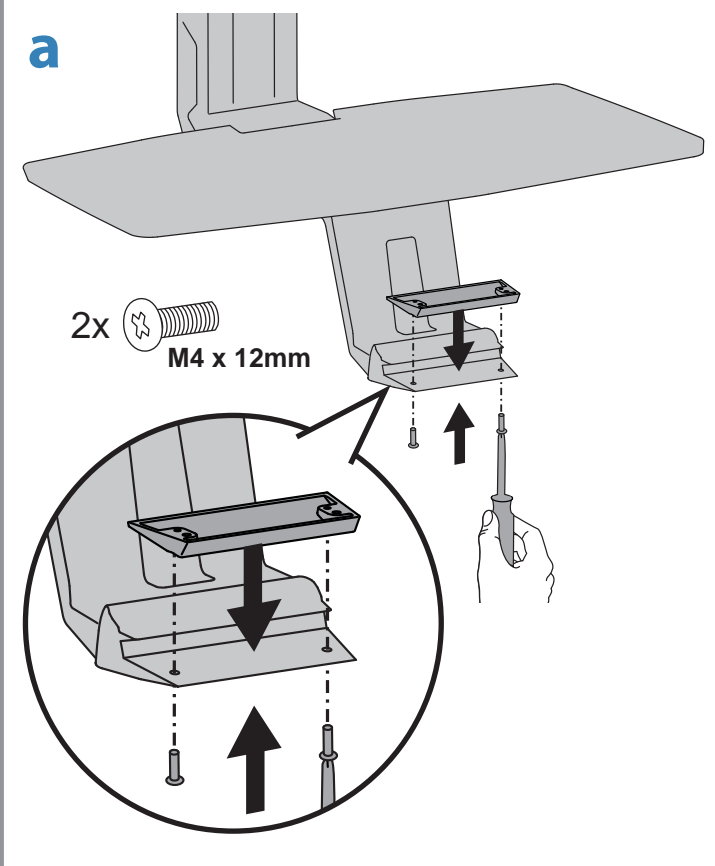


# 2

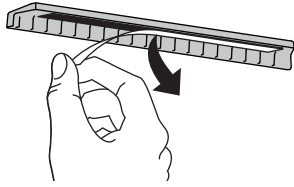
## WorkFit-S



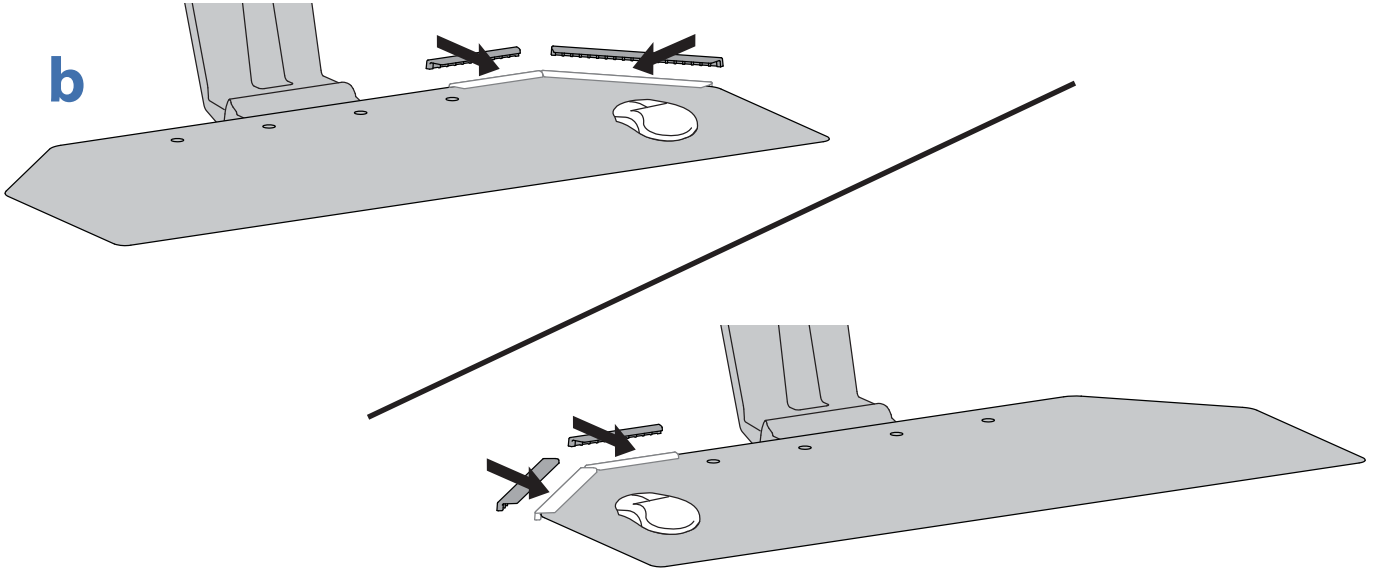
## WorkFit-A



3 a



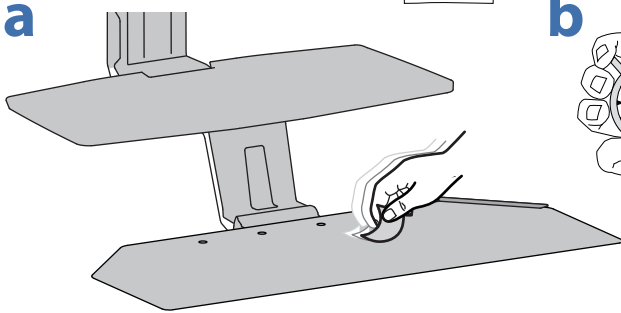
b



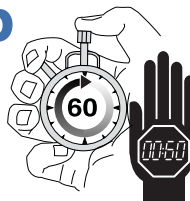
4



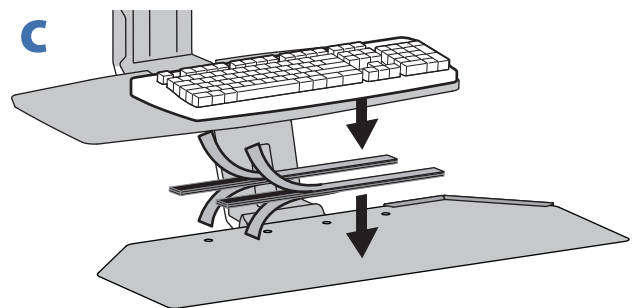
a



b



c



ENGLISH

For service and warranty visit [www.ergotron.com](http://www.ergotron.com)

For local customer care phone numbers visit: <http://contact.ergotron.com>

**Americas Sales and Corporate Headquarters**

1181 Trapp Rd.  
St. Paul, MN USA  
(800) 888-8458  
+1-651-681-7600  
[www.ergotron.com](http://www.ergotron.com)  
[sales@ergotron.com](mailto:sales@ergotron.com)

**EMEA Sales**

Amersfoort, The Netherlands  
+31 33 45 45 600  
[www.ergotron.com](http://www.ergotron.com)  
[info.eu@ergotron.com](mailto:info.eu@ergotron.com)

**APAC Sales**

Tokyo, Japan  
[www.ergotron.com](http://www.ergotron.com)  
[apaccustomerservice@ergotron.com](mailto:apaccustomerservice@ergotron.com)

**Worldwide OEM Sales**

[www.ergotron.com](http://www.ergotron.com)  
[info.oem@ergotron.com](mailto:info.oem@ergotron.com)



© 2014 Ergotron, Inc.  
All rights reserved.

While Ergotron, Inc. makes every effort to provide accurate and complete information on the installation and use of its products, it will not be held liable for any editorial errors or omissions (including those made in the process of translation from English to another language), or for incidental, special or consequential damages of any nature resulting from furnishing this instruction to its users. For the most current product information, or to know if this document is available in languages other than those herein, please contact Ergotron. No part of this publication may be reproduced, stored in a retrieval system, or transmitted in any form or by any means, electronic, mechanical, photocopying, recording or otherwise without the prior written consent of Ergotron, Inc., 1181 Trapp Road, Eagan, Minnesota, 55121, USA. Patents Pending and Patented U.S. & Foreign. Ergotron is a registered trademark of Ergotron, Inc.