

ASSEMBLY INSTRUCTIONS

Steve's Station Essential



Product	Part#
Steve's Station Essential, 60w	RAD260GV-xx
Steve's Station Essential, 72w	RAD272GV-xx

NOTE: The Monitor Extensions, CPU Holders, displays, and hardware are not included.



Anthro Corporation® | 10450 SW Manhasset Dr. | Tualatin, OR 97062
Toll-free: 800.325.3841 | Fax: 800.325.0045 | email: sales@anthro.com | anthro.com
Outside the U.S. | Tel: 503.691.2556 | Fax: 503.691.2409

300-5610-00 rev. D • 09/18

WELCOME!

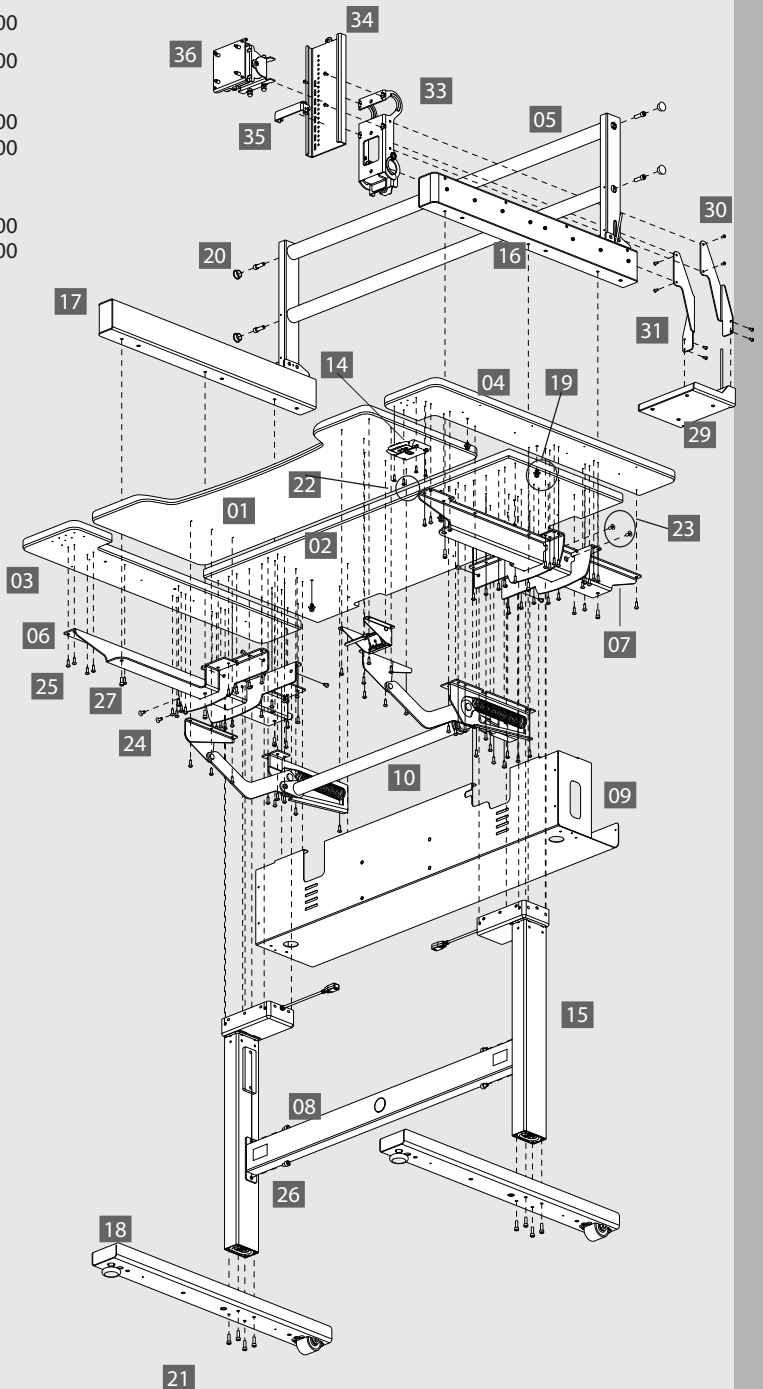
Thank you for purchasing Steve's Station Essential from Anthro!

If you have any questions or if we can help you with this assembly, please call us at 800.325.3841. We're here Monday-Friday, 7am-5pm Pacific Time.

PARTS LIST

Before beginning assembly of your Steve's Station Essential table, please review the parts list to verify that your shipment is complete.

Product	Quantity	Part Number
01 Keyboard Surface	1	101-1147-03-00
02 Monitor Surface	1	101-1148-03-00
03 Side Surface X 60w table 72w table	1	101-1149-03-00 101-1159-03-00
04 Side Surface Y 60w table 72w table	1	101-1150-03-00 101-1160-03-00
05 Monitor Boom Tube	2	125-5404-03
06 Side Shelf Support X	1	500-1100-56
07 Side Shelf Support Y	1	500-1101-56
08 Cross Tube	1	500-1102-61
09 Cable Trough	1	500-1103-56
10 Adjusta Mechanism 36"	1	225-5546-00
11 Control Box (not shown)	1	400-0953-00
12 Power Cord (not shown)	1	400-5181-00
13 Leg Control Cables (not shown)	2	400-5182-00
14 Keypad	1	400-5357-00
15 Leg	2	575-5087-00
16 Monitor Easy Track Mast Y	1	835-5635-00
17 Monitor Easy Track Mast X	1	835-5636-00
18 Foot	2	835-5637-00
19 Wire Management Clip	5	175-5188-00
20 5/16-18x x 1 Socket Cap Screw	4	325-5136-00
21 M6x20mm Socket Hd Cap Screw	8	325-5272-00
22 #8 x 3/4" Phillips Flat Hd Screw	4	325-5370-00
23 M6x14 Flat Head Cap Screw	4	325-5435-00
24 M6x10mm Button Hd Cap Screw	8	325-5503-00
25 #10-9x3/4" Button Head PB Screw	90	325-5575-00
26 M8-1.25x10 Socket Hd Cap Screw	4	325-5542-00
27 1/4-20x5/8" Button Hd Cap Screw	6	325-5019-00
28 Keypad Slider (not shown)	1	400-5358-00
29 Brake Release Assembly	1	835-5638-03
30 Mount Release Arm X	1	225-4808-00
31 Mount Release Arm Y	1	225-4809-03
32 #8-32 UNF x 3/8 Hex Button Hd Cap Screw w/Nylon Patch	8	325-5423-00
33 Monitor Bracket Assembly	1	RADKN-01
34 Monitor Track, 12"	1	225-4442-00
35 Block	1	225-4443-00
36 Knuckle Assembly, Standard	1	RADKNA-02



TOOLS

The following tools are provided for this assembly. If you choose to use a power drill, set the torque setting to mid-range.

5/32" hex Anthro driver

1/4" hex key

3/16" hex looped T-handle

3/32" hex key

5mm hex key

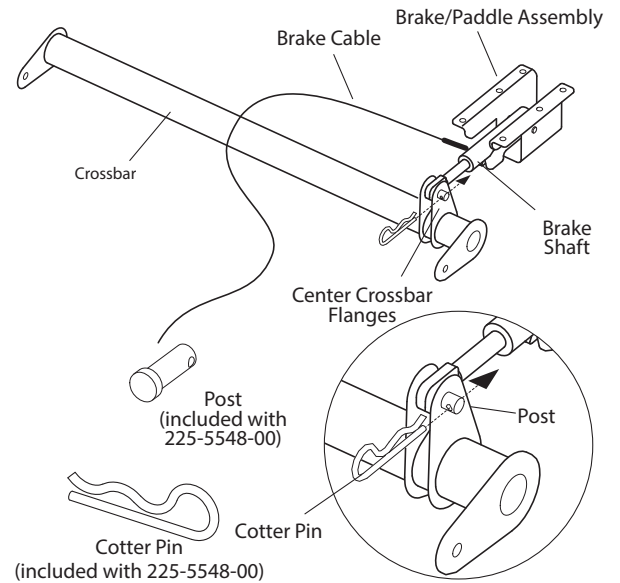
5/32" hex driver bit

6mm hex key

STEP 1A

ASSEMBLE THE ADJUSTA MECHANISM

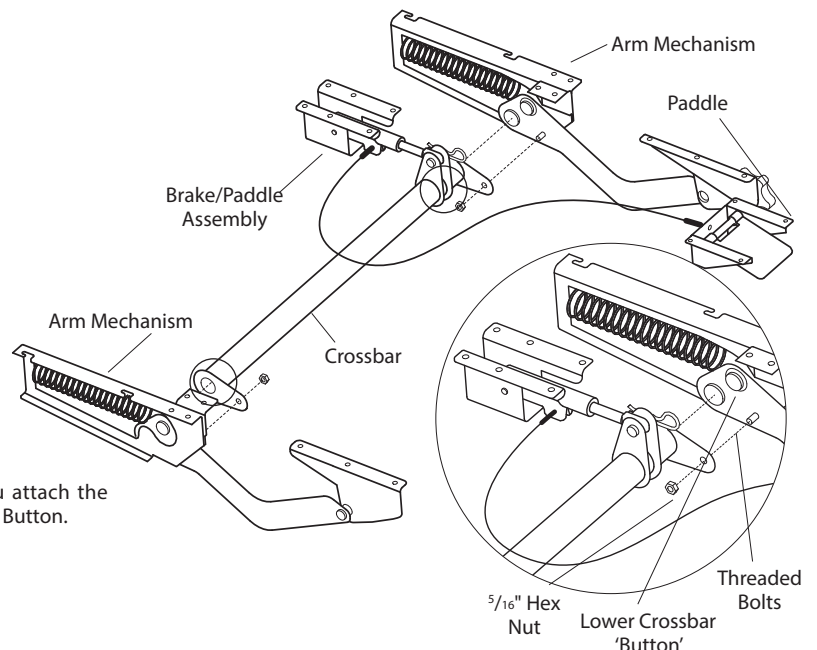
- Your Adjusta mechanism comes unassembled and is boxed separately inside the package. Locate the small bag of hardware included with the Adjusta Mechanism. It includes (1) Post, (1) Cotter Pin, (2) Hex Nuts, (2) Wood Screws, and (2) Cable Mounts.
- Begin to assemble the mechanism by first locating the Crossbar and Brake/Paddle assembly and position them as shown at right. Depress the Paddle once to free the Brake Shaft.
- Place the Brake Shaft between the two center Crossbar flanges. Insert the Post through both center Crossbar flanges and the Brake Shaft.
- Install the Cotter Pin through the single opening of the post to secure it in place.



STEP 1B

ASSEMBLE ADJUSTA ARMS

- Unpack the remaining Adjusta mechanism components and arrange them as shown at right.
- Place one Crossbar End onto the lower Crossbar Button and Threaded Bolt located on each Arm Mechanism. Secure the Crossbar to the Arm Mechanism using one 5/16" Hex Nut onto the Threaded Bolt.
- Repeat for remaining Crossbar End and Arm Mechanism.

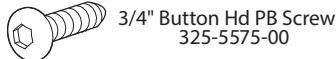
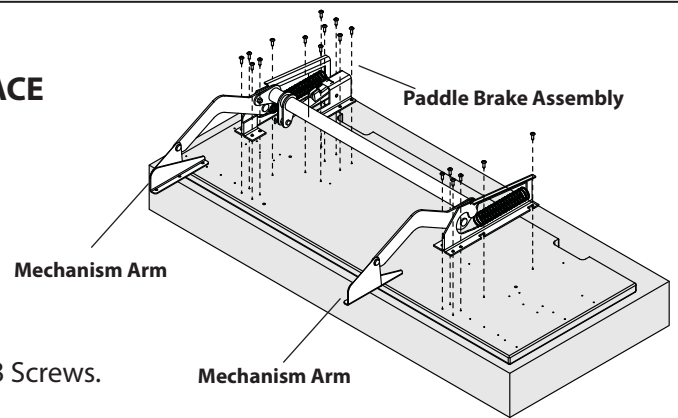


NOTE: it is very important that you attach the Crossbar ONLY to the Lower Crossbar Button.

STEP 2

ATTACH ADJUSTA MECHANISM TO MONITOR SURFACE

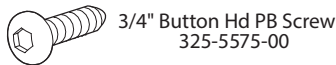
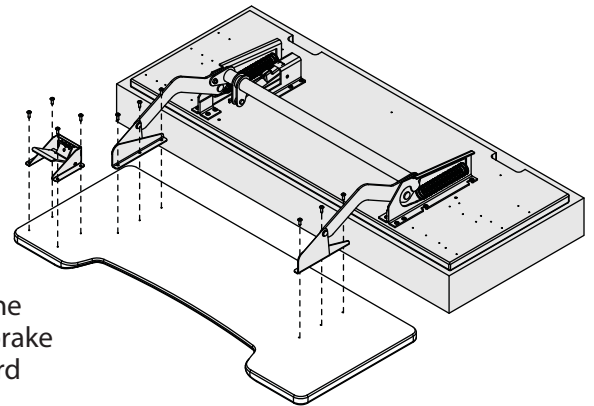
- Loosely attach each Mechanism Arm to the Monitor Surface using a total of twelve 3/4" Button-hd PB Screws (325-5575-00).
- Align the Paddle Brake Assembly with the six holes on the Monitor Surface. It may be necessary to depress the paddle in order to position the brake.
- Secure the brake assembly with six more 3/4" Button-hd PB Screws.



STEP 3

ATTACH ADJUSTA MECHANISM TO KEYBOARD SURFACE

- Slide the Keyboard Surface under the mechanism arms. Align the three holes on each end of the Keyboard surface with the three holes on each mechanism arm. Secure the arms to the Keyboard Surface with six 3/4" Button-hd PB Screws.
- Position the Paddle on the Keyboard Surface so the four holes on the Paddle align with the four holes on the Keyboard Surface and the brake cable runs under the Adjusta Bar. Secure the Paddle to the Keyboard Surface with four 3/4" Button-hd PB Screws.
- Install one cable clip into the pre-drilled hole next to the Brake Assembly and route the brake paddle cord through it.



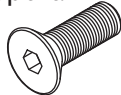
STEP 4

ATTACH LEGS TO SIDE SHELF SUPPORTS

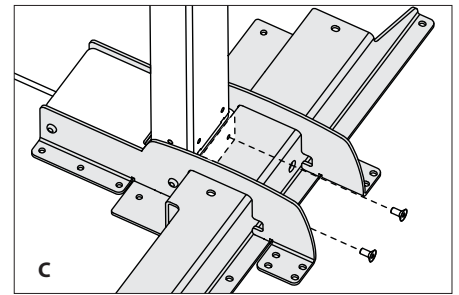
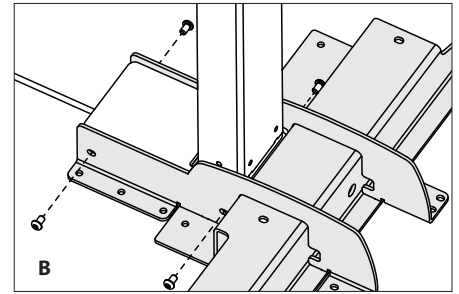
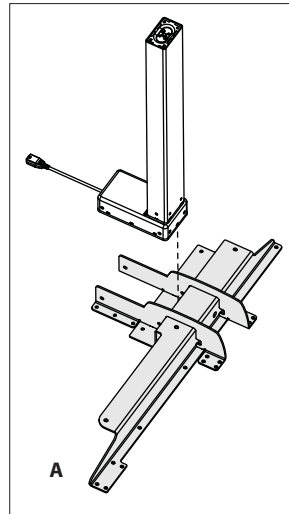
- Align one leg with the Side Shelf Support so the leg's motor housing nests inside the cavity in the Support and the side of the leg rests against the Support's inside face. [A]
- Loosely attach the leg to the Side Shelf Support with two M6-10 Button-hd Screw (325-5503-00) each on the front and back of the leg. [B]
- Attach the outside face of the leg to the tall face of the weldment with two M6x14 Flat Head Screws (325-5435-00) using the Anthro driver. Tighten these two fasteners all the way, then tighten the four button-head screws. [C]
- Repeat for the second leg and support.



M6-10 Button-head Screw
325-5503-00



M6x14 Flat Hd Screw
325-5435-00



Side Shelf Support for 60w table shown.

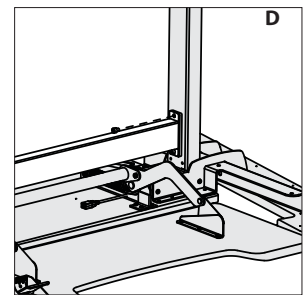
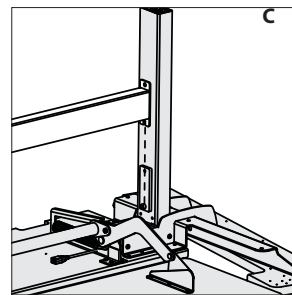
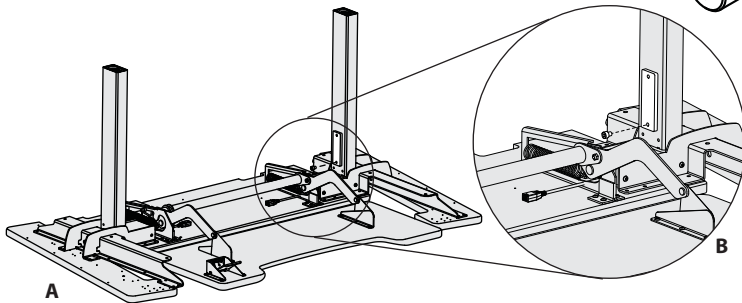
STEP 5

INSTALL CROSS TUBE ONTO LEG ASSEMBLIES

- Place the two side shelves upside down next to the shelf assembly. Place each leg assembly on the shelves so the holes in each support line up with the holes on the shelves, so the leg cord faces the inside of the table, and the long arms of the support point to the front of the table. Don't attach them yet – just set them into place. [A]
- Locate the two threaded holes on each leg near the motor housing. Hand tighten one fastener (M8-1.25x10 Socket-hd Cap Screw), 325-5542-00, into each hole closest to the motor housing on each leg. Leave a gap of about 1/4" between the screw head and the motor housing. [B]
- Align the Cross Tube with each leg assembly so that the Anthro logo faces the front of the table and the slots at the end of the Cross Tube line up with the fasteners. Slip the Cross Tube onto the fasteners then loosely attach using two more fasteners through the holes above the slots. [C]
- Tighten all four Cross Tube fasteners.



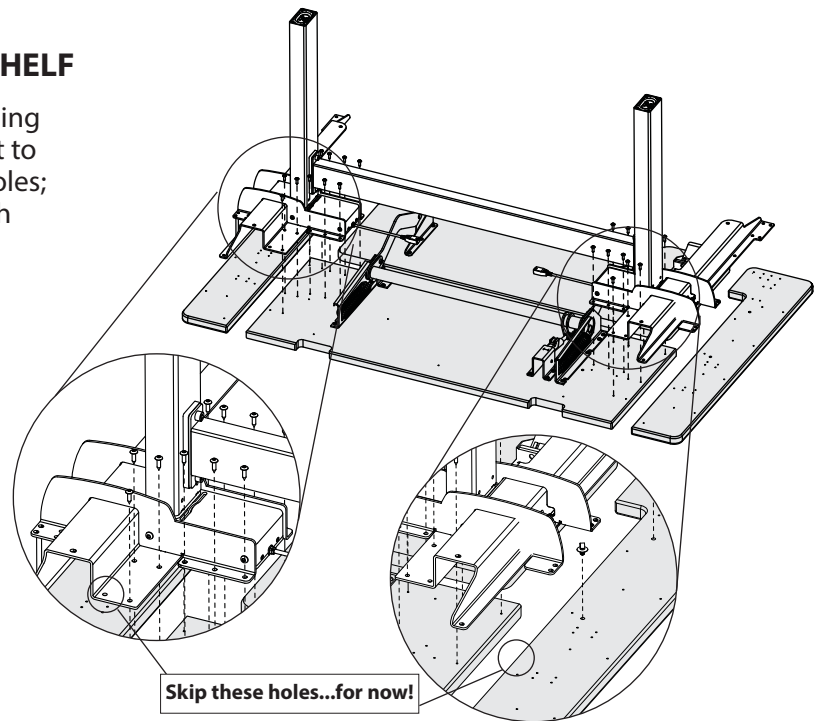
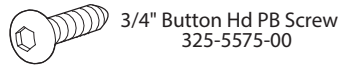
M8-1.25x10 Sockt-hd Cap Screw
325-5542-00



STEP 6

INSTALL LEG ASSEMBLY ONTO MONITOR SHELF

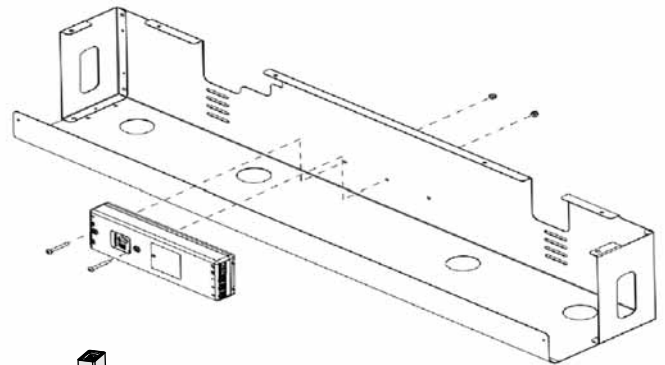
- Attach the Leg Assembly to the Monitor Shelf using eleven 3/4" PB Screws (325-5575-00). You'll want to use twelve, but don't do it. Skip the indicated holes; you'll fill them when you attach the Cable Trough later.



STEP 7

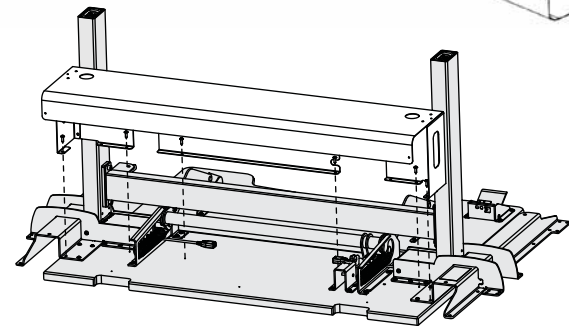
ASSEMBLE AND INSTALL CABLE TROUGH

- Secure control box to Cable Trough using the nuts (325-5186-00) and machine screws (325-5086-00) provide as shown to the right.

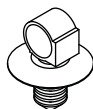
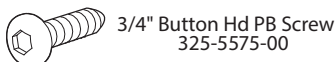


- Align the Cable Trough with the Monitor Surface so the open side of the trough faces the back of the table and the holes on the top of the trough line up with six holes on the monitor surface.

- Attach the trough to the Monitor Surface with six 3/4" Button-hd PB Screws (325-5575-00) through the center holes on the trough. Install one more screw at each end of the cable trough using the holes you skipped in Step 6.



- Attach the Leg Control Cables to each leg and plug them into ports on the Control Box inside the Cable Trough. Plug the Power Cord into the Control Box. Install one cable clip next to each leg and route a Leg Control Cable through each. Use the zip ties to anchor each Leg Control Cable to the slots on the trough, clear of the springs in the mechanism.

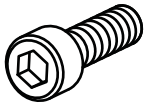
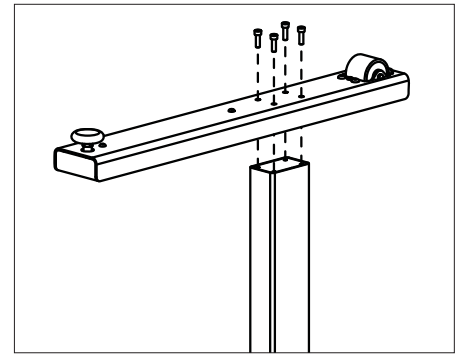


Cable Snap-in Clip
175-5188-00

STEP 8

INSTALL THE FEET

- Align one Foot with a leg so the wheel and threaded glide face up and the wheel is over the back of the table.
- Install the Foot to the Leg with four M6-20 Cap Screws (325-5272-00).
- Repeat for the second Foot.
- With the help of at least one other person, rotate the table onto its feet.

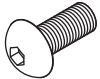
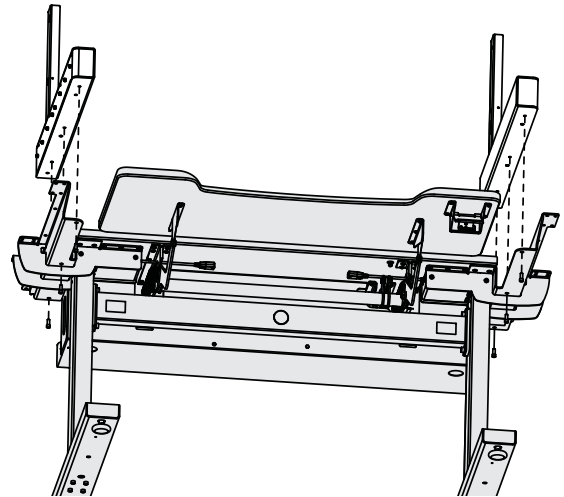


M6-20 Cap Screw
325-5272-00

STEP 9

INSTALL BOOM MASTS

- Locate the two Boom Mast Assemblies. One has a cable coming off of it (that's Boom Mast Y) and the other doesn't (that's Boom Mast X).
- Align Boom Mast X (no cable) with the left side of the table so the bottom of the mast slides into the Side Shelf Bracket at the edge of the table. Very loosely (just one turn) attach the mast to the bracket with three 5/8" screws (325-5019-00)
- Repeat to very loosely install Boom Mast Y onto the right-hand side of the table.

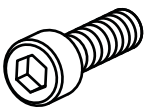
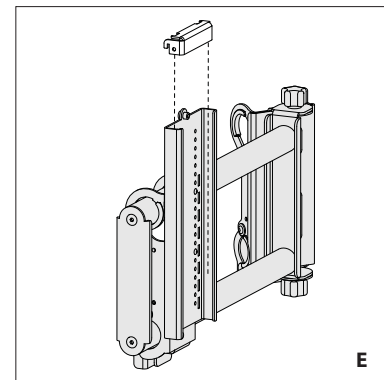
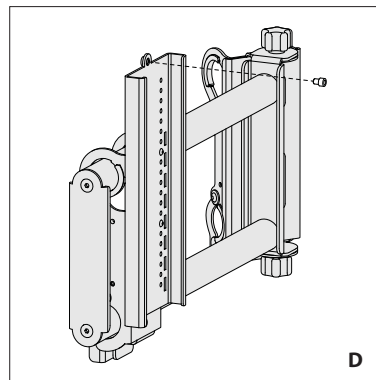
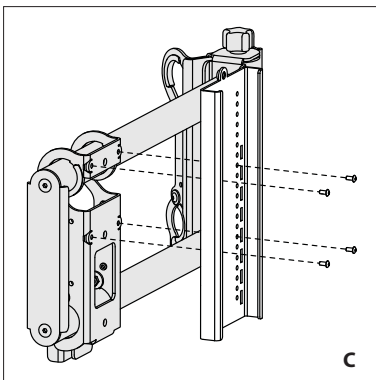
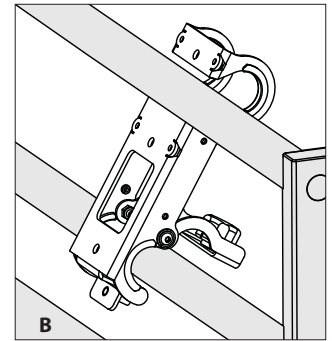
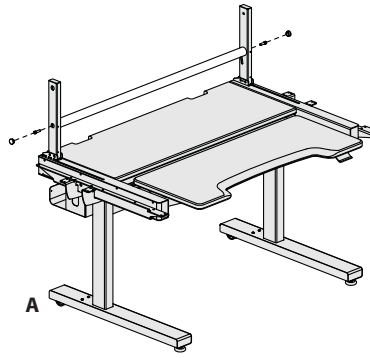


1/4-20 x 5/8" BH Cap Screw
325-5019-00

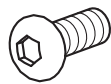
STEP 10

INSTALL BOOM CROSS TUBES

- Loosely install the two Boom Cross Tubes between the masts with two 5/16"-18x1" (325-5136-00) Socket-head screws each using the 1/4" driver. [A]
- Locate the Monitor Bracket. Remove the knob and open the bottom clamp. Hook the top of the Monitor Bracket over the top cross tube then close the bracket's bottom clamp over the bottom tube. Re-install the knob loosely. [B]
- Slide the Bracket all the way to the left side of the table and tighten the Cross Tube Fasteners on the adjacent Boom Mast. Next, slide the Bracket all the way to the right side of the table and tighten the Cross Tube Fasteners there. Slide the Knuckle to the center of the Cross Tube.
- Align the Monitor Track with the front of the Monitor Bracket so that the top holes on the bracket line up with the pair of holes 8 down from the top of the track. Attach with two 325-5423-00 fasteners. Count up seven holes from the bottom and attach with two more 325-5423-00 fasteners. [C]
- Remove and set aside the safety fastener at the top of the Monitor Track [D].
- Slide the Monitor Block into the track with the hooks facing down. Hook it into the slots on the Monitor Track at the desired height [E].
- Locate the four End Caps in your kit. Pop the End Caps to cover the ends of the cross tubes.



1" Socket-head Cap Screw
325-5136-00

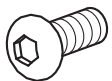
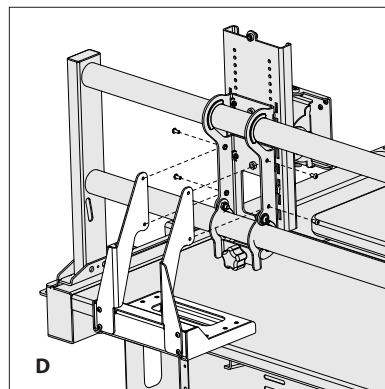
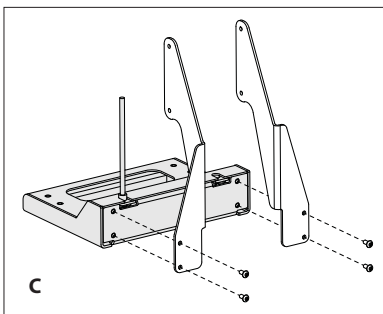
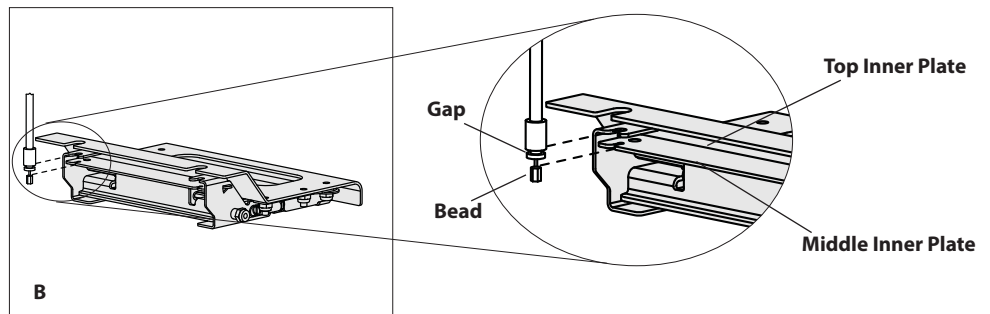
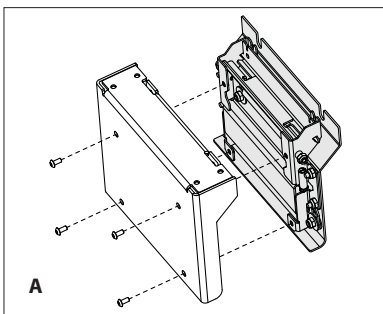


#8-32 UNF x 3/8 Hex BHCS
325-5423-00

STEP 11

INSTALL BRAKE ASSEMBLY

- Locate the Monitor Boom Brake Mechanism. Using the 3/32" Hex Key, remove the four fasteners that attach the mechanism's bottom plate. Set aside the fasteners and plate. [A]
- Locate the cable on Boom Mast Y. Slip the end of the cable into the slot at the end of the Brake Assembly so that the gap at the bottom of the cable fitting fits into the top inner plate in the brake assembly. Use the side of a large hex key or the Anthro driver to press the housing into place until it clicks. Pull the bead at the end of the cable so it is below the middle inner plate as shown. If needed, use pliers to pull the bead of the cable out of the fitting so it's long enough to reach. [B]
- Reattach the bottom plate. Locate the Brake Arms. Attach the arms to the mechanism as shown with two #8-32 Button-hd Cap Screws (325-5423-00) each using the 3/32" Hex Key. [C]
- Align the Brake Assembly with the Knuckle so the holes on the arms line up with the holes on each side of the bracket. [D]
- Attach the Brake Assembly to the bracket with four more #8-32 Button-hd Cap Screws. [D]
- Slide the Boom Assembly all the way back and tighten the Boom Mast Fasteners at the back of the table. Slide the Boom Assembly all the way forward and tighten the Boom Mast Fasteners at the front of the table.

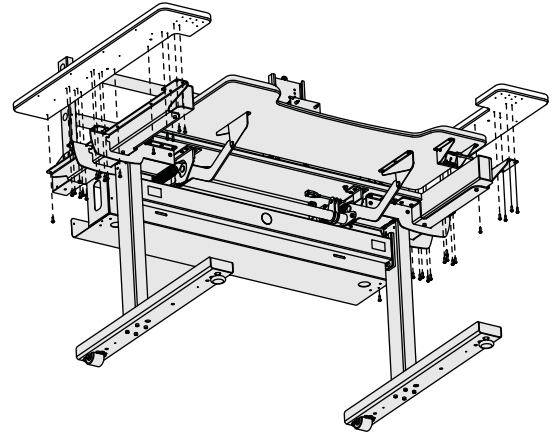
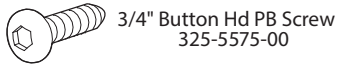


#8-32 UNFx3/8 Hex BHCS
325-5423-00

STEP 12

INSTALL SIDE SHELVES

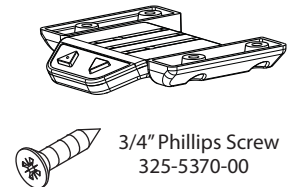
- Locate the two Side Shelves. Align one Side Shelf with the table so the holes on the bottom of the shelf line up with the holes on the Side Weldment. Attach the shelf to the weldment with sixteen 3/4" MDF Screws using the Anthro driver.
- Repeat for the second Side Shelf.



STEP 13

INSTALL KEYPAD AND CONNECT CORDS

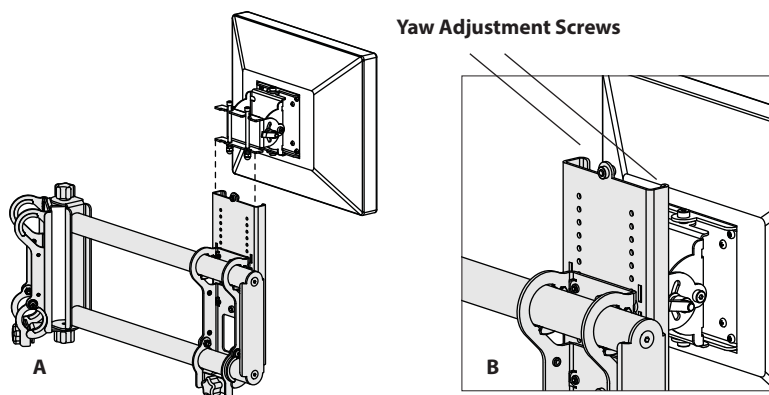
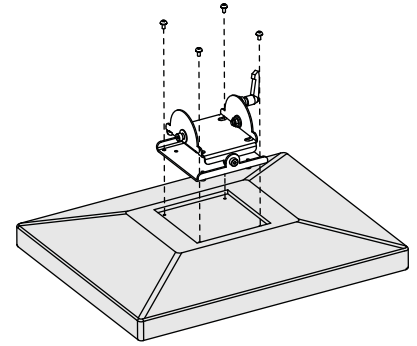
- Align the keypad with its housing so the keypad rests inside the housing and the buttons face up. Align the assembly with the right-hand side shelf so the holes on the assembly line up with the holes on the shelf.
- Attach the keypad assembly to the shelf with four 3/4" Phillips Flat-head Screws using your Phillips screwdriver.
- Route the keypad cord through the clips, through the openings on the side shelf support, and plug the cord into the Control Box.
- Plug leg cords into the Control Box.
- Plug the power cord into the Control Box and into the wall. Home the legs by pressing the DOWN button until the table is at its lowest position. Release the button, then press DOWN again until the table settles into position. This keeps the legs in sync.



STEP 14

INSTALL YOUR MONITOR

- To install a monitor onto your table, attach the knuckle to your monitor. Place your monitor face down on a non-marring surface with the top of the monitor away from you.
- Align the knuckle with the monitor so the holes on the knuckle line up with the holes on the back of the display and the tilt release lever is on the right.
- Attach the knuckle to the monitor with four M4x8mm Phillips screws (325-A129-18-01-00). If the knuckle won't fit into the attachment area on the back of your display, use the spacers (325-5640-00) and the longer M4x18mm (325-A300-05-01-00) screws.
- Slide the Monitor and Knuckle Assembly into the track until it rests on the block. Check the height. If needed, slide the assembly out, reposition the Monitor Block, and reinstall the Monitor and Knuckle assembly.
- Once all knuckles are installed, fine-tune their height and “yaw” (side-to-side tilt). Two height adjustment screws are located on the back of the knuckle just above the block, one on the left side and one on the right. Insert the long 3/16” hex key into the opening and turn clockwise to move that side up, counter-clockwise to move it down.



STEP 15

INSTALL COMPUTERS, POWER, AND OTHER EQUIPMENT

- Install Power Bar, if purchased. Slide it into the cable trough and plug in your equipment. You can even plug your table into the Power Bar and send a single power cord to the wall!
- Install CPU SideRacks, if purchased, using their enclosed instructions.

CONGRATULATIONS!

YOUR STEVE'S STATION ESSENTIAL ASSEMBLY IS COMPLETE!



Anthro Corporation® | 10450 SW Manhasset Dr. | Tualatin, OR 97062
Toll-free: 800.325.3841 | Fax: 800.325.0045 | email: sales@anthro.com | anthro.com
Outside the U.S. | Tel: 503.691.2556 | Fax: 503.691.2409



Warranty:

This Steve's Station Essential Table has a Lifetime Warranty against manufacturing defects on the table and a 2-year warranty on the electrical components. Cords and plugs are not warranted.

Notices:

Technology Furniture, Steve's Station, and Monitor Easy Track are trademarks of Anthro Corporation. Anthro reserves the right to modify the design and specifications without prior notice.

Questions? Call us at **800.325.3841** or visit **anthro.com**. We're happy to walk you through the assembly!