

ergotron[®]

moving you forward

Ergotron Tablet Cart

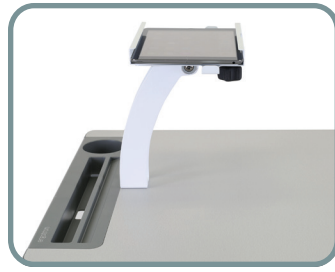
- Universal design: Securely supports a tablet for telehealth, registration and more
- Personalized views: Tilt feature lets caregivers and patients fine-tune the placement
- Integrated storage: Multiple areas hold supplies for moving between rooms
- Comfortable fit: Sit-stand height adjustment enables personalized comfort
- Compact footprint: Mobile, lightweight platform fits into tight spaces
- Customizable features: Add additional accessories to support your workflow



FLEXIBLE, SIT-STAND DESIGN FOR TABLETS

Support telehealth initiatives and patient-family relationships with this flexible, sit-stand tablet cart. It can be used sitting or standing for a comfortable fit that's personalized to each patient or caregiver. The cart moves easily from room to room with an included worksurface and storage areas to hold supplies. With many optional accessories, it's customizable for each unique workflow.

Ergotron Tablet Cart



1. Universal design securely supports your tablet with tilt feature
2. Integrated storage areas keep supplies in place when moving between rooms
3. Sit-stand height adjustment creates a comfortable fit for users
4. Mobile, compact platform fits into tight spaces

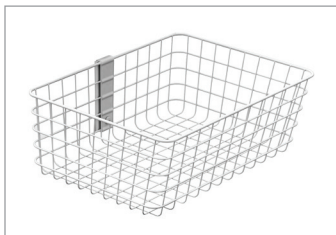
Add additional accessories to support your workflow:



Sani-wipes Holder
98-450



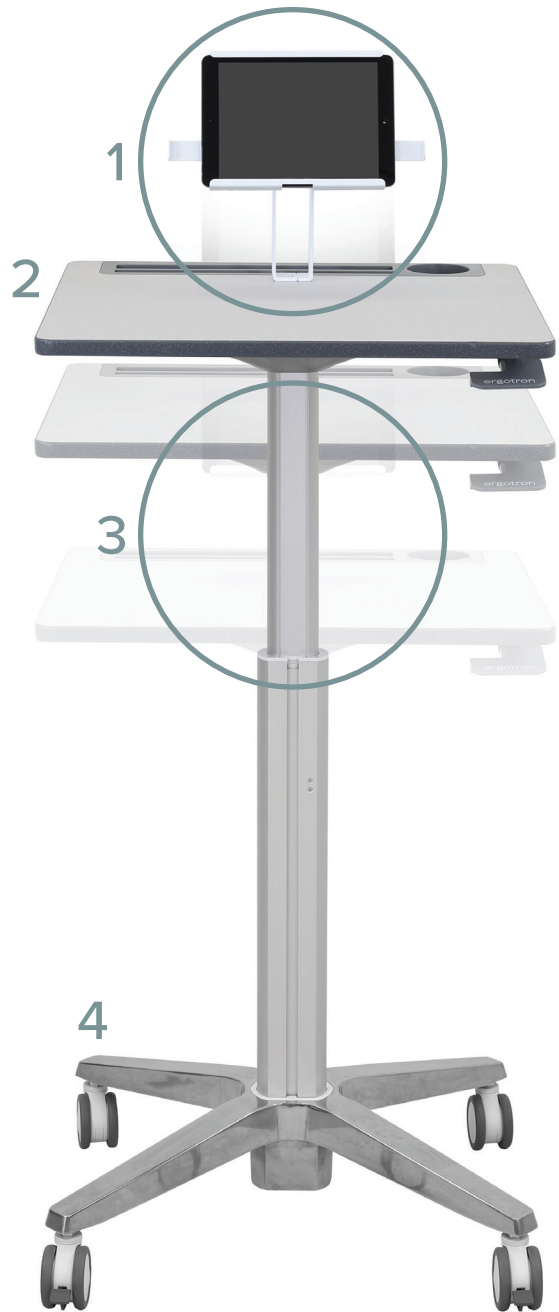
Storage Bins
97-926-064



SV Wire Basket
98-135-216



LiFeKinnex™ Power System
See website



Part number 98-500 includes:
LearnFit Mobile Desk (24-481-003)
Tablet Riser (98-002)
Tablet Easel (98-003)
Installation template for riser (98-498)

Drilling required: Cart includes template for drilling two holes into worksurface for tablet holder

Part # (color)	USA & Canada 98-500 (grey & silver)
Weight Capacity	Worksurface 6 lbs (2.7 kg); includes tablet ≤ 2.5 lbs (1.1 kg)
Lift	16" (40.6 cm cm)
Worksurface Dimensions	24" x 22" (61 x 56 cm)
Shipping Weight	44.5 lbs (20.2 kg)
Warranty	3 years

Download additional resources at ergotron.com.

For more information:

USA and Canada: 800.888.8458 / +1.651.681.7600 / insidesales@ergotron.com

EMEA: +31.33.45.45.600 / info.eu@ergotron.com

APAC: apaccustomerservice@ergotron.com

LATAM: +1.800.681.1820 / info.latam@ergotron.com

Custom: custom@ergotron.com

© Ergotron, Inc. 10.08.2020

Literature made in the U.S.A.

Content subject to change.

Ergotron devices are not intended to cure, treat, mitigate or prevent any disease.

Patent information available at www.ergotron.com/patents.

WorkFit, StyleView, LearnFit, Neo-Flex, PowerShuttle, LiFeKinnex, CareFit and eKinnex are trademarks of Ergotron.

