

## CART

Vertical Lift 22" (559 mm)

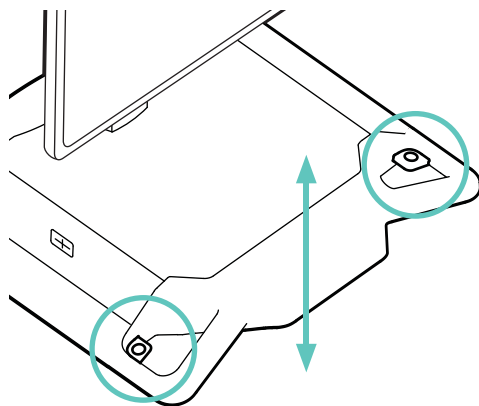
## MONITOR

Lift 5" (127 mm)  
 Extension 4" (102 mm)  
 Tilt 65°  
 Pan 180°  
 P/L Rotation 360°  
 (can be locked at 0°)

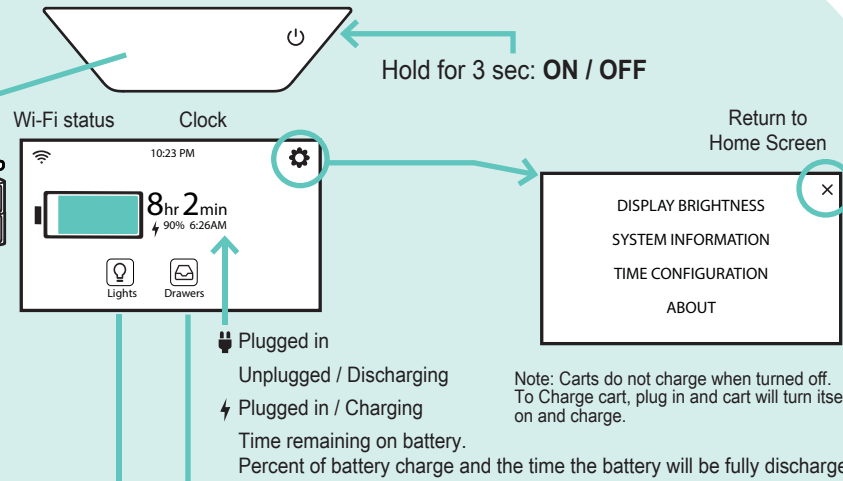
## KEYBOARD

Extension 7.5" (191 mm)  
 Tilt 10°  
 Pan 170°  
 Tray slides side-to-side  
 for right / left mousing  
 Tray removes for cleaning

With cart turned on,  
 Hold Button to move  
**UP / DOWN**

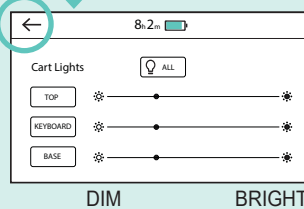


## TOUCH SCREEN CONTROL PANEL



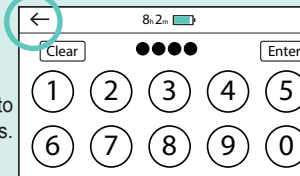
Hold for 3 sec: **ON / OFF**

Return to Home Screen



Return to Home Screen

Enter PIN to open drawers.



- Drawer is UNLOCKED or Open. Press to lock.
- Drawer is LOCKED or Closed. Press to unlock.
- Imprivata single sign on.

For complete and up-to-date touch screen instructions visit the 'DOWLOADS' on the product page at [www.ergotron.com](http://www.ergotron.com)



For cleaning instructions visit the 'DOWLOADS' on the product page at [www.ergotron.com](http://www.ergotron.com)

For information about eKinex, visit: [www.ergotron.com/ekinex](http://www.ergotron.com/ekinex)

For the latest User Installation Guide please visit: [www.ergotron.com](http://www.ergotron.com) | English, Español, Français, Deutsch, Nederlands, Italiano, Svenska, 日本語, 汉语