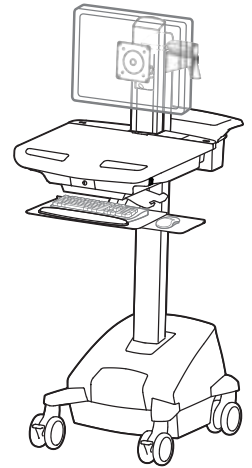
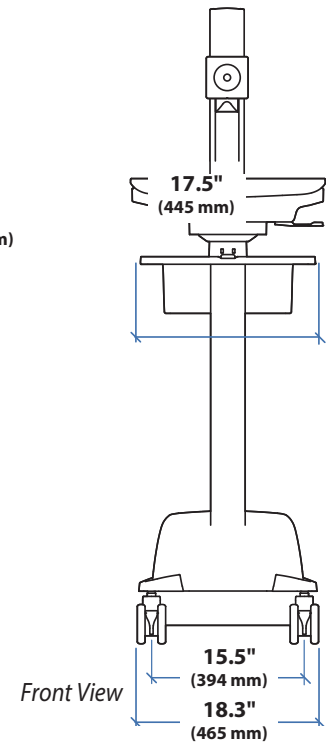
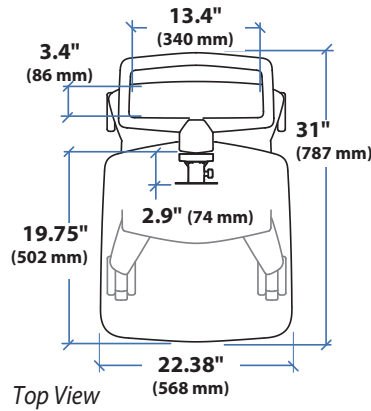
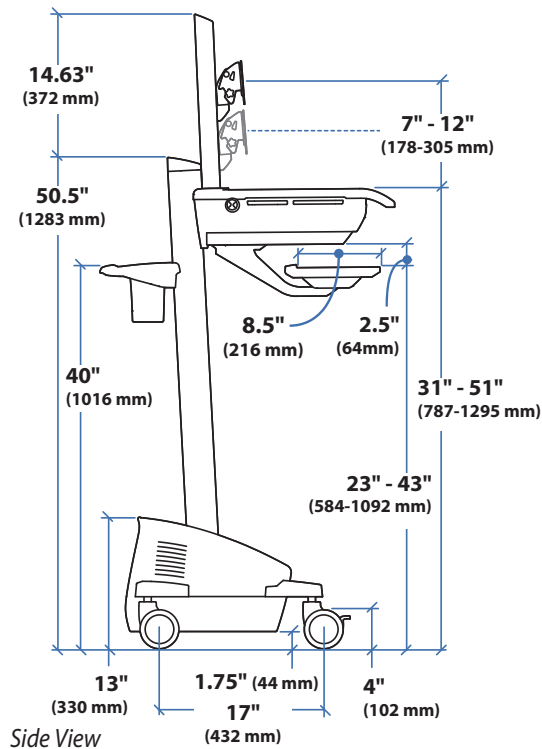


StyleView® Electric Lift Cart with LCD Pivot and LiFe Power System



Dimensions



© 2018 Ergotron, Inc. rev. 06/12/2018 DIM-SV42PIVOT-E Content is subject to change without notification

Americas Sales and Corporate Headquarters

St. Paul, MN USA
(800) 888-8458
+1-651-681-7600
www.ergotron.com
sales@ergotron.com

EMEA Sales

Amersfoort, The Netherlands
+31 33 45 45 600
www.ergotron.com
info.eu@ergotron.com

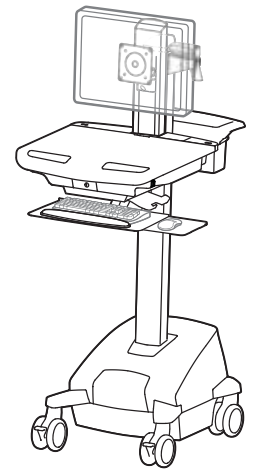
APAC Sales

Tokyo, Japan
www.ergotron.com
apaccustomerservice@ergotron.com

Worldwide OEM Sales

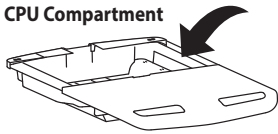
www.ergotron.com
info.oem@ergotron.com

StyleView® Electric Lift Cart with LCD Pivot and LiFe Power System

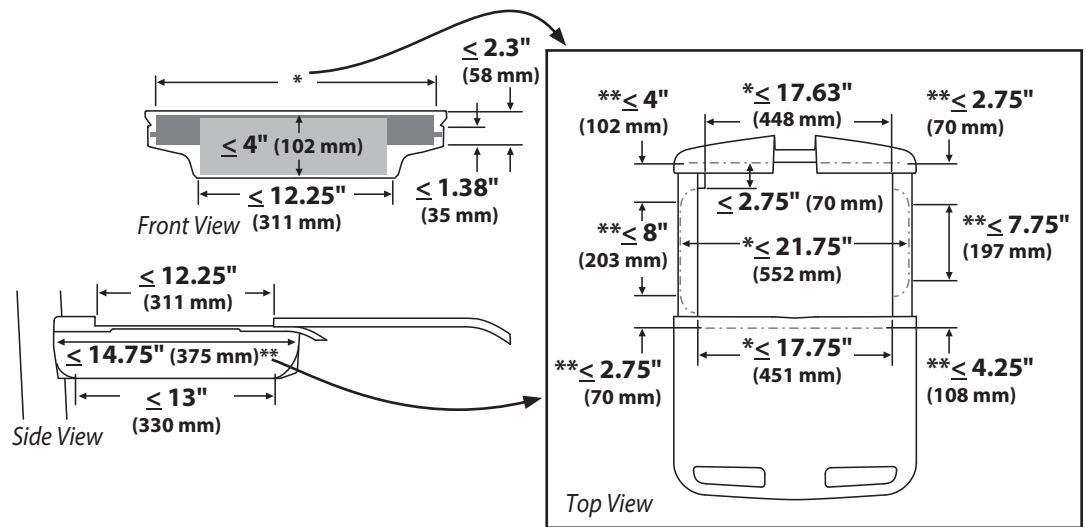


Dimensions

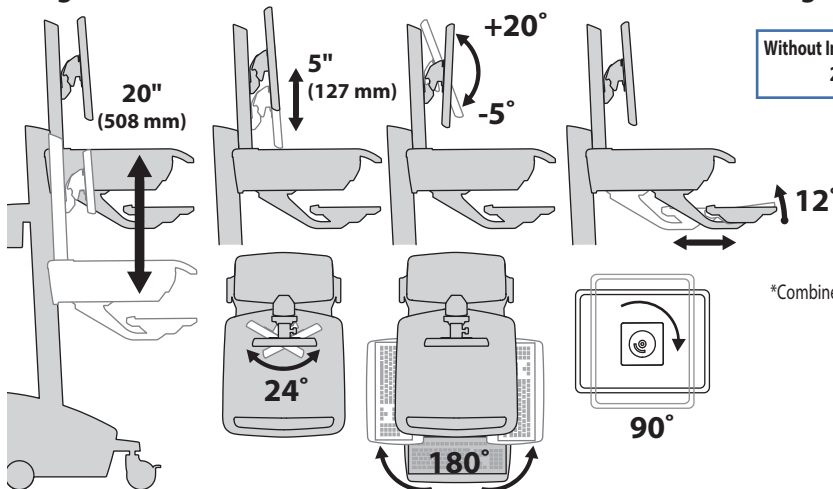
CPU Compartment



When figuring dimensions, include mounted accessories, protruding cables and port replicators or docking stations.



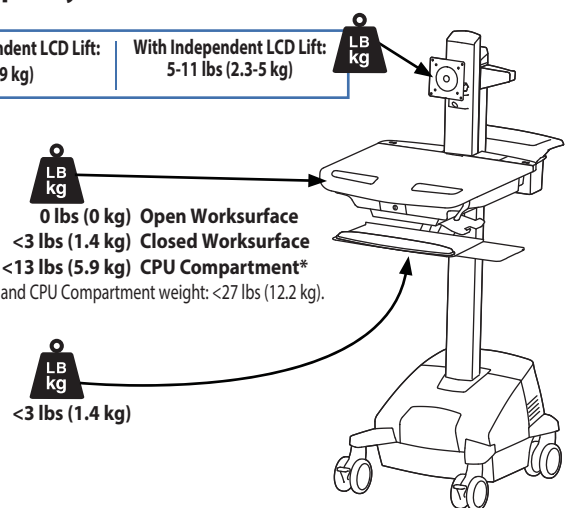
Range of Motion



Weight Capacity

Without Independent LCD Lift: 20 lbs (9 kg)

With Independent LCD Lift: 5-11 lbs (2.3-5 kg)



Americas Sales and Corporate Headquarters

St. Paul, MN USA
(800) 888-8458
+1-651-681-7600
www.ergotron.com
sales@ergotron.com

EMEA Sales

Amersfoort, The Netherlands
+31 33 45 45 600
www.ergotron.com
info.eu@ergotron.com

APAC Sales

Tokyo, Japan
www.ergotron.com
apaccustomerservice@ergotron.com

Worldwide OEM Sales

www.ergotron.com
info.oem@ergotron.com