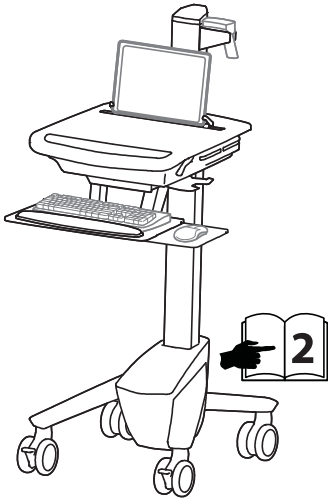
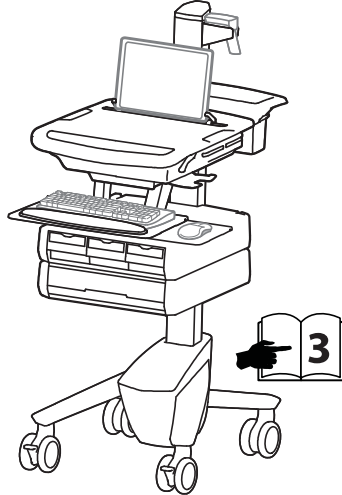


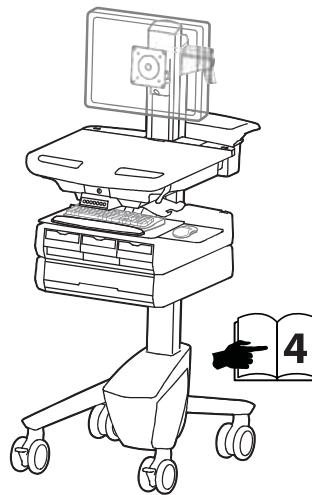
SV40 Laptop



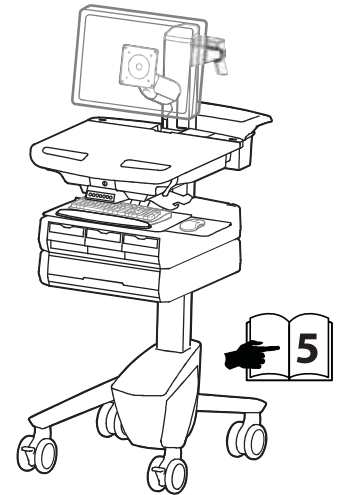
SV41/SV43 Laptop



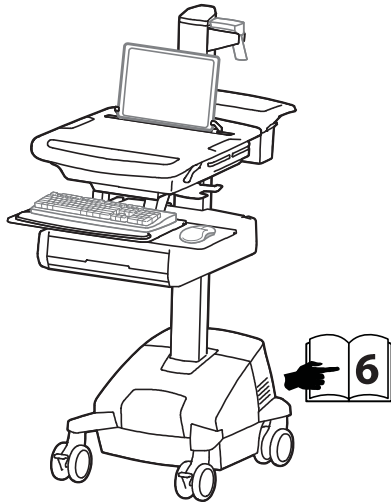
SV41/SV43 LCD Pivot



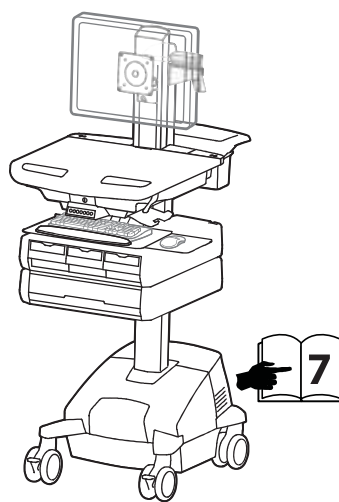
SV41/SV43 LCD Arm



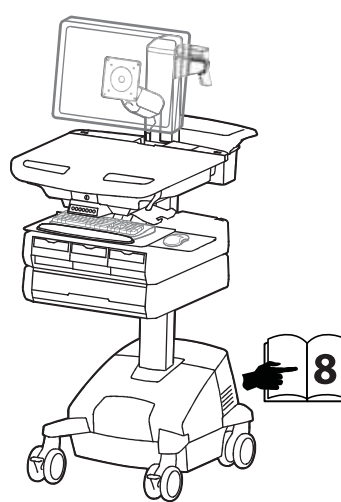
SV42/SV44 Laptop



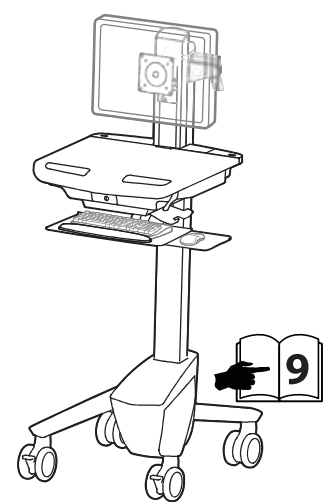
SV42/SV44 LCD Pivot



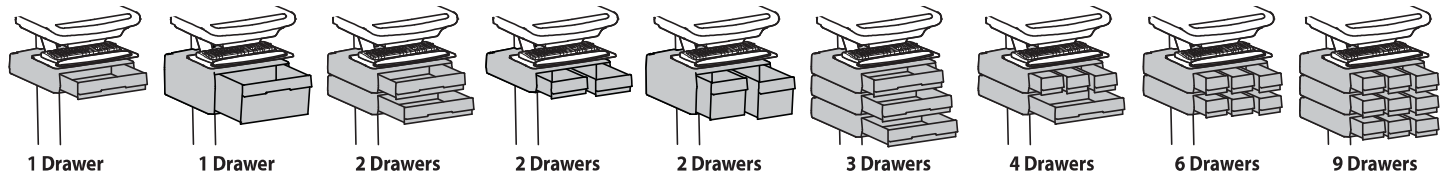
SV42/SV44 LCD Arm



SV40 LCD Pivot



***Auto-Lock Drawer**



© 2014 Ergotron, Inc. rev. 04/25/2019 DIM-SV4X-Drawers Content is subject to change without notification

Americas Sales and Corporate Headquarter

St. Paul, MN USA
(800) 888-8458
+1-651-681-7600
www.ergotron.com
sales@ergotron.com

EMEA Sales

Amersfoort, The Netherlands
+31 33 45 45 600
www.ergotron.com
info.eu@ergotron.com

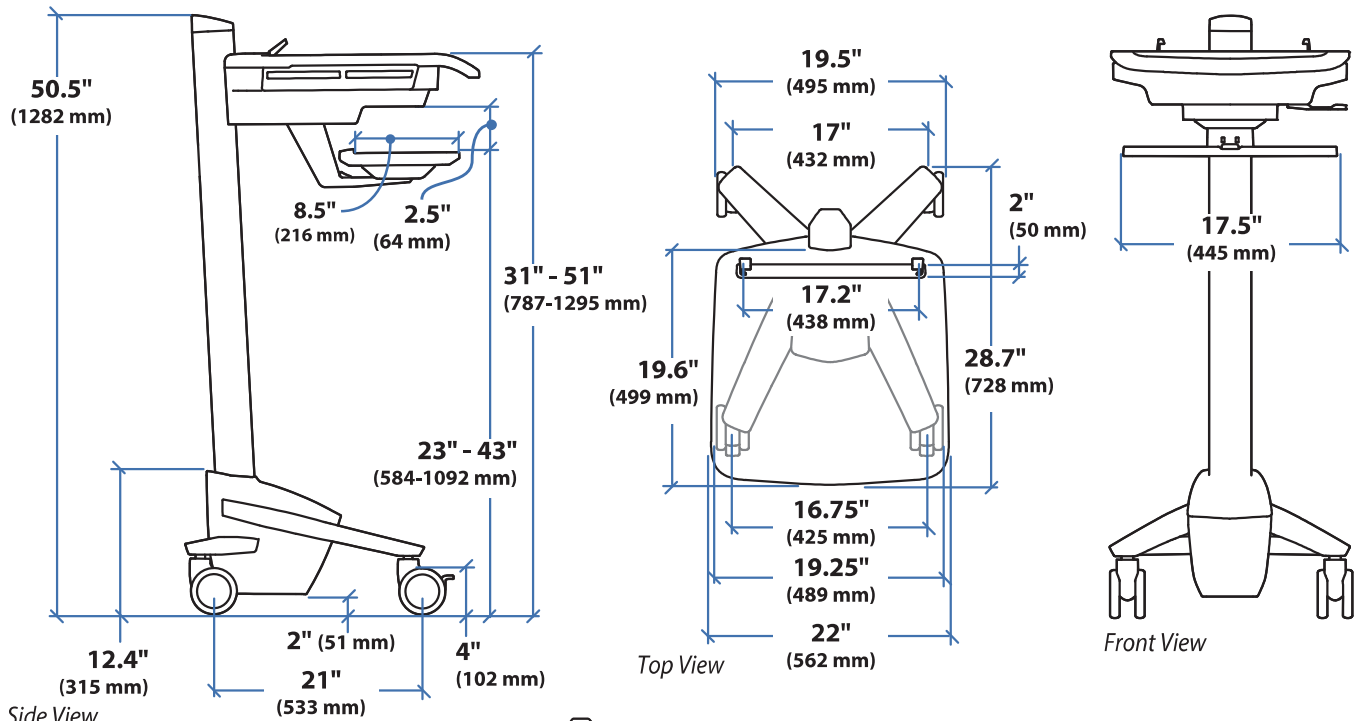
APAC Sales

Tokyo, Japan
www.ergotron.com
apaccustomerservice@ergotron.com

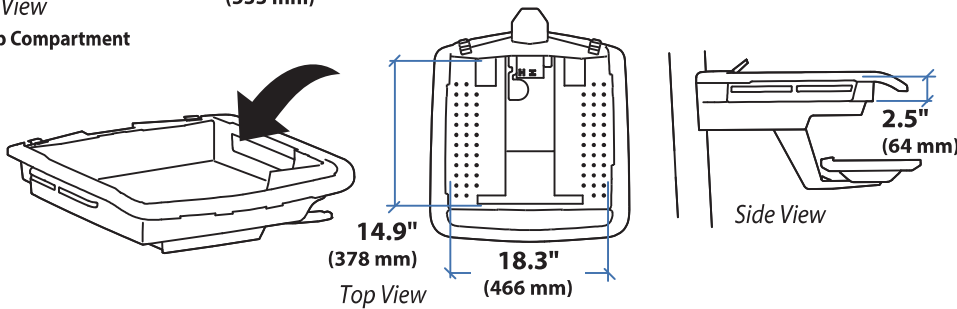
Worldwide OEM Sales

www.ergotron.com
info.oem@ergotron.com

Dimensions

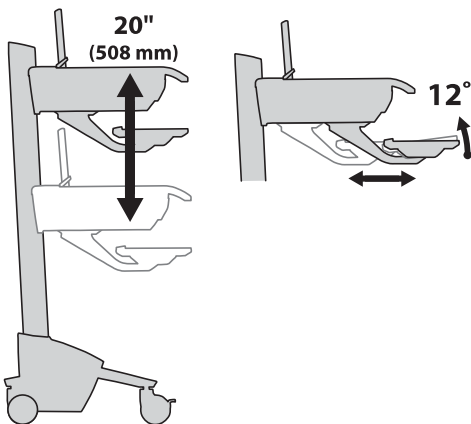


Laptop Compartment



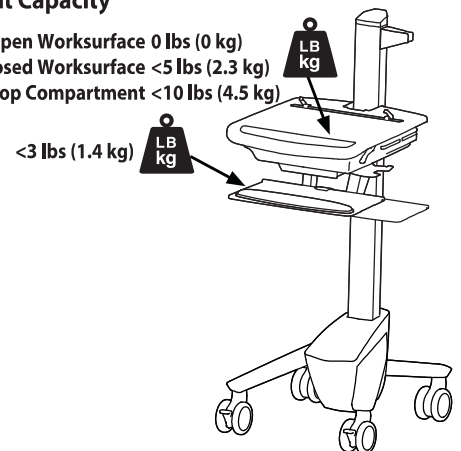
When figuring dimensions, include mounted accessories, protruding cables and port replicators or docking stations.

Range of Motion



Weight Capacity

- Open Worksurface 0 lbs (0 kg)
- Closed Worksurface <5 lbs (2.3 kg)
- Laptop Compartment <10 lbs (4.5 kg)



© 2014 Ergotron, Inc. rev. 04/25/2019 DIM-SV4X-Drawers Content is subject to change without notification

Americas Sales and Corporate Headquarter

St. Paul, MN USA
 (800) 888-8458
 +1-651-681-7600
 www.ergotron.com
 ales@ergotron.com

EMEA Sales

Amersfoort, The Netherlands
 +31 33 45 45 600
 www.ergotron.com
 info.eu@ergotron.com

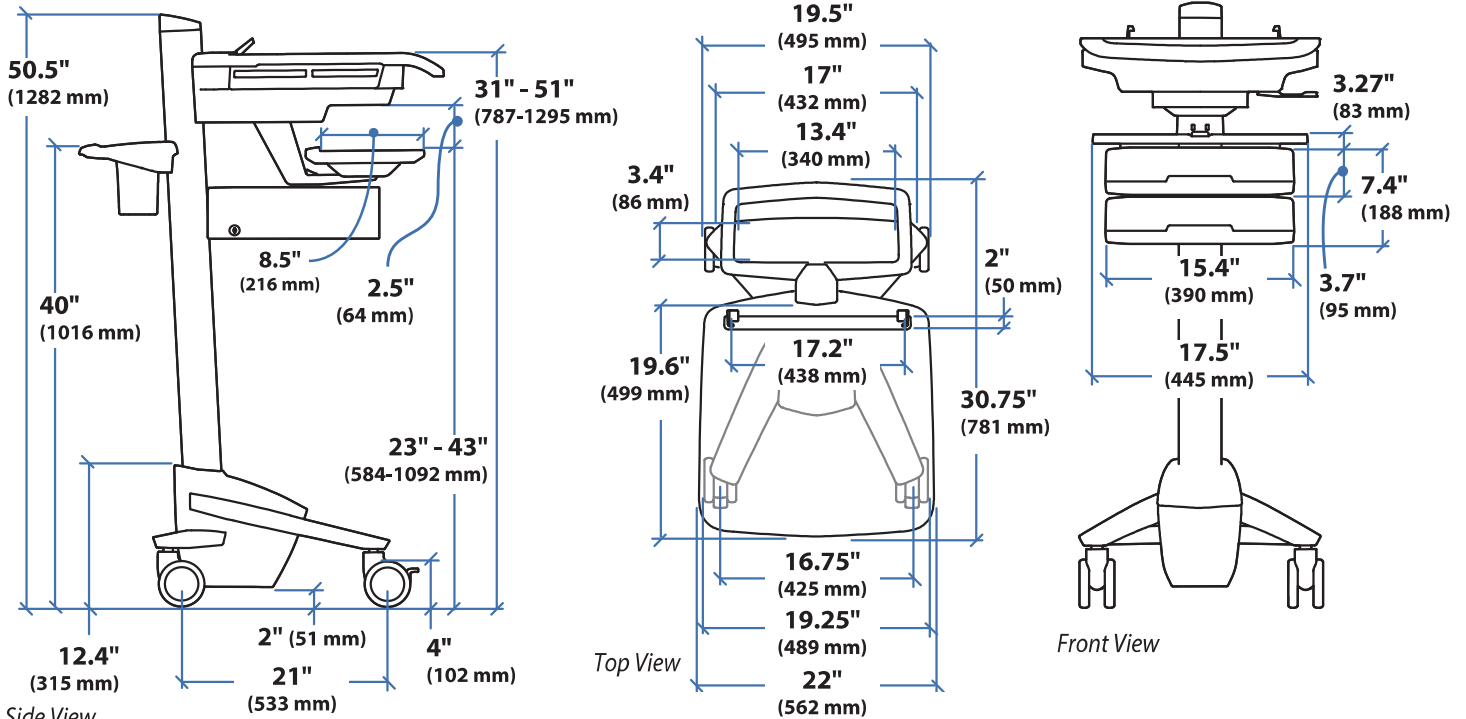
APAC Sales

Tokyo, Japan
 www.ergotron.com
 apaccustomerservice@ergotron.com

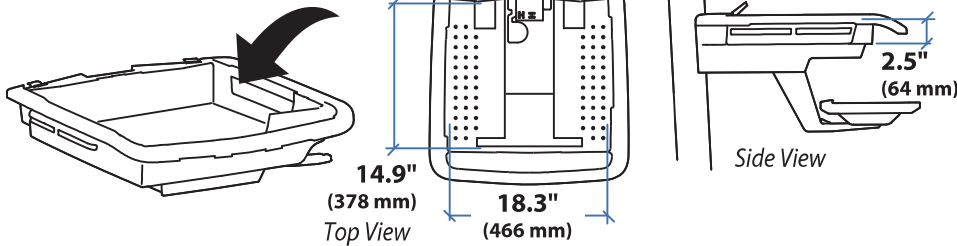
Worldwide OEM Sales

www.ergotron.com
 info.oem@ergotron.com

Dimensions

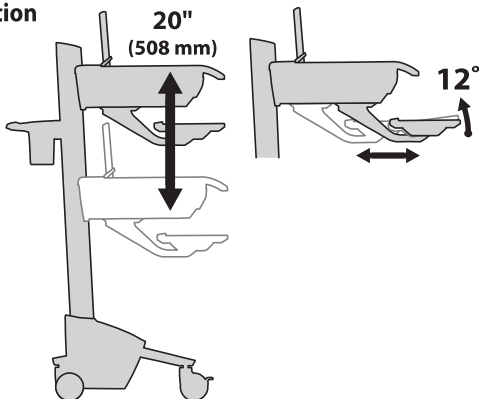


Laptop Compartment



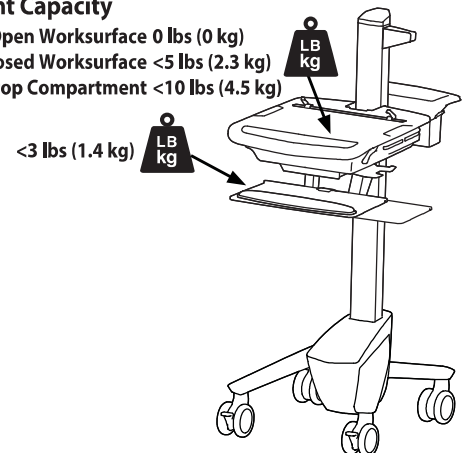
When figuring dimensions, include mounted accessories, protruding cables and port replicators or docking stations.

Range of Motion

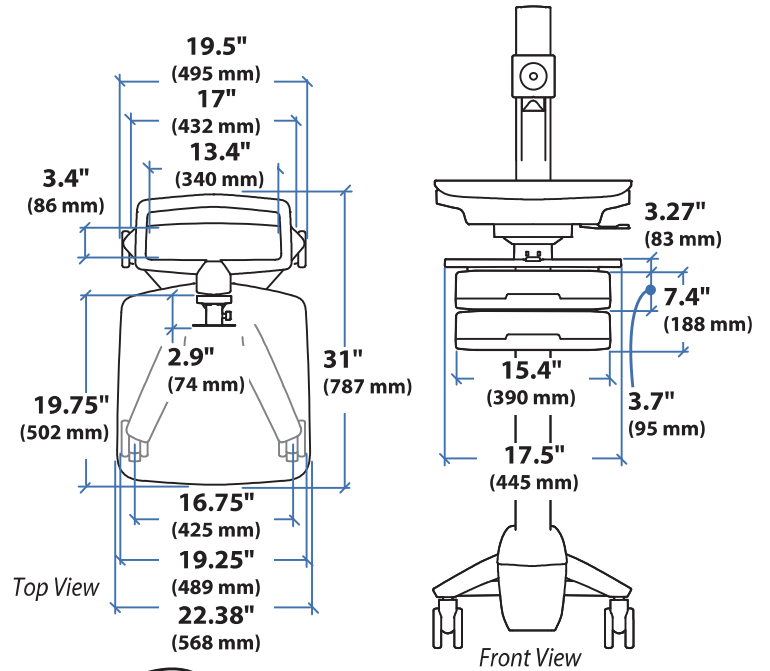
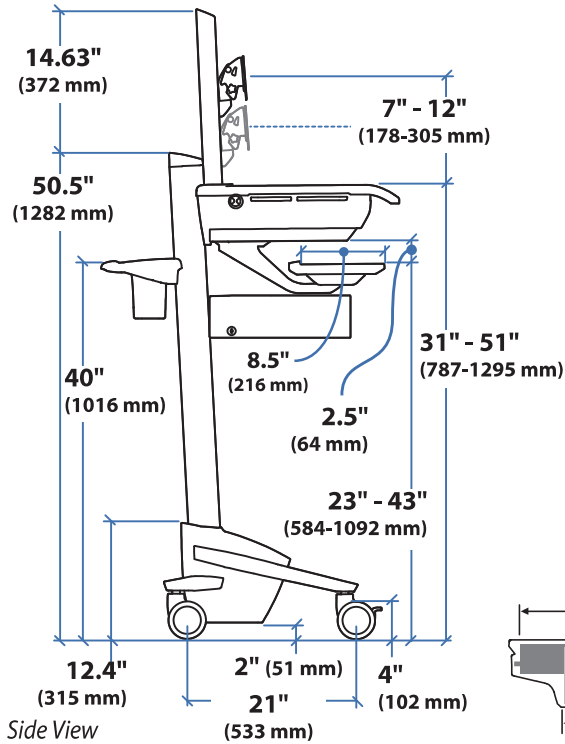


Weight Capacity

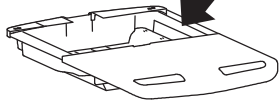
- Open Worksurface 0 lbs (0 kg)
- Closed Worksurface <5 lbs (2.3 kg)
- Laptop Compartment <10 lbs (4.5 kg)



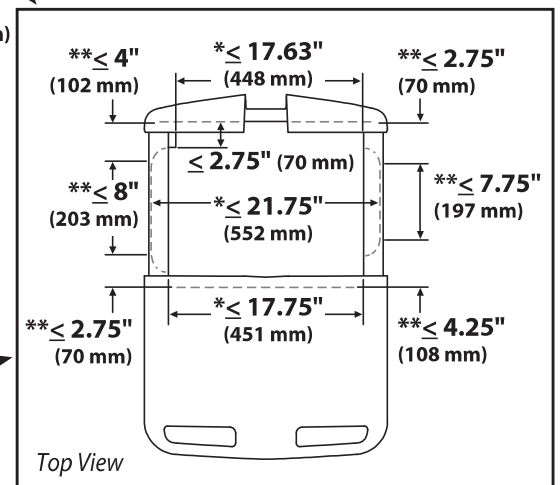
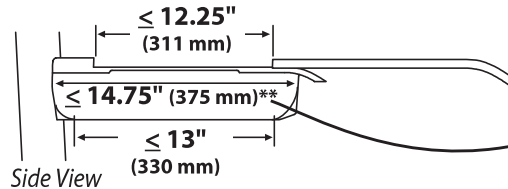
Dimensions



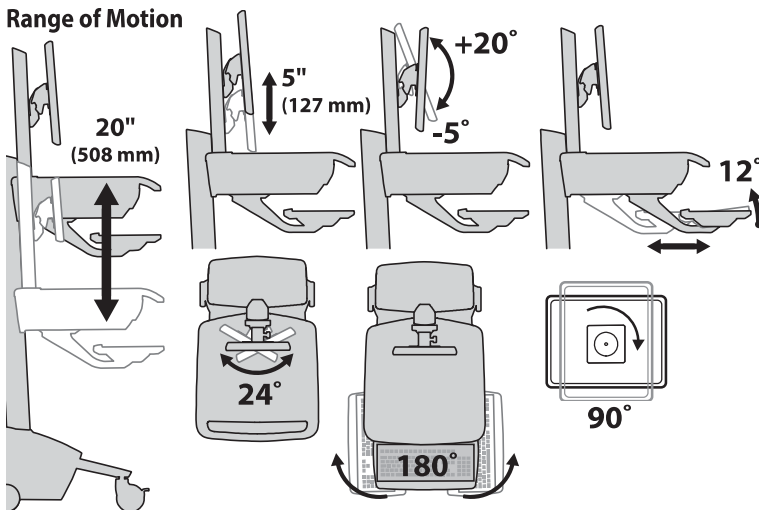
CPU Compartment



When figuring dimensions, include mounted accessories, protruding cables and port replicators or docking stations.

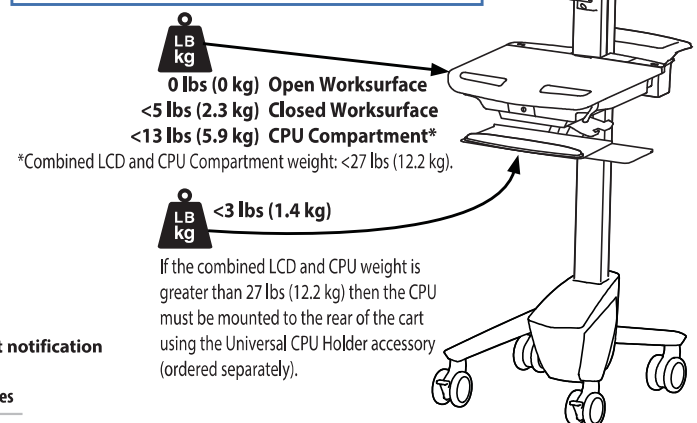


Range of Motion



Weight Capacity

With Independent LCD Lift: <14 lbs (6.4 kg)	Without Independent LCD Lift: 20 lbs (9 kg)
--	--



© 2014 Ergotron, Inc. rev. 04/25/2019 DIM-SV4X-Drawers Content is subject to change without notification

Americas Sales and
Corporate Headquarter

EMEA Sales

APAC Sales

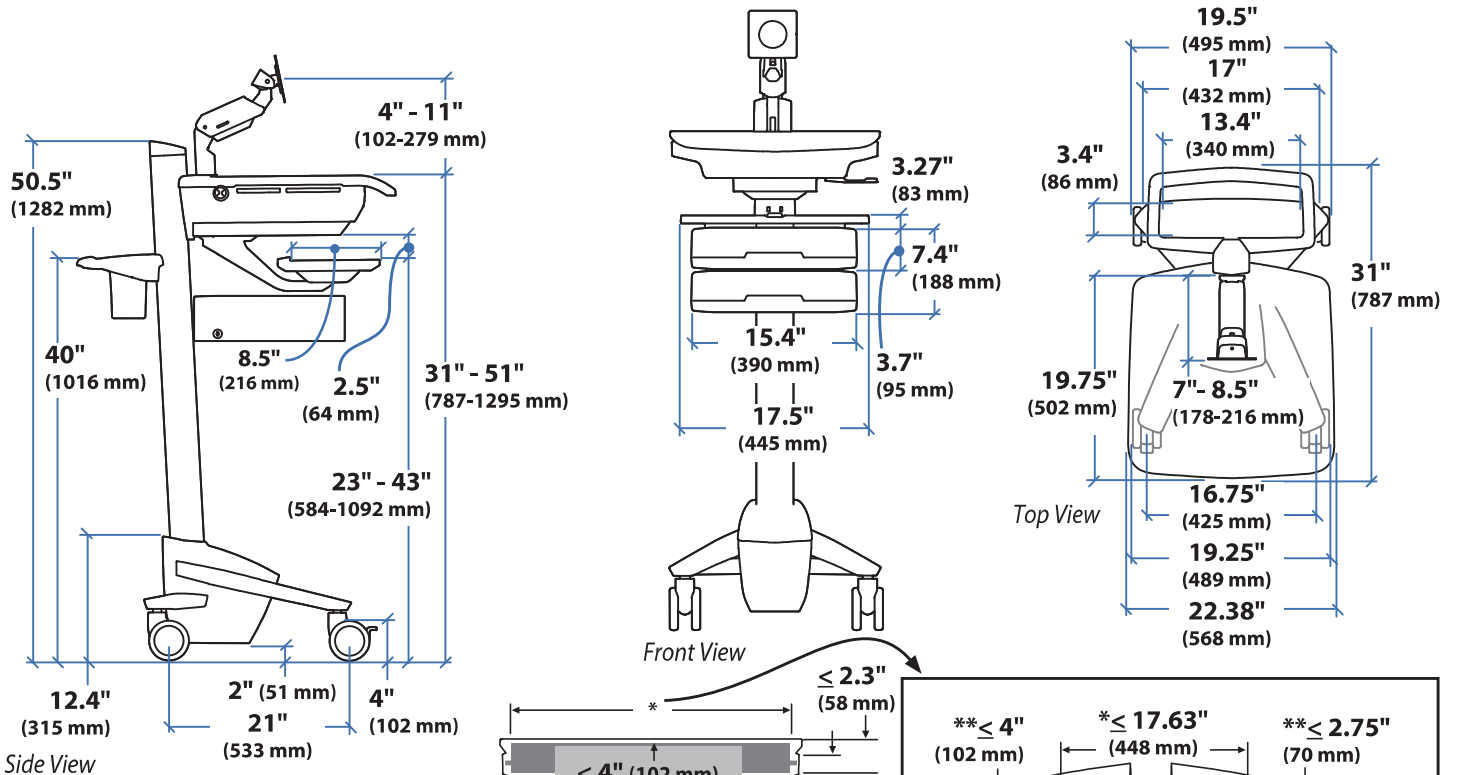
Worldwide OEM Sales

St. Paul, MN USA
(800) 888-8458
+1-651-681-7600
www.ergotron.com
sales@ergotron.com

Amersfoort, The Netherlands
+31 33 45 45 600
www.ergotron.com
info.eu@ergotron.com

Tokyo, Japan
www.ergotron.com
apaccustomerservice@ergotron.com

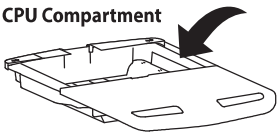
www.ergotron.com
info.oem@ergotron.com



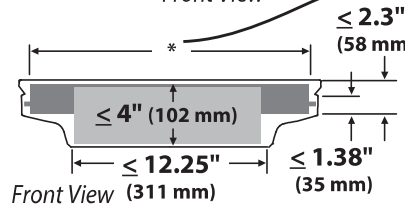
Side View

Front View

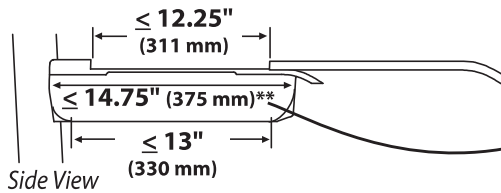
Top View



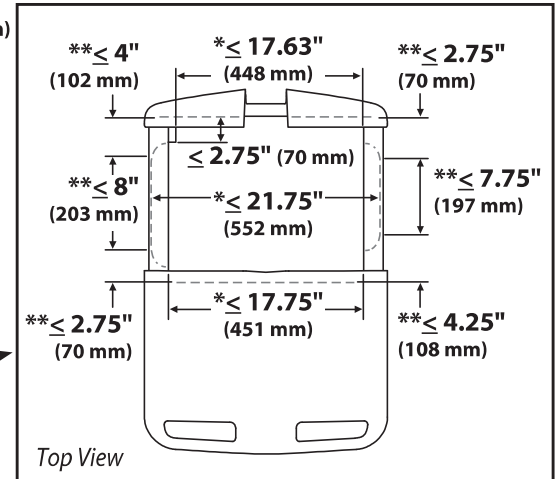
When figuring dimensions, include mounted accessories, protruding cables and port replicators or docking stations.



Front View

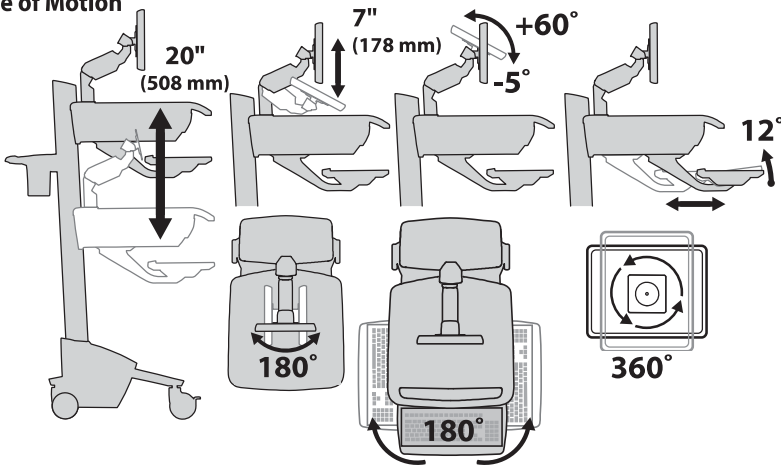


Side View

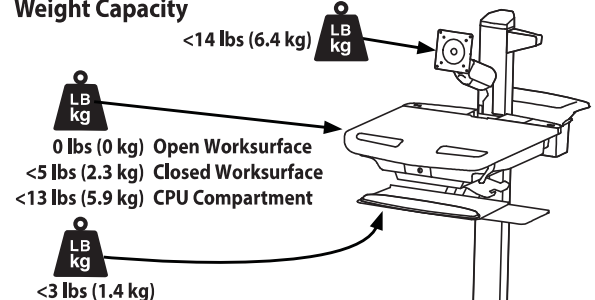


Top View

Range of Motion



Weight Capacity

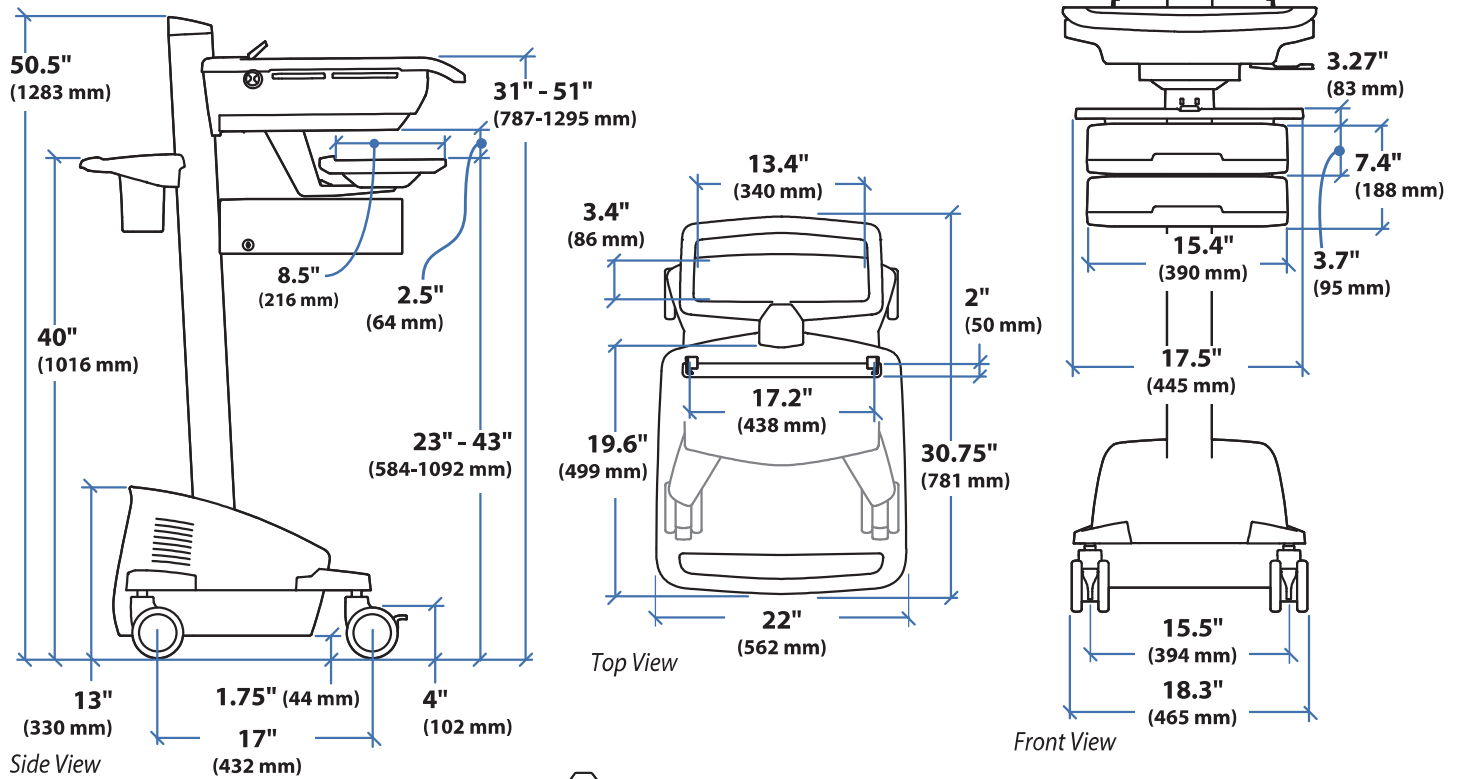


If the combined LCD and CPU weight is greater than 27 lbs (12.2 kg) then the CPU must be mounted to the rear of the cart using the Universal CPU Holder accessory (ordered separately).

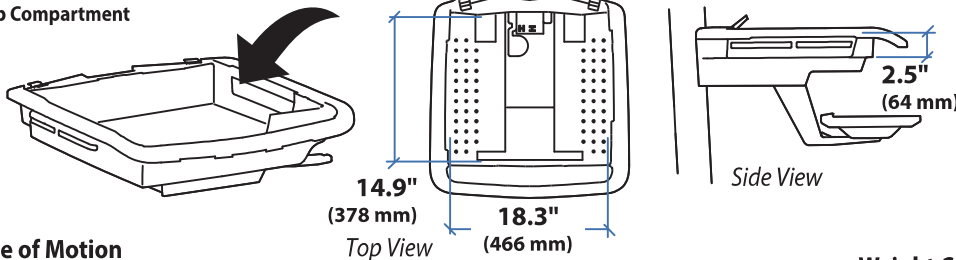
© 2014 Ergotron, Inc. rev. 04/25/2019 DIM-SV4X-Drawers Content is subject to change without notification

Americas Sales and Corporate Headquarter	EMEA Sales	APAC Sales	Worldwide OEM Sales
St. Paul, MN USA (800) 888-8458 +1-651-681-7600 www.ergotron.com sales@ergotron.com	Amersfoort, The Netherlands +31 33 45 45 600 www.ergotron.com info.eu@ergotron.com	Tokyo, Japan www.ergotron.com apacustomerservice@ergotron.com	www.ergotron.com info.oem@ergotron.com

Dimensions

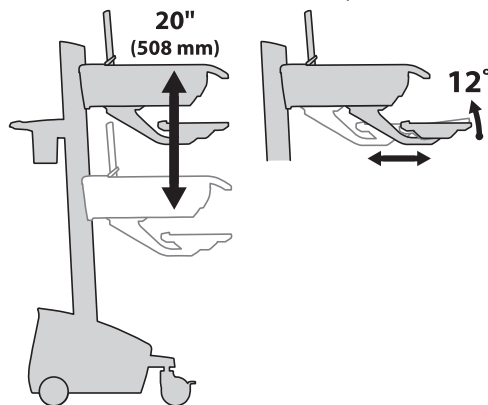


Laptop Compartment



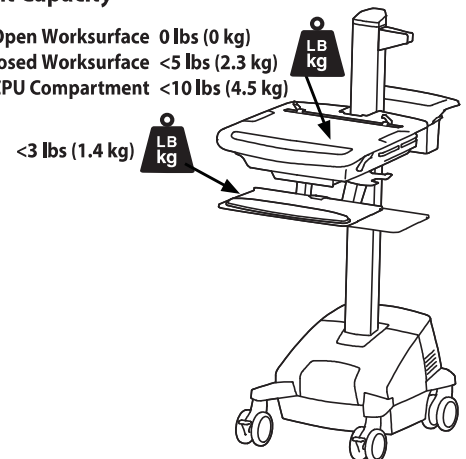
When figuring dimensions, include mounted accessories, protruding cables and port replicators or docking stations.

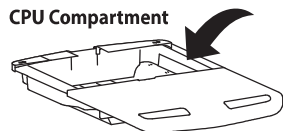
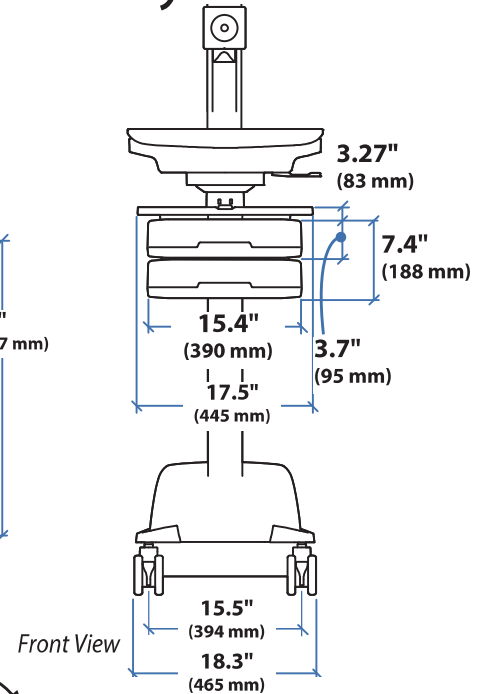
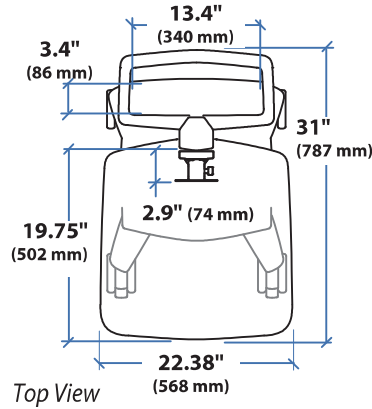
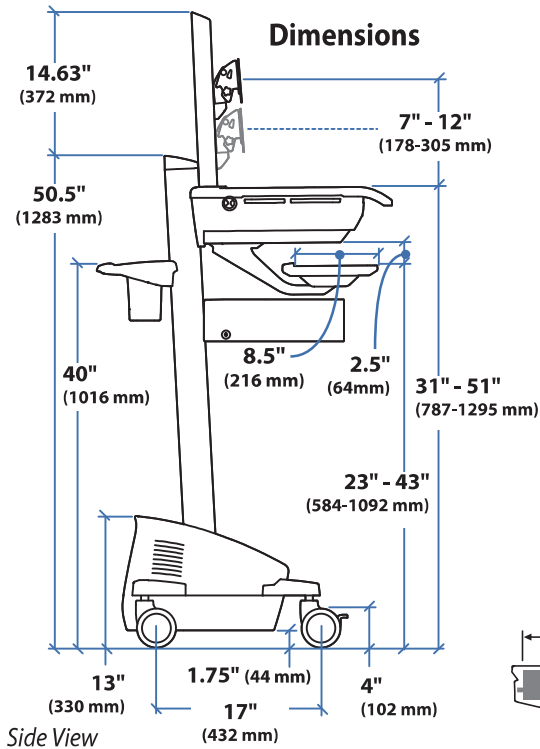
Range of Motion



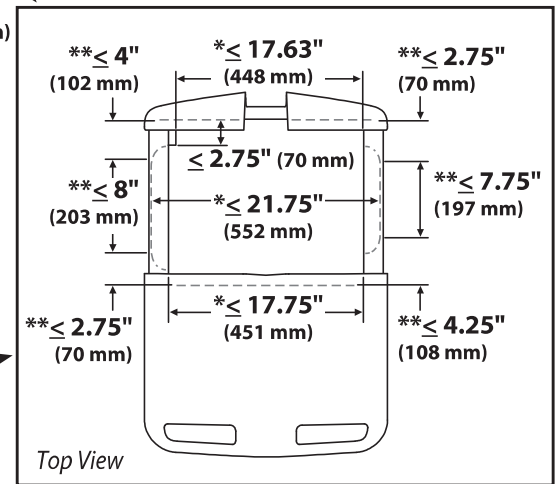
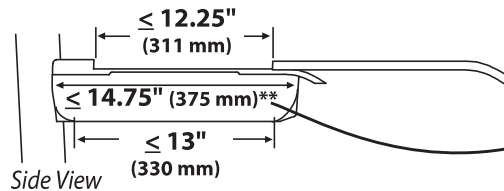
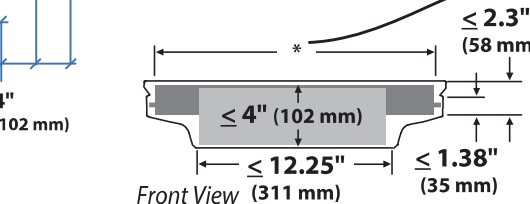
Weight Capacity

- Open Worksurface 0 lbs (0 kg)
- Closed Worksurface <5 lbs (2.3 kg)
- CPU Compartment <10 lbs (4.5 kg)

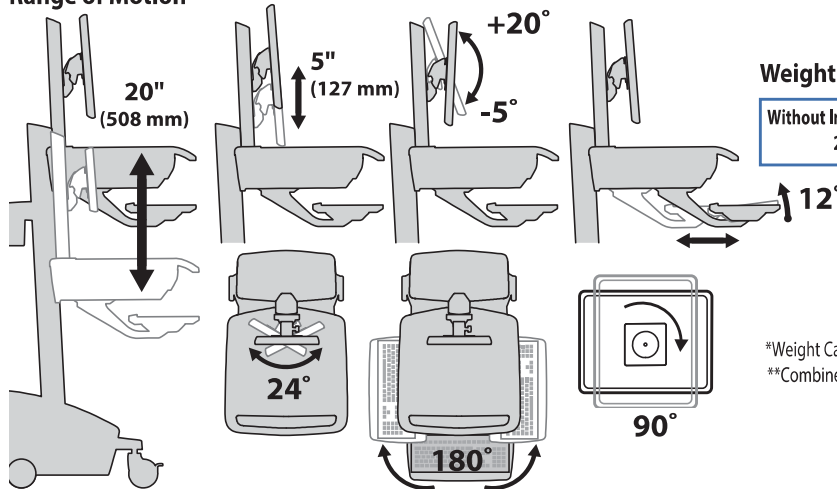




When figuring dimensions, include mounted accessories, protruding cables and port replicators or docking stations.



Range of Motion



Weight Capacity

Without Independent LCD Lift: 20 lbs (9 kg)	With Independent LCD Lift: 6-14 lbs (2.7-6.4 kg)
Carts with LiFe Power System: 5-11 lbs (2.3-5 kg)	

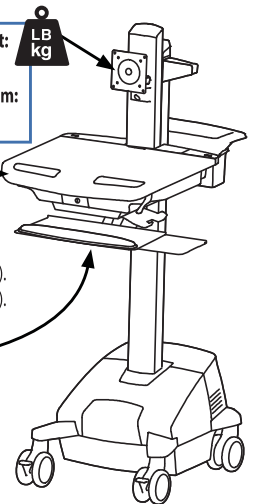
0 lbs (0 kg) Open Worksurface
<5 lbs (2.3 kg) Closed Worksurface*
<13 lbs (5.9 kg) CPU Compartment**

*Weight Capacity for carts with LiFe Power System is <3 lbs (1.4kg).

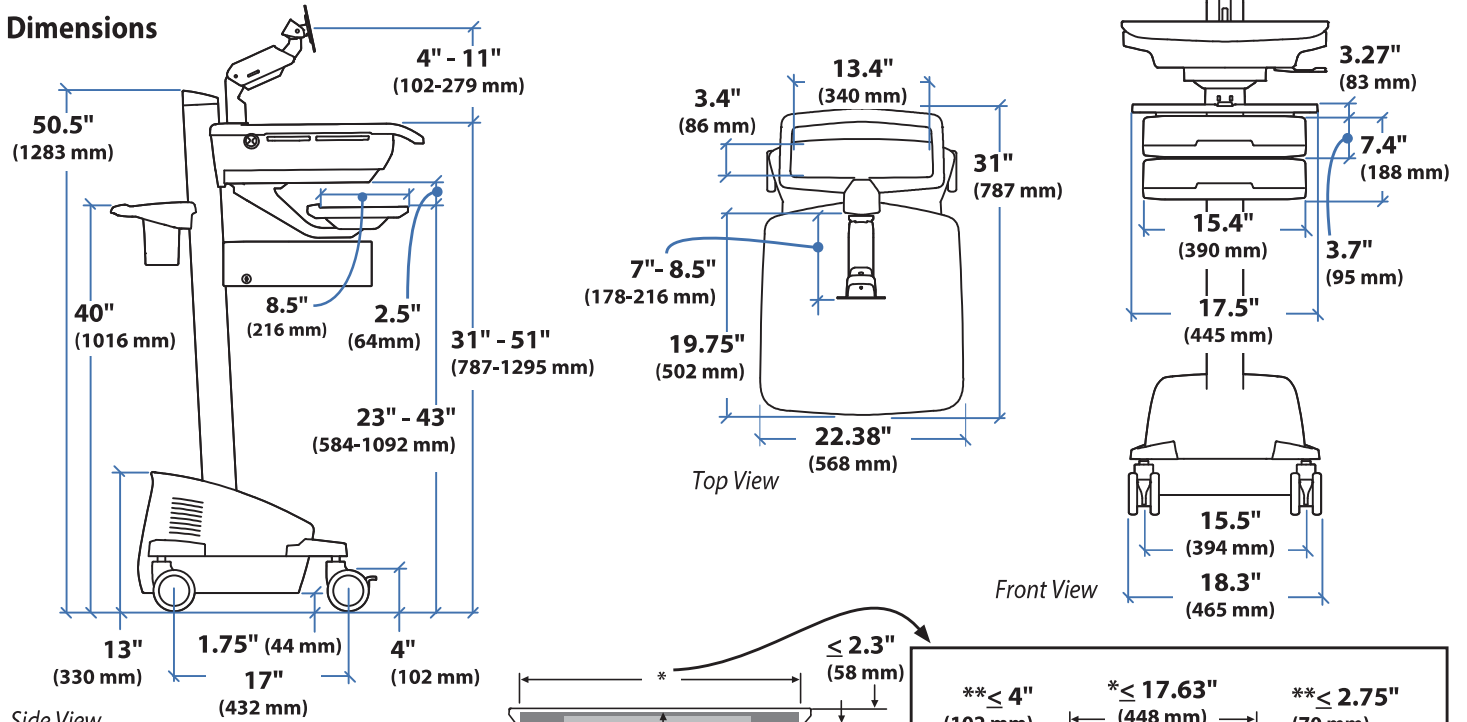
**Combined LCD and CPU Compartment weight: <27 lbs (12.2 kg).

LB kg
<3 lbs (1.4 kg)

If the combined LCD and CPU weight is greater than 27 lbs (12.2 kg) then the CPU must be mounted to the rear of the cart using the Universal CPU Holder accessory (ordered separately).



Dimensions

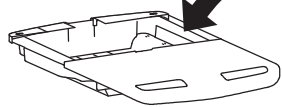


Side View

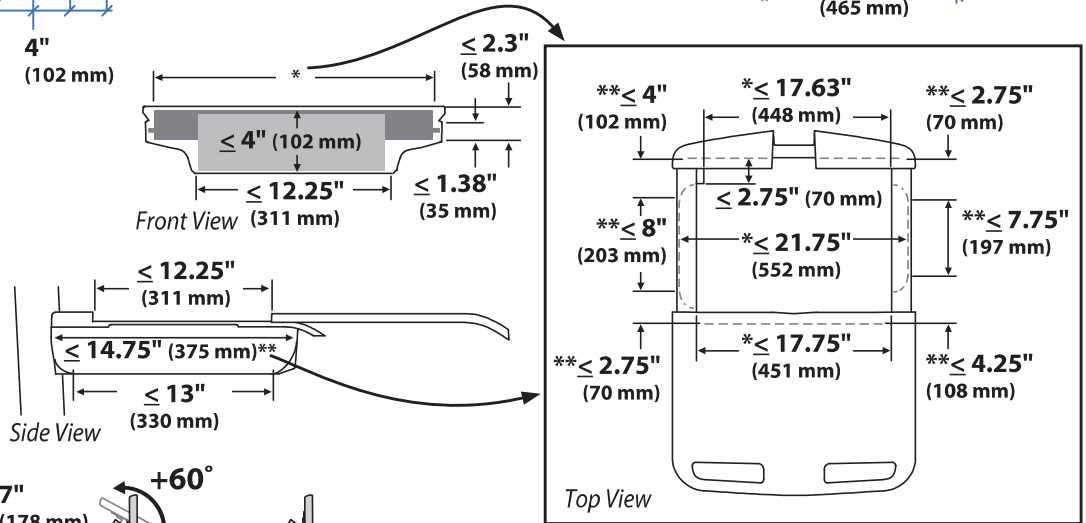
Top View

Front View

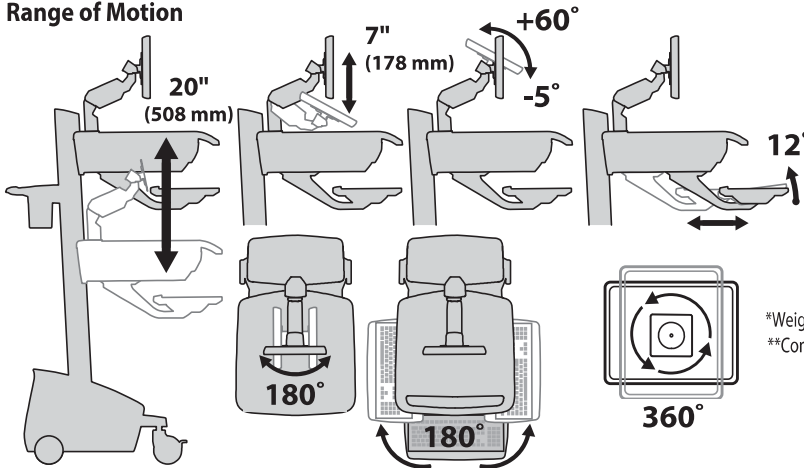
CPU Compartment



When figuring dimensions, include mounted accessories, protruding cables and port replicators or docking stations.



Range of Motion



Weight Capacity: <14 lbs (6.4 kg)

Carts with LiFe Power System:
5-11 lbs (2.3-5 kg)

- 0 lbs (0 kg) Open Worksurface
- <5 lbs (2.3 kg) Closed Worksurface*
- <13 lbs (5.9 kg) CPU Compartment**

*Weight Capacity for carts with LiFe Power System is <3 lbs (1.4kg).

**Combined LCD and CPU Compartment weight: <27 lbs (12.2 kg).

<3 lbs (1.4 kg)

If the combined LCD and CPU weight is greater than 27 lbs (12.2 kg) then the CPU must be mounted to the rear of the cart using the Universal CPU Holder accessory (ordered separately).

© 2014 Ergotron, Inc. rev. 04/25/2019 DIM-SV4X-Drawers Content is subject to change without notification

Americas Sales and
Corporate Headquarter

EMEA Sales

APAC Sales

Worldwide OEM Sales

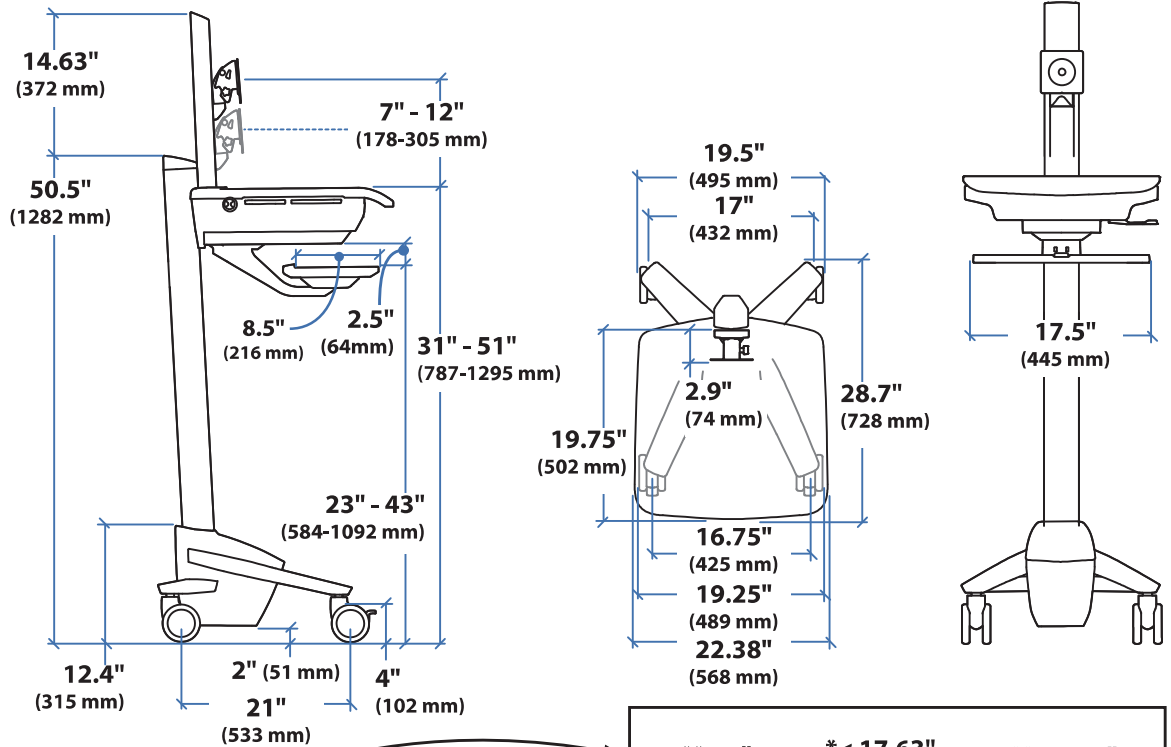
St. Paul, MN USA
(800) 888-8458
+1-651-681-7600
www.ergotron.com
sales@ergotron.com

Amersfoort, The Netherlands
+31 33 45 45 600
www.ergotron.com
info.eu@ergotron.com

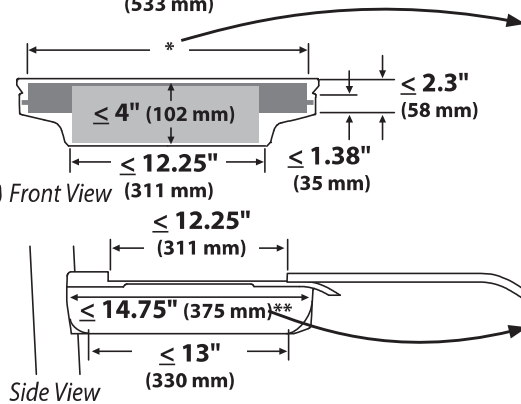
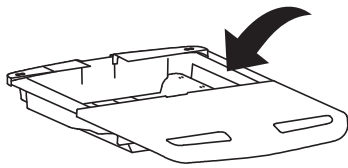
Tokyo, Japan
www.ergotron.com
apaccustomerservice@ergotron.com

www.ergotron.com
info.oem@ergotron.com

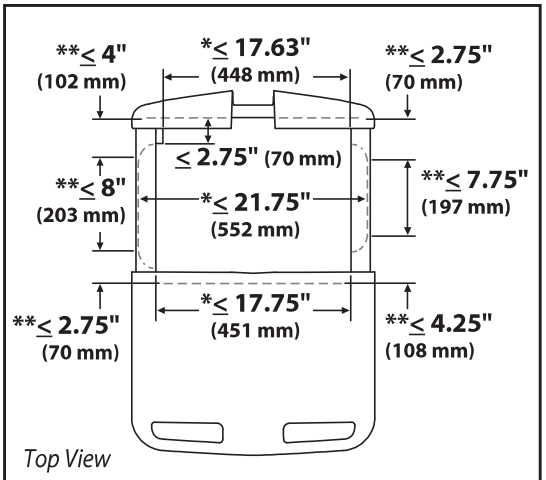
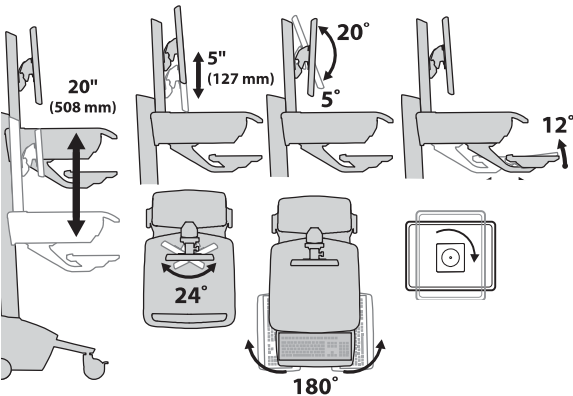
Dimensions



CPU Compartment



When figuring dimensions, include mounted accessories, protruding cables and port replicators or docking stations.



Weight Capacity

With Independent LCD Lift:	Without Independent LCD Lift:
<14 lbs (6.4 kg)	20 lbs (9 kg)

0 lbs (0 kg) Open Worksurface
 <5 lbs (2.3 kg) Closed Worksurface
 <13 lbs (5.9 kg) CPU Compartment

Combined LCD and CPU Compartment weight: <27 lbs (12.2 kg).
 If the combined LCD and CPU weight is greater than 27 lbs (12.2 kg) then the CPU must be mounted to the rear of the cart using the Universal CPU Holder accessory (ordered separately).

© 2014 Ergotron, Inc. rev. 04/25/2019 DIM-SV4X-Drawers Content is subject to change without notification

Americas Sales and Corporate Headquarter

St. Paul, MN USA
 (800) 888-8458
 +1-651-681-7600
 www.ergotron.com
 ales@ergotron.com

EMEA Sales

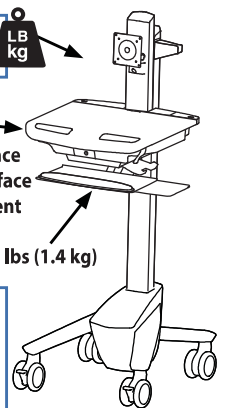
Amersfoort, The Netherlands
 +31 33 45 45 600
 www.ergotron.com
 info.eu@ergotron.com

APAC Sales

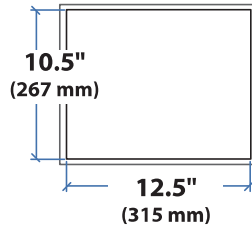
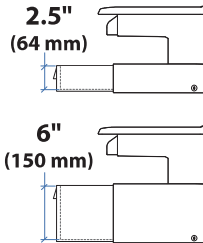
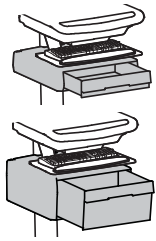
Tokyo, Japan
 www.ergotron.com
 apaccustomerservice@ergotron.com

Worldwide OEM Sales

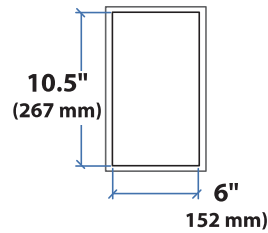
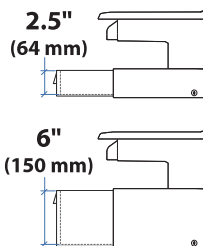
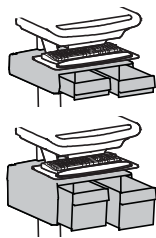
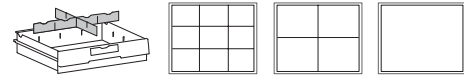
www.ergotron.com
 info.oem@ergotron.com



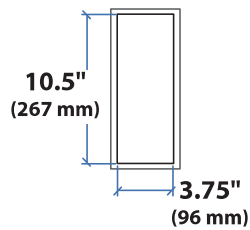
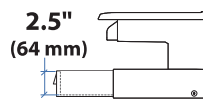
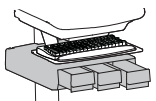
Dimensions



LB kg Total weight capacity per drawer.
≤ 2 lbs (1 kg)



LB kg Total weight capacity per drawer.
≤ 1 lbs (0.5 kg)



LB kg Total weight capacity per drawer.
≤ 0.25 lbs (0.1 kg)

