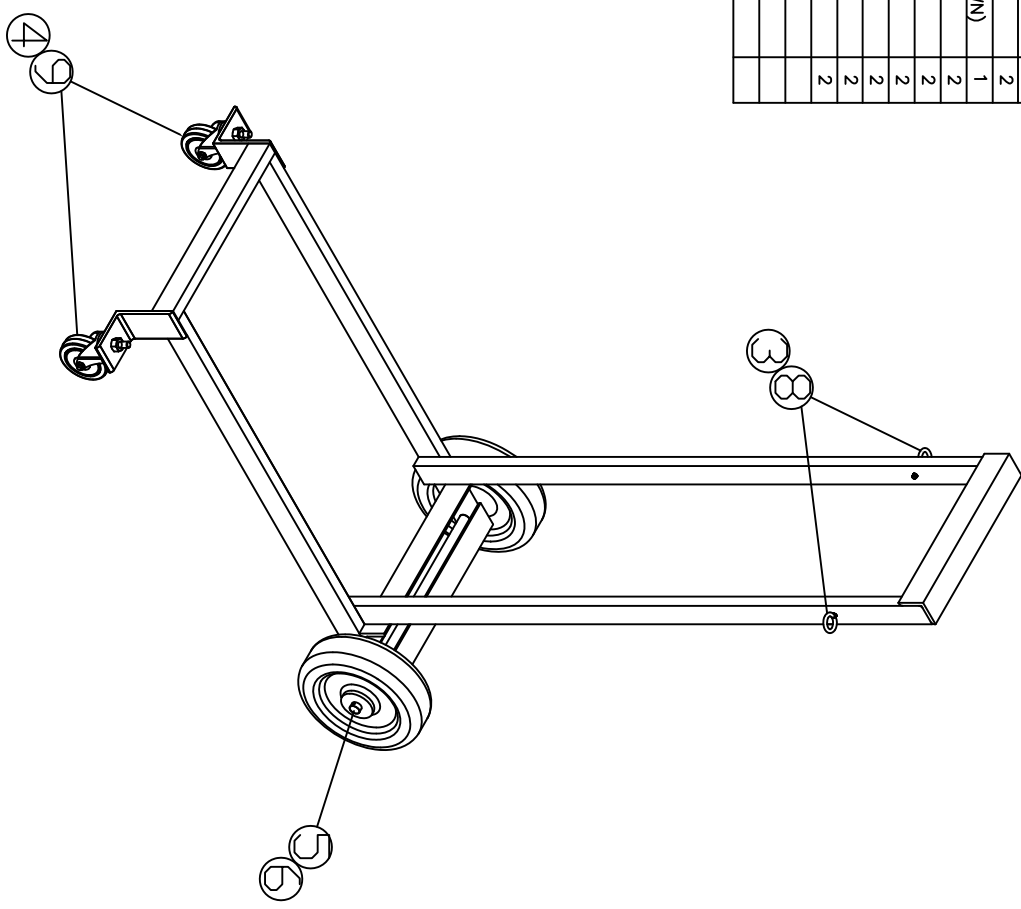


RESTRICTED THIS PRINT IS PROPRIETARY AND CONFIDENTIAL AND MUST NOT BE COPIED OR ITS CONTENTS REVEALED TO UNAUTHORIZED PERSONNEL WITHOUT WRITTEN CONSENT OF ERICSON MANUFACTURING CO. IT IS TO BE RETURNED TO ERICSON MFG. UPON REQUEST.

ITEM	PART NUMBER	DESCRIPTION	QTY.
1	B6030040	CABLE PROTECTOR CART WELDED FRAME	1
2			
3	C3020001	NUT, 1/4-20	2
4	C3040073	NUT, 3/8-16	2
5	C7020028	WHEEL RETAINER	2
6	C7020035	WHEEL, 8 X 2-1/2	2
7	C9030965	ELASTIC TIE DOWN STRAP (NOT SHOWN)	1
8	C3040134	EYEBOLT, 14-20	2
9	C7020055	CASTER, 3" SWIVEL	2
10	C3040074	3/8" 18-8 FLT WASHER	2
11	C3040075	3/8" 18-8 LK WASHER	2
12	C3010789	5/8" FLT WASHER	2
13	C3010328	FENDER WASHER 1-1/2"OD 3/8" ID	2



REV	REVISION DESCRIPTION	DATE	BY	CHKD	ECN NO.	TOLERANCES	DWG. APPROVALS	DATE	REV.
A	INITIAL RELEASE					FRAC. ± 1/64"			
B	REVISED BLD STRUCTURE	3/7/17	RWH		4281	.X ± .015			
C	REVISED FRAME DESIGN	10/10/18	RWH		4455	.XX ± .010 XXX ± .005 ANGLES ± 1° UNLESS OTHERWISE SPECIFIED DO NOT SCALE B SIZE			
							DRAWN RWH	8/19/14	
							CHK'D		

Since 1918
ERICSON
 ERICSON MANUFACTURING COMPANY
 1-800-ERICSON • www.ericson.com

DWG. TITLE			
CABLE PROTECTOR CART			
FINAL ASSEMBLY			
SCALE	PROJ NO.	SHEET	1 OF 1
1=1	--/---		
DWG. UNIT NO.			REV
1 st -CART			C