

esi[®]

Complete Table & Worksurface Guide



Table of Contents

- Table base overview 5
- All-Flex 2-leg. 6
- All-Flex 3-leg. 9
- Victory™ LX 2-leg. 13
- Victory LX 3-leg. 16
- Triumph™ LX. 20
- Trada™ 23
- Premium 2-leg. 26
- Premium 3-leg 29
- Weight Adjustable Espree™ 31
- Q Crank 34
- Crank 37
- Worksurfaces overview. 40
- TFL quick ship worksurfaces 42
- TFL standard worksurfaces 42
- HPL standard worksurfaces 43
- HPL premium worksurfaces 44
- Laminate options 45
- Motific™ 47
- Terms and Conditions 50

Please visit esiergo.com for current list pricing on all products included in this ordering guide.

Table bases & complete tables

Table base overview

How to order:

Most tables have multiple part numbers to accommodate varying worksurface dimensions.

Finishes come in three colors for most bases
Silver (-SLV), Black (-BLK) or White (-WHT)

Use the table base code with the three letter color code to complete your part number.

Part number breakdown:

1. Pick your table base size

2. Pick your table base finish

This product number represents:

TriumphLX

Silver finish

Accommodates worksurfaces 36"w x 24"d, 42"w x 24"d or 48"w x 24"d

General Information

Table bases

Table bases can be sold separately or in combination with a worksurface.

Warranty: 15 yr. (*structural*)/7 yr. (*mechanical*)

Sizing

ESI table bases are made to exact dimensions.

Lead times

The **LT** product marker indicates that the lead time may vary depending on quantities, orders and their availability. Please contact our Customer Service Department for on-hand inventory when placing orders for products marked with LT.

All-Flex[®] 2-leg



Product specs

- Electric height adjustment
- 265 lb. base lifting capacity
- 1.5"/sec adjustment speed
- One part number for all 2-leg sizes
- 26.0" height adjustment range
 - 23.3"–49.3" (low/high) (*excluding worksurface*)
- Three stage adjustable legs
- Provides adjustable cross channels, top supports, and feet making it one of the most adjustable table bases on the market
- C-leg
- Foot is adjustable to 22.0" or 28.0" (*patented design*)
- Leg columns fold out for quick assembly
- Adjustable width frame accommodates worksurfaces 36.0"–72.0" wide
- Adjustable depth top supports expand to accommodate worksurfaces 24.0"–36.0" deep
- Notched cross channel offers ample space for keyboard tray glide tracks
- 7'2" power cord

- Digital keypad with four memory settings
- Anti-collision safety feature
- Soft start and stop
- Crossbar includes guide markings to assist in setting width
- Integrated control unit shelf
- Integrated storage for foot extension plate when not in use
- Integrated cable management
- Steel construction
- Low standby power consumption
- Table base is UL962 listed
- Two motors
- ADA compliant
- Locking casters are available
- Meets or exceeds BIFMA x5.5 guidelines
- Complete tables available (*base and top*)
- Warranty: 15 yr. (*structural*)/7 yr. (*mechanical*)



Available base finishes

- Silver -SLV Black -BLK White -WHT

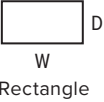
Caster kit

- Set of four caster wheels for table base
- Increases height by 2.0"
- Locking casters for security

MODEL # CASTERKIT-FLEX2

Table bases

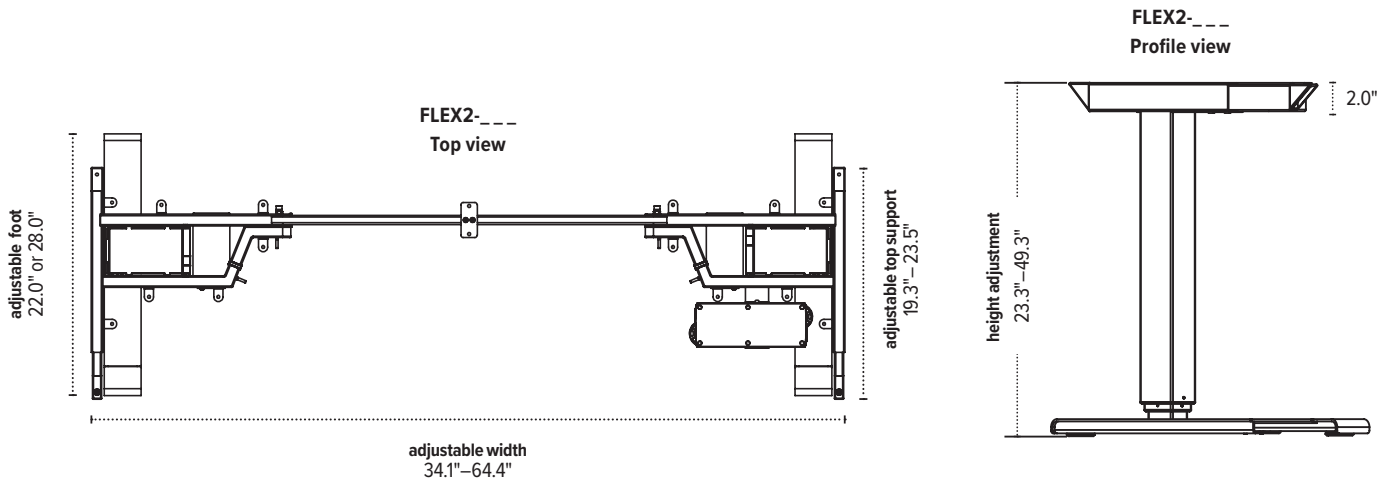
Available worksurfaces

Table base model #	Worksurface shape	Worksurface dimension	TFL standard		HPL standard	HPL premium
			Quick ship	Standard ship	Standard ship	Standard ship
FLEX2-____	 W D Rectangle	36"w x 24"d	—	●	●	●
		42"w x 24"d	—	●	●	●
		48"w x 24"d	●	●	●	●
		60"w x 24"d	—	●	●	●
		72"w x 24"d	—	●	●	●
		36"w x 30"d	—	●	●	●
		42"w x 30"d	—	●	●	●
		48"w x 30"d	—	●	●	●
		60"w x 30"d	●	●	●	●
		72"w x 30"d	—	●	●	●

Worksurface program

Multiple worksurface shapes and laminates are available. See pages 46–51 for worksurface details including laminate colors. TFL quick ship worksurfaces are shipped out in 48 hours, TFL standard and HPL standard/premium worksurfaces ship within three weeks. Lead time may vary depending on quantities ordered and their availability.

Table bases and worksurfaces can be purchased independently or as a combination.
 ESI worksurfaces are made to exact dimensions. If nominal sizing is needed, please specify when ordering.



The base dimensions as shown are actual.

All-Flex[®] 2-leg complete table

Complete quick ship table model # breakdown:

2F__-R4824-QS-T__
| | | | | | | | |
a b c d e f g h i

- a: number of legs
- b: type of table base
- c: finish of base
- d: worksurface shape
- e: worksurface width
- f: worksurface depth
- g: quick ship indicator
- h: laminate material
- i: laminate color

48.0" x 24.0" quick ship complete table

- All-Flex 2-leg table base with a 48.0"w x 24.0"d rectangle TFL worksurface

MODEL # 2F__-R4824-QS-T__

60.0" x 30.0" quick ship complete table

- All-Flex 2-leg table base with a 60.0"w x 30.0"d rectangle TFL worksurface

MODEL # 2F__-R6030-QS-T__

■ base finish notation

■ laminate color notation

Available base finishes

Silver -S

Black -B

White -W

Available TFL quick ship laminates

Beigewood -BG

Phantom Charcoal -PC

Shadow Oak -SO

Designer White -DW

Grey -GR

Dove Grey -DV

All-Flex 2-leg table

Quick ship complete table options include: silver, black, or white table bases; 48.0"w x 24.0"d or 60.0"w x 30.0"d rectangle worksurfaces; all six TFL laminates. For all other combinations, please call our Customer Service Department for the estimated lead time and cost.

Multiple worksurface shapes and laminates are available. See pages 46–51 for worksurface details including laminate colors.

All-Flex® 3-leg



Product specs

- Electric height adjustment
- 330 lb. base lifting capacity
- 1.5"/sec adjustment speed
- One part number for all 3-leg sizes
- 26.0" height adjustment range
 - 23.3"–49.3" (low/high) (*excluding worksurface*)
- Three-stage adjustable legs
- C-leg
- Provides adjustable cross channels, top supports, and feet making it one of the most adjustable table bases on the market
- Foot is adjustable to 22.0" or 28.0" (*patented design*)
- Adjustable width frame accommodates worksurfaces 48.0"–84.0" wide
- Adjustable depth top supports expand to accommodate worksurfaces 24.0"–36.0" deep
- Notched cross channel offers ample space for keyboard tray glide tracks
- 7'2" power cord
- Digital keypad with four memory settings
- Anti-collision safety feature
- Soft start and stop
- Crossbar includes guide markings to assist in setting width
- Leg columns fold out for easy assembly
- Integrated control unit shelf
- Integrated storage for foot extension plate when not in use
- Integrated cable management
- Steel construction
- Low standby power consumption
- Table base is UL962 listed
- Three motors
- ADA compliant
- Locking casters are available
- Meets or exceeds BIFMA x5.5 guidelines
- Complete tables available (*base and top*)
- Warranty: 15 yr. (*structural*)/7 yr. (*mechanical*)



Available base finishes

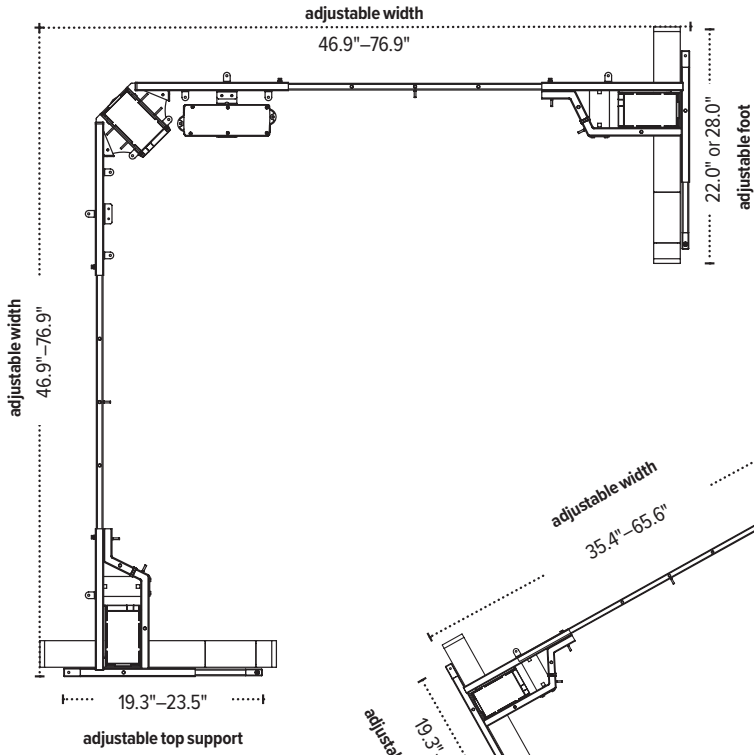
- Silver -SLV Black -BLK White -WHT

Caster kit

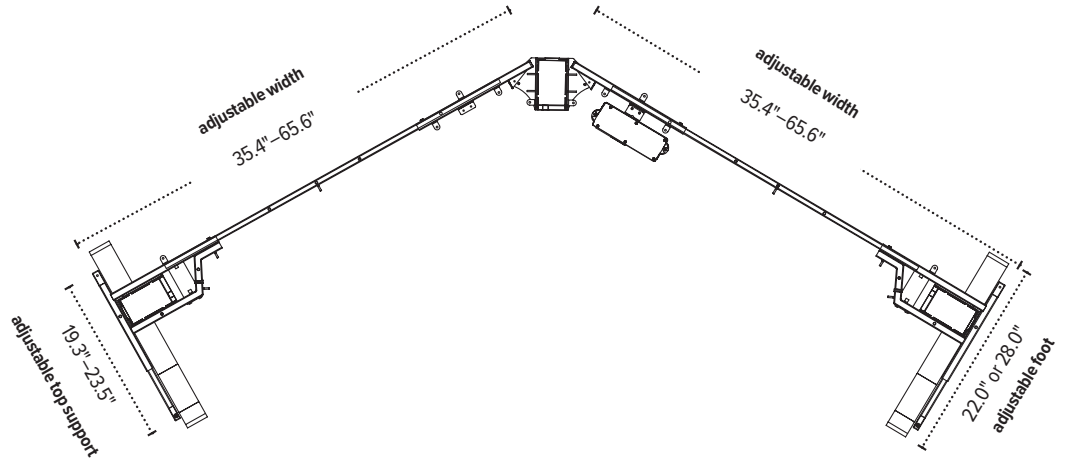
- Set of five caster wheels for table base
- Increases height by 2.0"
- Locking casters for security

MODEL # CASTERKIT-FLEX3

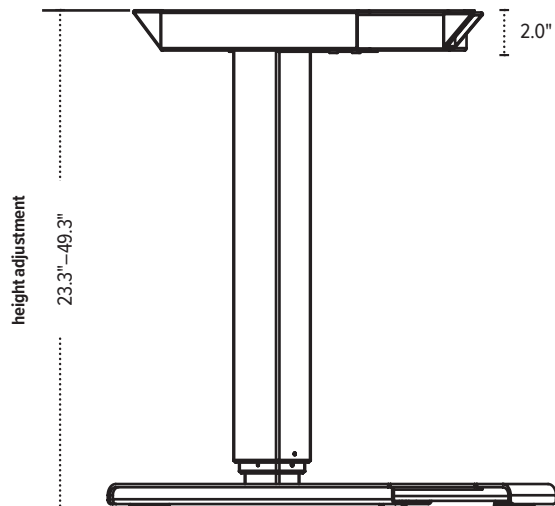
FLEX3-___
90° configuration



FLEX3-___
120° configuration



FLEX3-___
Side view



The base dimensions as shown are actual.

Table bases		Available worksurfaces				
Table base model #	Worksurface shape	Worksurface dimension	TFL standard		HPL standard	HPL premium
			Quick ship	Standard ship	Standard ship	Standard ship
FLEX3- ____		60"wl x 60"wr x 24"d	–	●	●	●
		72"wl x 72"wr x 24"d	–	●	●	●
		60"wl x 60"wr x 30"d	–	●	●	●
		72"wl x 72"wr x 30"d	–	●	●	●
FLEX3- ____		48"w x 24"d	–	●	●	●
		60"w x 24"d	–	–	●	●
		72"w x 24"d	–	–	●	●
		48"w x 30"d	–	–	●	●
		60"w x 30"d	–	–	●	●
		72"w x 30"d	–	–	●	●
		FLEX3- ____		60"wl x 48"wr x 24"d	–	●
72"wl x 48"wr x 24"d	–			●	●	●
72"wl x 60"wr x 24"d	–			●	●	●
84"wl x 48"wr x 24"d	–			●	●	●
84"wl x 60"wr x 24"d	–			–	●	●
60"wl x 48"wr x 30"d	–			●	●	●
72"wl x 48"wr x 30"d	–			●	●	●
72"wl x 60"wr x 30"d	–			●	●	●
84"wl x 48"wr x 30"d	–			–	●	●
84"wl x 60"wr x 30"d	–	–	●	●		
FLEX3- ____		48"wl x 60"wr x 24"d	–	●	●	●
		48"wl x 72"wr x 24"d	–	●	●	●
		60"wl x 72"wr x 24"d	–	●	●	●
		48"wl x 84"wr x 24"d	–	●	●	●
		60"wl x 84"wr x 24"d	–	–	●	●
		48"wl x 60"wr x 30"d	–	●	●	●
		48"wl x 72"wr x 30"d	–	●	●	●
		60"wl x 72"wr x 30"d	–	●	●	●
		48"wl x 84"wr x 30"d	–	–	●	●
60"wl x 84"wr x 30"d	–	–	●	●		

Worksurface program

Multiple worksurface shapes and laminates are available. See pages 46–51 for worksurface details including laminate colors. TFL quick ship worksurfaces are shipped out in 48 hours, TFL standard and HPL standard/premium worksurfaces ship within three weeks. Lead time may vary depending on quantities ordered and their availability.

*Table bases and worksurfaces can be purchased independently or as a combination.
ESI worksurfaces are made to exact dimensions. If nominal sizing is needed, please specify when ordering.*



Product shown: Centro, Edge, All-Flex 3-leg, FlexCharge4, Railway

Victory™ LX 2-leg



Product specs

- Electric height adjustment
- 250 lb. base lifting capacity
- 1.4"/sec adjustment speed
- 26.0" height adjustment range
 - 21.5"–47.5" (low/high) (excluding worksurface)
- Three stage adjustable legs
- C-leg
- Frame and column connect and lock for quick and easy assembly
- Adjustable width frame accommodates worksurfaces 36.0"–72.0"
- Soft start and stop
- Gyro sensor anti-collision
- Locking casters available
- Two motors
- ADA compliant
- 8'9" power cord
- Table base is UL962 listed
- Meets or exceeds BIFMA x5.5, GI and CSA CAN/CGSB44.227
- Works with peds or storage with 18.5" max. height
- Low standby power consumption
- Steel frame and foot construction
- Digital keypad with three memory settings
- Keypad can slide under worksurface to store out of the way
- Complete tables available (base and top)
- Warranty: 15 yrs. (structural)/7 yrs. (mechanical)

Available base finishes

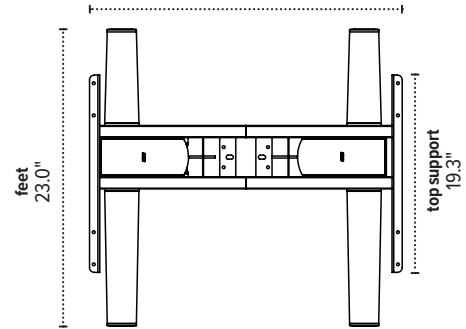
- Silver -SLV
 Black -BLK
 White -WHT

Caster kit

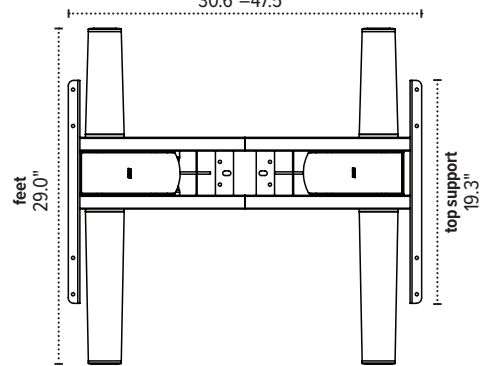
- Set of four caster wheels for table base
- Increases height by 2.0"
- Locking casters for security

MODEL # CASTERKIT-LX-2LEG

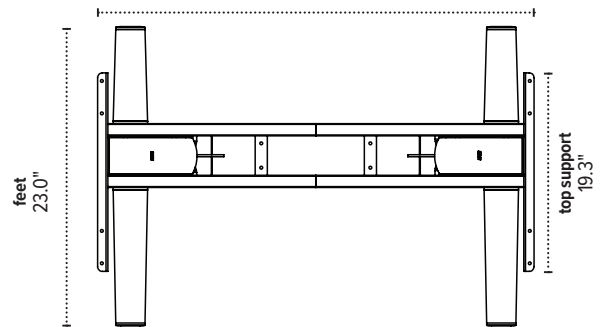
2VT-LX-C36-24
adjustable width
30.6"–47.5"



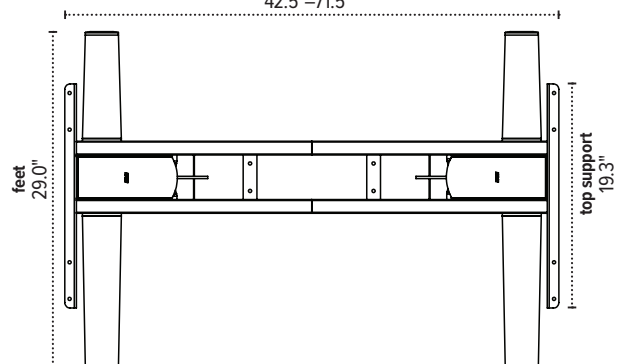
2VT-LX-C36-30
adjustable width
30.6"–47.5"




2VT-LX-C48-24
adjustable width
42.5"–71.5"



2VT-LX-C48-30
adjustable width
42.5"–71.5"



The base dimensions as shown are actual.

Table bases		Available worksurfaces				
Table base model #	Worksurface shape	Worksurface dimension	TFL standard		HPL standard	HPL premium
			Quick ship	Standard ship	Standard ship	Standard ship
2VT-LX-C36-24-___	 W D Rectangle	36"w x 24"d	–	●	●	●
		42"w x 24"d	–	●	●	●
		48"w x 24"d	●	●	●	●
2VT-LX-C48-24-___		60"w x 24"d	–	●	●	●
		72"w x 24"d	–	●	●	●
2VT-LX-C36-30-___		36"w x 30"d	–	●	●	●
		42"w x 30"d	–	●	●	●
		48"w x 30"d	–	●	●	●
2VT-LX-C48-30-___		60"w x 30"d	●	●	●	●
	72"w x 30"d	–	●	●	●	

Worksurface program

Multiple worksurface shapes and laminates are available. See pages 46–51 for worksurface details including laminate colors. TFL quick ship worksurfaces are shipped out in 48 hours, TFL standard and HPL standard/premium worksurfaces ship within three weeks. Lead time may vary depending on quantities ordered and their availability.

*Table bases and worksurfaces can be purchased independently or as a combination.
ESI worksurfaces are made to exact dimensions. If nominal sizing is needed, please specify when ordering.*

Victory™ LX 2-leg complete table

Complete quick ship table model # breakdown:

2VT__R4824-QS-T__
| | | | | | | | |
a b c d e f g h i

- a: number of legs
- b: type of table base
- c: finish of base
- d: worksurface shape
- e: worksurface width
- f: worksurface depth
- g: quick ship indicator
- h: laminate material
- i: laminate color

48.0" x 24.0" quick ship complete table

- VictoryLX 2-leg table base with a 48.0"w x 24.0"d rectangle TFL worksurface

MODEL # 2VT__R4824-QS-T__

60.0" x 30.0" quick ship complete table

- VictoryLX 2-leg table base with a 60.0"w x 30.0"d rectangle TFL worksurface

MODEL # 2VT__R6030-QS-T__

■ base finish notation

■ laminate color notation

Available base finishes

○ Silver -S

● Black -B

○ White -W

Available TFL quick ship laminates

○ Beigewood -BG

● Phantom Charcoal -PC

● Shadow Oak -SO

○ Designer White -DW

○ Grey -GR

○ Dove Grey -DV

VictoryLX 2-leg table

Quick ship complete table options include: silver, black, or white table bases; 48.0"w x 24.0"d or 60.0"w x 30.0"d rectangle worksurfaces; all six TFL laminates. Quick ship worksurfaces will be pre-drilled to accommodate the VictoryLX 2-leg table base. For all other combinations, please call our Customer Service Department for the estimated lead time and cost.

Multiple worksurface shapes and laminates are available. See pages 46–51 for worksurface details including laminate colors.

Victory™ LX 3-leg



Product specs

- Electric height adjustment
- 360 lb. base lifting capacity
- 1.4"/sec adjustment speed
- 26.0" height adjustment range
 - 21.5"–47.5" (low/high) (excluding worksurface)
- Three stage adjustable legs
- C-leg
- Adjustable width frame accommodates worksurfaces 48.0"–84.0"
- Three motors
- Soft start and stop
- Anti-collision safety feature
- Locking casters available
- Low standby power consumption
- ADA compliant
- 8'9" power cord
- Table base is UL962 listed
- Meets or exceeds BIFMA x5.5, GI and CSA CAN/CGSB44.227
- Works with peds or storage with 20.0" max. height
- Steel frame and foot construction
- Digital keypad with three memory settings
- Keypad can slide under worksurface to store out of the way
- Complete tables available (base and top)
- Warranty: 15 yr. (structural)/7 yr. (mechanical)

Available base finishes

- Silver -SLV
 Black -BLK
 White -WHT

Caster kit

- Set of five caster wheels for table base
- Includes third foot for caster installation
- Increases height by 2.0"
- Locking casters for security

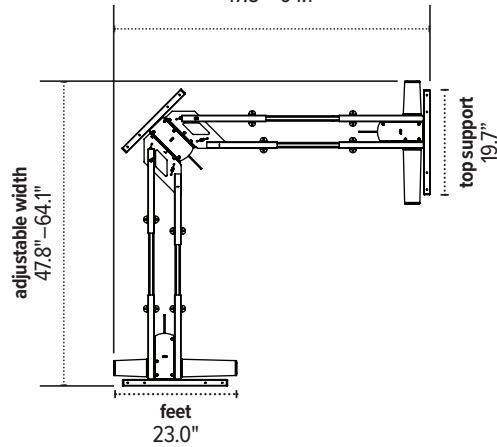
MODEL # CASTERKIT-LX-3LEG-SLV

MODEL # CASTERKIT-LX-3LEG-BLK

MODEL # CASTERKIT-LX-3LEG-WHT

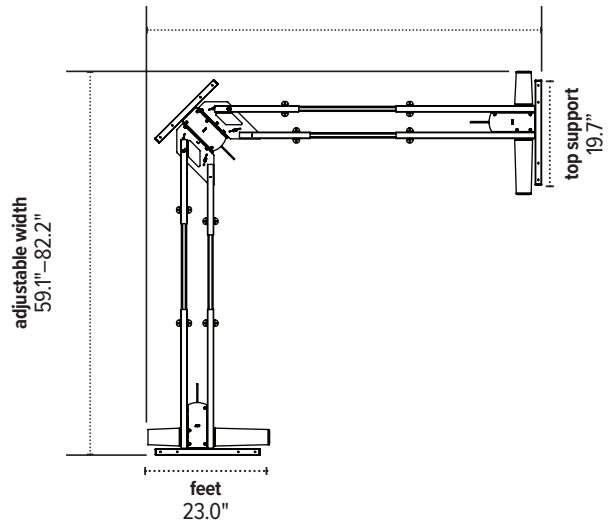
3VT-LX-C3636-24

adjustable width
47.8"–64.1"



3VT-LX-C4848-24

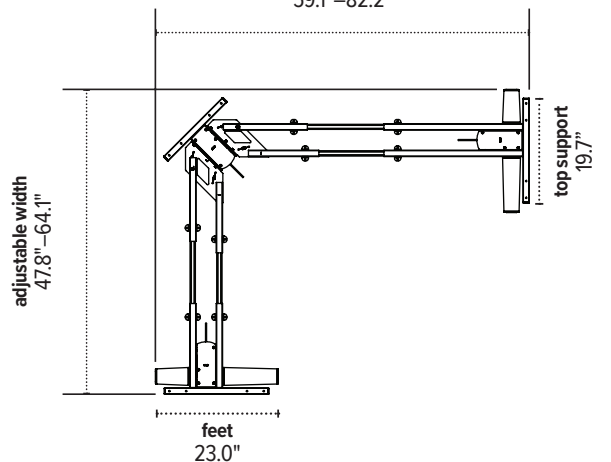
adjustable width
59.1"–82.2"



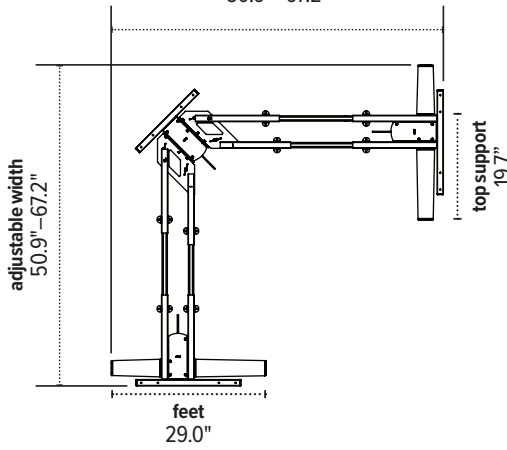
3VT-LX-C4836-24

Reversible configuration

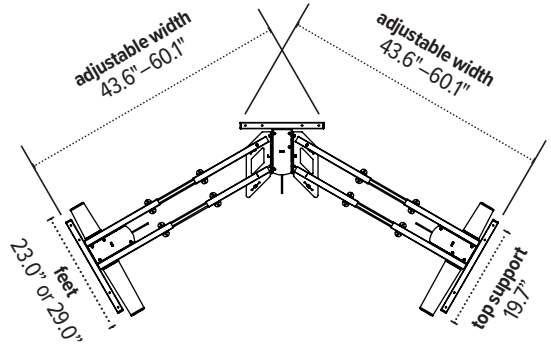
adjustable width
59.1"–82.2"



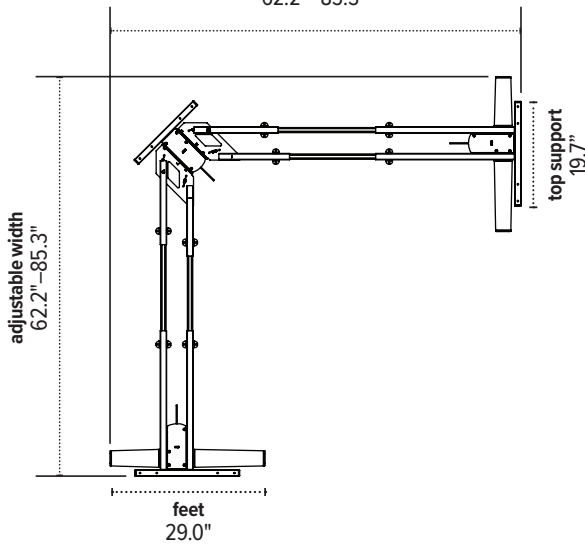
3VT-LX-C3636-30
adjustable width
50.9"–67.2"



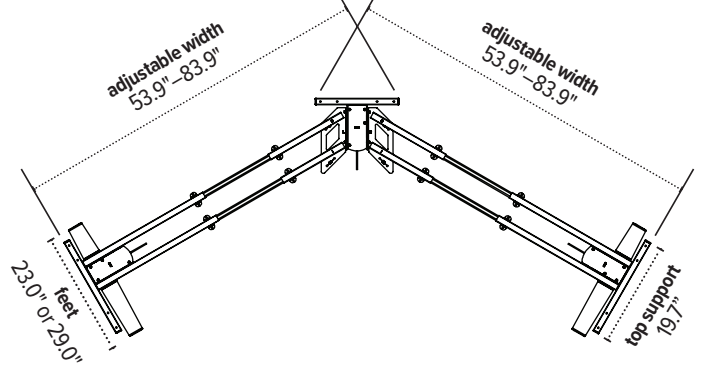
3VT-LX-C3636-24 & 3VT-LX-C3636-24
120° CONFIGURATION



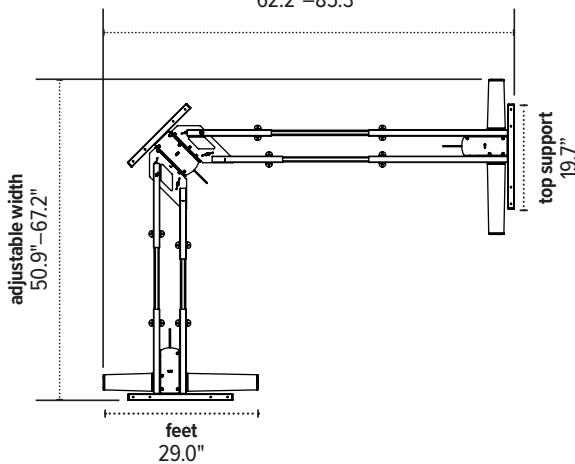
3VT-LX-C4848-30
adjustable width
62.2"–85.3"



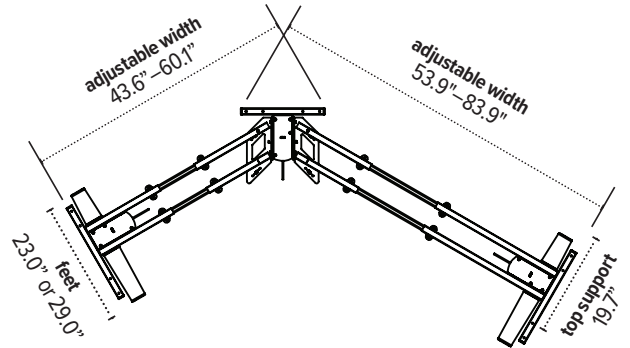
3VT-LX-C4848-24 & 3VT-LX-C4848-30
120° CONFIGURATION



3VT-LX-C4836-30
Reversible configuration
adjustable width
62.2"–85.3"



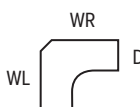
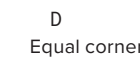
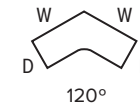
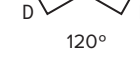
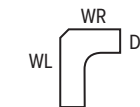
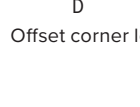
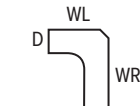
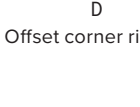
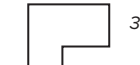
3VT-LX-C4836-24 & 3VT-LX-C4836-24
Reversible configuration(s)



The base dimensions as shown are actual.

Table bases

Available worksurfaces

Table base model #	Worksurface shape	Worksurface dimension	TFL standard		HPL standard	HPL premium
			Quick ship	Standard ship	Standard ship	Standard ship
3VT-LX-C4848-24-___		60"wl x 60"wr x 24"d	-	●	●	●
		72"wl x 72"wr x 24"d	-	●	●	●
3VT-LX-C4848-30-___	Equal corner 	60"wl x 60"wr x 30"d	-	●	●	●
		72"wl x 72"wr x 30"d	-	●	●	●
3VT-LX-C3636-24-___		48"w x 24"d	-	●	●	●
3VT-LX-C4848-24-___		60"w x 24"d	-	-	●	●
		72"w x 24"d	-	-	●	●
3VT-LX-C3636-30-___	120° 	48"w x 30"d	-	-	●	●
		60"w x 30"d	-	-	●	●
3VT-LX-C4848-30-___		72"w x 30"d	-	-	●	●
3VT-LX-C4836-24-___		60"wl x 48"wr x 24"d	-	●	●	●
		72"wl x 48"wr x 24"d	-	●	●	●
3VT-LX-C4848-24-___		72"wl x 60"wr x 24"d	-	●	●	●
		84"wl x 48"wr x 24"d	-	●	●	●
3VT-LX-C4836-30-___	Offset corner left 	84"wl x 60"wr x 24"d	-	-	●	●
		60"wl x 48"wr x 30"d	-	●	●	●
3VT-LX-C4836-30-___	Offset corner left	72"wl x 48"wr x 30"d	-	●	●	●
		72"wl x 60"wr x 30"d	-	●	●	●
3VT-LX-C4848-30-___		84"wl x 48"wr x 30"d	-	-	●	●
		84"wl x 60"wr x 30"d	-	-	●	●
3VT-LX-C4836-24-___		48"wl x 60"wr x 24"d	-	●	●	●
		48"wl x 72"wr x 24"d	-	●	●	●
3VT-LX-C4848-24-___		60"wl x 72"wr x 24"d	-	●	●	●
		48"wl x 84"wr x 24"d	-	●	●	●
3VT-LX-C4836-30-___	Offset corner right 	60"wl x 84"wr x 24"d	-	-	●	●
		48"wl x 60"wr x 30"d	-	●	●	●
3VT-LX-C4836-30-___	Offset corner right	48"wl x 72"wr x 30"d	-	●	●	●
		48"wl x 84"wr x 30"d	-	●	●	●
3VT-LX-C4848-30-___		60"wl x 72"wr x 30"d	-	-	●	●
		60"wl x 84"wr x 30"d	-	-	●	●
3VT-LX-C3636-2430-___		30.0"/24.0"				
3VT-LX-C4848-2430-___		24.0"/30.0"				
3VT-LX-C4836-2430-___		Reversible configurations				

Please contact our Customer Service Department to specify the dimensions and laminates for this style of worksurface

Worksurface program

Multiple worksurface shapes and laminates are available. See pages 46–51 for worksurface details including laminate colors. TFL quick ship worksurfaces are shipped out in 48 hours, TFL standard and HPL standard/premium worksurfaces ship within three weeks. Lead time may vary depending on quantities ordered and their availability.

Table bases and worksurfaces can be purchased independently or as a combination. ESI worksurfaces are made to exact dimensions. If nominal sizing is needed, please specify when ordering.



Product shown: Evolve2-FMS, Evolve3-FMS, Centro, VictoryLX 3-leg, Designer White worksurfaces, Railway, FlexCharge4, Solution 6

Triumph™ LX 2-leg



Product specs

- Electric height adjustment
- 250lb. base lifting capacity
- 1.4"/sec. adjustment speed
- 17.0" height adjustment range
 - 26.5"–43.5"(low/high) (excluding worksurface)
- Two stage adjustable legs
- C-leg
- Frame and column connect and lock for quick and easy assembly
- Adjustable width frame accommodates worksurfaces 36.0"–72.0"
- Two motors
- Digital keypad with three memory settings
- Soft start and stop
- Gyro sensor anti-collision
- Locking casters are available
- ADA compliant
- 8'9" power cord
- Steel frame and foot construction
- Works with peds or storage with 23.5" max. height
- Low standby power consumption
- Meets or exceeds BIFMA x5.5 guidelines
- Keypad can slide under worksurface to store out of the way
- Complete tables available (base and top)
- Warranty: 15 yr. (structural)/7 yr. (mechanical)

Available base finishes

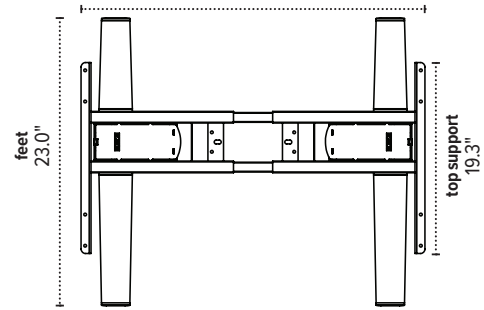
- Silver -SLV
 Black -BLK
 White -WHT

Caster kit

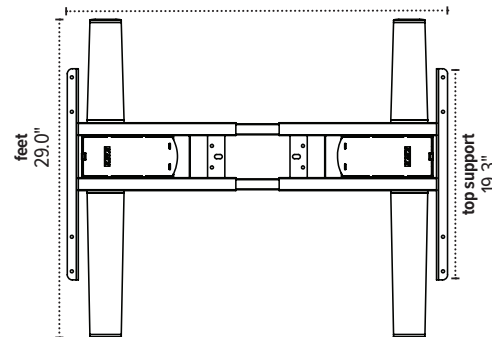
- Set of four caster wheels for table base
- Increases height by 2.0"
- Locking casters for security

MODEL # CASTERKIT-LX-2LEG

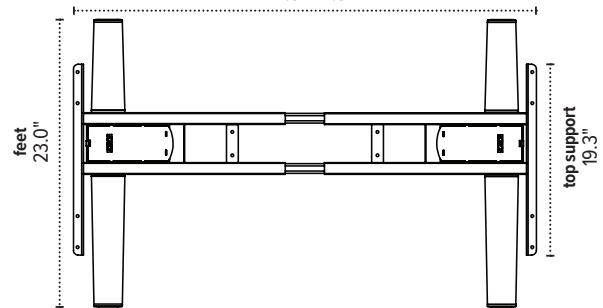
2T-LX-C36-24
adjustable width
30.6"–47.5"



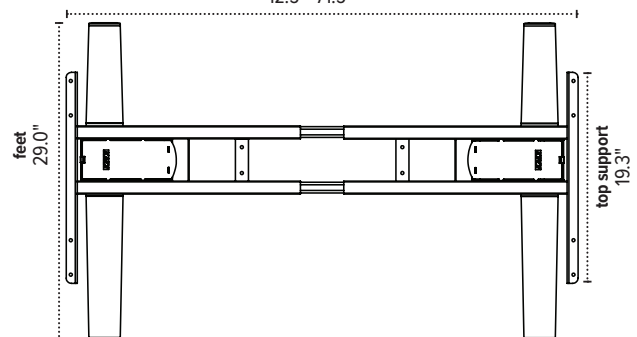
2T-LX-C36-30
adjustable width
30.6"–47.5"



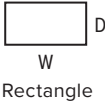
2T-LX-C48-24
adjustable width
42.5"–71.5"



2T-LX-C48-30
adjustable width
42.5"–71.5"



The base dimensions as shown are actual.

Table bases		Available worksurfaces				
Table base model #	Worksurface shape	Worksurface dimension	TFL standard		HPL standard	HPL premium
			Quick ship	Standard ship	Standard ship	Standard ship
2T-LX-C36-24-___	 Rectangle	36"w x 24"d	–	●	●	●
		42"w x 24"d	–	●	●	●
		48"w x 24"d	●	●	●	●
2T-LX-C48-24-___		60"w x 24"d	–	●	●	●
		72"w x 24"d	–	●	●	●
2T-LX-C36-30-___		36"w x 30"d	–	●	●	●
	42"w x 30"d	–	●	●	●	
	48"w x 30"d	–	●	●	●	
2T-LX-C48-30-___	60"w x 30"d	●	●	●	●	
	72"w x 30"d	–	●	●	●	

Worksurface program

Multiple worksurface shapes and laminates are available. See pages 46–51 for worksurface details including laminate colors. TFL quick ship worksurfaces are shipped out in 48 hours, TFL standard and HPL standard/premium worksurfaces ship within three weeks. Lead time may vary depending on quantities ordered and their availability.

*Table bases and worksurfaces can be purchased independently or as a combination.
 ESI worksurfaces are made to exact dimensions. If nominal sizing is needed, please specify when ordering.*

Triumph™ LX complete table

Complete quick ship table model # breakdown:

2T__R4824-QS-T__
| | | | | | | | | |
a b c d e f g h i

- a: number of legs
- b: type of table base
- c: finish of base
- d: worksurface shape
- e: worksurface width
- f: worksurface depth
- g: quick ship indicator
- h: laminate material
- i: laminate color

48.0" x 24.0" quick ship complete table

- TriumphLX 2-leg table base with a 48.0"w x 24.0"d rectangle TFL worksurface

MODEL # 2T__R4824-QS-T__

60.0" x 30.0" quick ship complete table

- TriumphLX 2-leg table base with a 60.0"w x 30.0"d rectangle TFL worksurface

MODEL # 2T__R6030-QS-T__

■ base finish notation

■ laminate color notation

Available base finishes

Silver -S

Black -B

White -W

Available TFL quick ship laminates

Beigewood -BG

Phantom Charcoal -PC

Shadow Oak -SO

Designer White -DW

Grey -GR

Dove Grey -DV

TriumphLX table

Quick ship complete table options include: silver, black, or white table bases; 48.0"w x 24.0"d or 60.0"w x 30.0"d rectangle worksurfaces; all six TFL laminates. Quick ship worksurfaces will be pre-drilled to accommodate the TriumphLX table base. For all other combinations, please call our Customer Service Department for the estimated lead time and cost.

Multiple worksurface shapes and laminates are available. See pages 46–51 for worksurface details including laminate colors.

Trada™



Product specs

- Electric height adjustment
- 265 lbs. base lifting capacity
- 1.5"/sec adjustment speed
- 25.5" height adjustment range
 - 24.5"–50.0" (low/high) (excluding worksurface)
- Anti-collision
- Three stage adjustable legs
- C-leg
- Adjustable width frame accommodates worksurfaces 48.0"–72.0"
- Soft start and stop
- Locking casters available
- Two motors
- ADA compliant
- 9' power cord
- Table base is UL962 listed
- Meets or exceeds BIFMA x5.5, and CSA C22.2 #68 guidelines
- Works with peds or storage with 21.5" max. height
- Low standby power consumption
- Steel frame and foot construction
- Standard keypad with up and down buttons or digital 4-memory keypad available
- Complete tables available (base and top)
- Warranty: 15 yr. (structural)/7 yr. (mechanical)

Available base finishes

- Silver -SLV Black -BLK White -WHT

Caster kit

- Set of four caster wheels for table base
- Increases height by 2.0"
- Locking casters for security

MODEL # CASTERKIT-2TD

Digital 4 memory keypad

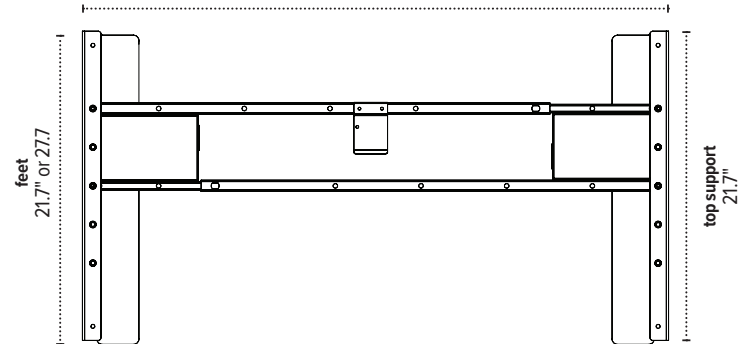
- Digital Programmable Keypad with 4 memory settings
- Includes up and down buttons, a digital read out, 4 memory presets and a programmable upper and lower limit
- Sleep Mode to decrease power consumption

MODEL # 2TDM-DGTLKPD

2TC-C48-24-___

Top view

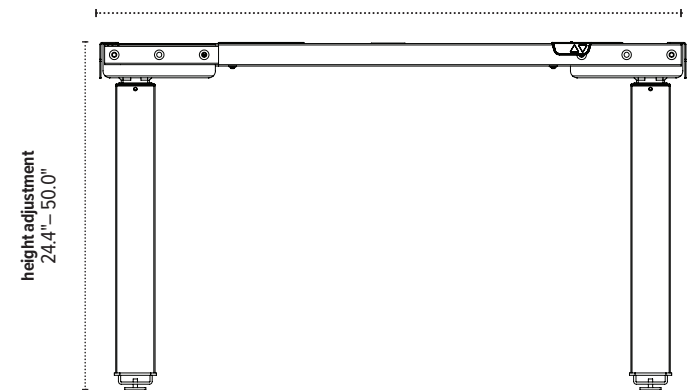
adjustable frame
41.0"–59.5"



2TC-C48-24-___

Front view

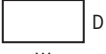
adjustable frame
41.0"–59.5"



The base dimensions as shown are actual.

Table bases

Available worksurfaces

Table base model #	Worksurface shape	Worksurface dimension	TFL standard		HPL standard	HPL premium
			Quick ship	Standard ship	Standard ship	Standard ship
Model # with 2TD includes standard keypad Model # with 2TDM includes digital keypad		48"w x 24"d	●	●	●	●
2TD-C48-24-____ 2TDM-C48-24-____		60"w x 24"d	–	●	●	●
		72"w x 24"d	–	●	●	●
	Rectangle	48"w x 30"d	–	●	●	●
2TD-C48-30-____ 2TDM-C48-30-____		60"w x 30"d	●	●	●	●
		72"w x 30"d	–	●	●	●

Worksurface program

Multiple worksurface shapes and laminates are available. See pages 46–51 for worksurface details including laminate colors. TFL quick ship worksurfaces are shipped out in 48 hours, TFL standard and HPL standard/premium worksurfaces ship within three weeks. Lead time may vary depending on quantities ordered and their availability.

*Table bases and worksurfaces can be purchased independently or as a combination.
ESI worksurfaces are made to exact dimensions. If nominal sizing is needed, please specify when ordering.*

Trada™ complete table

Complete quick ship table model # breakdown:

2TD__-R4824-QS-T__

| | | | | | | | | |
a b d e f g h i j

2TDM__-R4824-QS-T__

| | | | | | | | | |
a b c d e f g h i j

48.0" x 24.0" quick ship complete table

- Trada table base with a 48.0"w x 24.0"d rectangle TFL worksurface with standard keypad

MODEL # 2TD__-R4824-QS-T__

- Trada table base with a 48.0"w x 24.0"d rectangle TFL worksurface with digital keypad

Model # 2TDM__-R4824-QS-T__

60.0" x 30.0" quick ship complete table

- Trada table base with a 60.0"w x 30.0"d rectangle TFL worksurface with standard keypad

MODEL # 2TD__-R6030-QS-T__

- Trada table base with a 60.0"w x 30.0"d rectangle TFL worksurface with digital keypad

MODEL # 2TDM__-R6030-QS-T__

■ base finish notation ■ laminate color notation

- a: number of legs
- b: type of table base
- c: 4-memory digital keypad
- d: finish of base
- e: worksurface shape
- f: worksurface width
- g: worksurface depth
- h: quick ship indicator
- i: laminate material
- j: laminate color

Available base finishes

Silver -S

Black -B

White -W

Available TFL quick ship laminates

Beigewood -BG

Phantom Charcoal -PC

Shadow Oak -SO

Designer White -DW

Grey -GR

Dove Grey -DV

Trada table

Quick ship complete table options include: silver, black, or white table bases; 48.0"w x 24.0"d or 60.0"w x 30.0"d rectangle worksurfaces; standard or digital keypad; all six TFL laminates. For all other combinations, please call our Customer Service Department for the estimated lead time and cost.

Multiple worksurface shapes and laminates are available. See pages 46–51 for worksurface details including laminate colors.

Premium 2-leg



Product specs

- Electric height adjustment
- 250lb. base lifting capacity
- 1.5"/sec adjustment speed
- 26.0" height adjustment range
 - 21.0"–47.0" (low/high) *(excluding worksurface)*
- Three stage adjustable legs
- C-leg
- Adjustable width frame accommodates worksurfaces 36.0"–72.0"
- Two motors
- Soft start and stop
- Anti-collision safety feature
- Locking casters are available
- Low standby power consumption
- Digital keypad with four memory settings
- Meets or exceeds BIFMA G1-2014 and HFES 100-2007 guidelines
- Complete tables available *(base and top)*
- Warranty: 15 yr. *(structural)*/7 yr. *(mechanical)*




Available base finishes

- Silver -SLV **LT** Black -BLK **LT** White -WHT **LT**

Caster kit

- Set of four caster wheels for table base
- Increases height by 2.0"
- Locking casters for security

MODEL # CASTERKIT-2E

Table bases		Available worksurfaces				
Table base model #	Worksurface shape	Worksurface dimension	TFL standard		HPL standard	HPL premium
			Quick ship	Standard ship	Standard ship	Standard ship
2E-C36-24-____		36"w x 24"d	–	●	●	●
		42"w x 24"d	–	●	●	●
2E-C48-24-____	 W D Rectangle	48"w x 24"d	–	●	●	●
2E-C60-24-____		60"w x 24"d	–	●	●	●
2E-C72-24-____		72"w x 24"d	–	●	●	●
2E-C36-30-____		36"w x 30"d	–	●	●	●
		42"w x 30"d	–	●	●	●
2E-C48-30-____		48"w x 30"d	–	●	●	●
2E-C60-30-____		60"w x 30"d	–	●	●	●
2E-C72-30-____		72"w x 30"d	–	●	●	●

Worksurface program

Multiple worksurface shapes and laminates are available. See pages 46–51 for worksurface details including laminate colors. TFL quick ship worksurfaces are shipped out in 48 hours, TFL standard and HPL standard/premium worksurfaces ship within three weeks. Lead time may vary depending on quantities ordered and their availability.

*Table bases and worksurfaces can be purchased independently or as a combination.
 ESI worksurfaces are made to exact dimensions. If nominal sizing is needed, please specify when ordering.*



Product shown: Weight Adjustable Espree, Edge2-MS, Solution All-Fit, Lustre, FlexCharge4, CPU05

Premium 3-leg



Product specs

- Electric height adjustment
- 330 lb. base lifting capacity
- 1.5"/sec adjustment speed
- 26.0" height adjustment range
 - 21.0"–47.0" (low/high) (*excluding worksurface*)
- Three stage adjustable legs
- C-leg
- Adjustable width frame accommodates worksurfaces 48.0"–72.0"
- Two motors
- Soft start and stop
- Anti-collision safety features
- Locking casters are available
- Low standby power consumption
- Meets or exceeds BIFMA G1-2014 and HFES 100-2007 guidelines
- Digital keypad with four memory settings
- Complete tables available (*base and top*)
- Warranty: 15 yr. (*structural*)/7 yr. (*mechanical*)



Available base finishes

- Silver -SLV **LT** Black -BLK **LT** White -WHT **LT**

Caster kit

- Set of five caster wheels for table base
- Increases height by 2.0"
- Locking casters for security

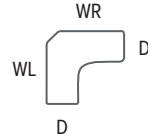
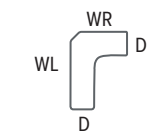
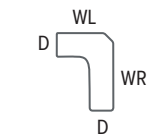
MODEL # CASTERKIT-3E-SLV

MODEL # CASTERKIT-3E-BLK

MODEL # CASTERKIT-3E-WHT

Table bases

Available worksurfaces

Table base model #	Worksurface shape	Worksurface dimension	TFL standard		HPL standard	HPL premium	
			Quick ship	Standard ship	Standard ship	Standard ship	
3E90-C6060-24-___		60"wl x 60"wr x 24"d	–	●	●	●	
3E90-C7272-24-___		72"wl x 72"wr x 24"d	–	–	●	●	
3E90-C6060-30-___		60"wl x 60"wr x 30"d	–	●	●	●	
3E90-C7272-30-___		Large Equal Corner	72"wl x 72"wr x 30"d	–	–	●	●
<hr/>							
3E90-C4860-24-___		60"wr x 48"wl x 24"d	–	●	●	●	
3E90-C4872-24-___		72"wl x 48"wr x 24"d	–	●	●	●	
3E90-C6072-24-___		72"wl x 60"wr x 24"d	–	●	●	●	
3E90-C4860-30-___		60"wl x 48"wr x 30"d	–	●	●	●	
3E90-C4872-30-___		Offset Corner Left	72"wl x 48"wr x 30"d	–	●	●	●
3E90-C6072-30-___			72"wl x 60"wr x 30"d	–	●	●	●
<hr/>							
3E90-C4860-24-___		48"wl x 60"wr x 24"d	–	●	●	●	
3E90-C4872-24-___		48"wl x 72"wr x 24"d	–	●	●	●	
3E90-C6072-24-___		60"wl x 72"wr x 24"d	–	●	●	●	
3E90-C4860-30-___		48"wl x 60"wr x 30"d	–	●	●	●	
3E90-C4872-30-___		Offset Corner Right	48"wl x 72"wr x 30"d	–	●	●	●
3E90-C6072-30-___			60"wl x 72"wr x 30"d	–	●	●	●

Worksurface program

Multiple worksurface shapes and laminates are available. See pages 46–51 for worksurface details including laminate colors. TFL quick ship worksurfaces are shipped out in 48 hours, TFL standard and HPL standard/premium worksurfaces ship within three weeks. Lead time may vary depending on quantities ordered and their availability.

Table bases and worksurfaces can be purchased independently or as a combination. ESI worksurfaces are made to exact dimensions. If nominal sizing is needed, please specify when ordering.

Weight Adjustable Espree™

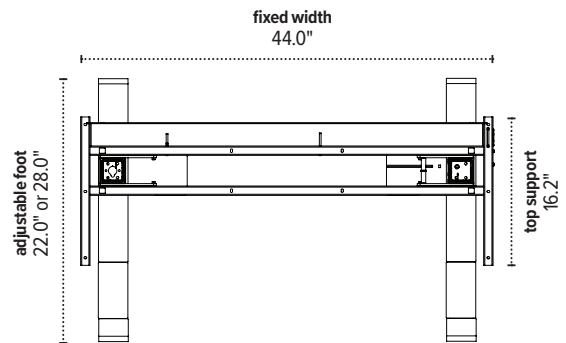


Product specs

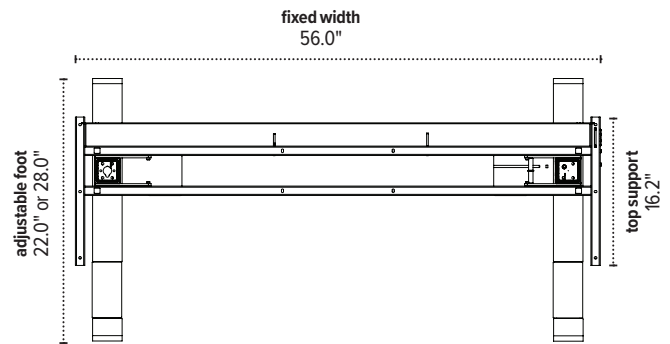
- Pneumatic height adjustment
- 19.5" height adjustment range
 - 26.3"–45.8" (low/high) (excluding worksurface)
- 44–143 lb. base lifting capacity (2ESP-WA-C48)
- 52–163 lb. base lifting capacity (2ESP-WA-C60)
- Three stage adjustable legs
- C-leg
- Foot is adjustable to 22.0" or 28.0" (patented design)
- Fixed width frame
- Table bases accommodate worksurfaces measuring 48.0" and 60.0" in width
- Weight adjustable with adjustment gauge
- Includes adjustment tools
- Locking casters are available
- The user has the ability to change the weight resistance in the base for easy height adjustment
- Counter-balanced columns provide smooth, synchronized height adjustment
- Weight adjustment cylinder includes preventative hard stop
- Complete tables available (base and top)
- Warranty: 15 yr. (structural)/7 yr. (mechanical)



2ESP-WA-C48



2ESP-WA-C60



The base dimensions as shown are actual.

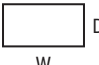
Available base finishes

- Silver -SLV Black -BLK White -WHT

Caster kit

- Set of four caster wheels for table base
- Increases height by 2.0"
- Locking casters for security

MODEL # CASTERKIT-ESP-WA

Table bases		Available worksurfaces				
Table base model #	Worksurface shape	Worksurface dimension	TFL standard		HPL standard	HPL premium
			Quick ship	Standard ship	Standard ship	Standard ship
2ESP-WA-C48- _ _ _ _		48"w x 24"d	●	●	●	●
		48"w x 30"d	–	●	●	●
2ESP-WA-C60- _ _ _ _	Rectangle	60"w x 24"d	–	●	●	●
		60"w x 30"d	●	●	●	●

Worksurface program

Multiple worksurface shapes and laminates are available. See pages 46–51 for worksurface details including laminate colors. TFL quick ship worksurfaces are shipped out in 48 hours, TFL standard and HPL standard/premium worksurfaces ship within three weeks. Lead time may vary depending on quantities ordered and their availability.

*Table bases and worksurfaces can be purchased independently or as a combination.
ESI table bases and worksurfaces are made to exact dimensions. If nominal sizing is needed, please specify when ordering.*

Weight Adjustable Espree™ complete table

Complete quick ship table model # breakdown:

2ESPWA__-R4824-QS-T__

a b c d e f g h i

- a: number of legs
- b: type of table base
- c: finish of base
- d: worksurface shape
- e: worksurface width
- f: worksurface depth
- g: quick ship indicator
- h: laminate material
- i: laminate color

48.0" x 24.0" quick ship complete table

- Weight Adjustable Espree 2-leg table base with a 48.0"w x 24.0"d rectangle TFL worksurface

MODEL # 2ESPWA__-R4824-QS-T__

60.0" x 30.0" quick ship complete table

- Weight Adjustable Espree 2-leg table base with a 60.0"w x 30.0"d rectangle TFL worksurface

MODEL # 2ESPWA__-R6030-QS-T__

■ base finish notation

■ laminate color notation

Available base finishes

○ Silver -S

● Black -B

○ White -W

Available TFL quick ship laminates

○ Beigewood -BG

● Phantom Charcoal -PC

● Shadow Oak -SO

○ Designer White -DW

○ Grey -GR

○ Dove Grey -DV

Weight Adjustable Espree table

Quick ship complete table options include: silver, black or white table base; 48.0"w x 24.0"d or 60.0"w x 30.0"d rectangle worksurfaces; all six TFL laminates. For all other combinations, please call our Customer Service Department for the estimated lead time and cost.

Multiple worksurface shapes and laminates are available. See pages 46–51 for worksurface details including laminate colors.

Q Crank



Product specs

- Crank height adjustment
- 220 lb. base lifting capacity
- 1.0" per two cranks adjustment speed
- 17.5" height adjustment range
 - 24.8"–42.3" (low/high) (excluding worksurface)
- Two stage adjustable legs
- C-leg
- Adjustable width frame accommodates worksurfaces 36.0"–72.0"
- Locking casters are available
- Complete tables available (base and top)
- Warranty: 15 yr. (structural)/7 yr. (mechanical)

Available base finishes

- Silver -SLV
- Black -BLK

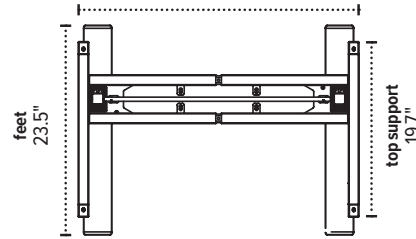
Caster kit

- Set of four caster wheels for table base
- Increases height by 2.0"
- Locking casters for security

MODEL # CASTERKIT-QCRANK

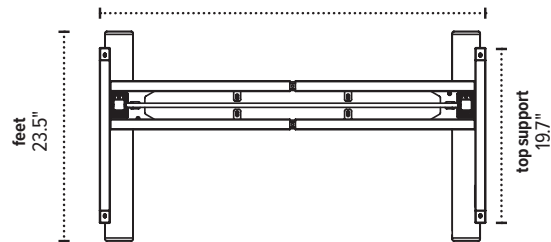
Q CRANK-24S

adjustable width
28.6"–47.5"



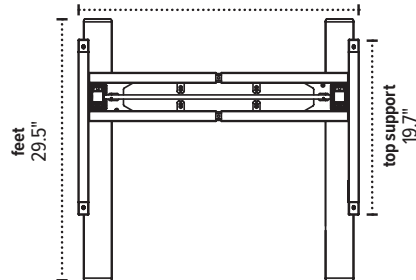
Q CRANK-24L

adjustable width
40.1"–70.7"



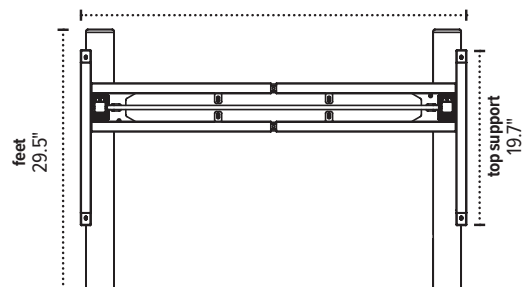
Q CRANK-30S

adjustable width
28.6"–47.5"




Q CRANK-30L

adjustable width
40.1"–70.7"



The base dimensions as shown are actual.

Table bases		Available worksurfaces				
Table base model #	Worksurface shape	Worksurface dimension	TFL standard		HPL standard	HPL premium
			Quick ship	Standard ship	Standard ship	Standard ship
QCRANK-24S-___	 W D Rectangle	36"w x 24"d	–	●	●	●
		42"w x 24"d	–	●	●	●
		48"w x 24"d	●	●	●	●
QCRANK-24L-___		60"w x 24"d	–	●	●	●
		72"w x 24"d	–	●	●	●
		QCRANK-30S-___	36"w x 30"d	–	●	●
42"w x 30"d			–	●	●	●
48"w x 30"d			–	●	●	●
QCRANK-30L-___		60"w x 30"d	●	●	●	●
	72"w x 30"d	–	●	●	●	

Worksurface program

Multiple worksurface shapes and laminates are available. See pages 46–51 for worksurface details including laminate colors. TFL quick ship worksurfaces are shipped out in 48 hours, TFL standard and HPL standard/premium worksurfaces ship within three weeks. Lead time may vary depending on quantities ordered and their availability.

*Table bases and worksurfaces can be purchased independently or as a combination.
ESI worksurfaces are made to exact dimensions. If nominal sizing is needed, please specify when ordering.*

Q Crank complete table

Complete quick ship table model # breakdown:

2QC__-R4824-QS-T__

| | | | | | | | | |

a b c d e f g h i

- a: number of legs
- b: type of table base
- c: finish of base
- d: worksurface shape
- e: worksurface width
- f: worksurface depth
- g: quick ship indicator
- h: laminate material
- i: laminate color

48.0" x 24.0" quick ship complete table

- Q Crank 2-leg table base with a 48.0"w x 24.0"d rectangle TFL worksurface

MODEL # 2QC__-R4824-QS-T__

60.0" x 30.0" quick ship complete table

- Q Crank 2-leg table base with a 60.0"w x 30.0"d rectangle TFL worksurface

MODEL # 2QC__-R6030-QS-T__

■ base finish notation

■ laminate color notation

Available base finishes

Silver -S

Black -B

Available TFL quick ship laminates

Beigewood -BG

Phantom Charcoal -PC

Shadow Oak -SO

Designer White -DW

Grey -GR

Dove Grey -DV

Q Crank table

Quick ship complete table options include: silver and black table base; 48.0"w x 24.0"d or 60.0"w x 30.0"d rectangle worksurfaces; all six TFL laminates. For all other combinations, please call our Customer Service Department for the estimated lead time and cost.

Multiple worksurface shapes and laminates are available. See pages 46–51 for worksurface details including laminate colors.

Crank



Product specs

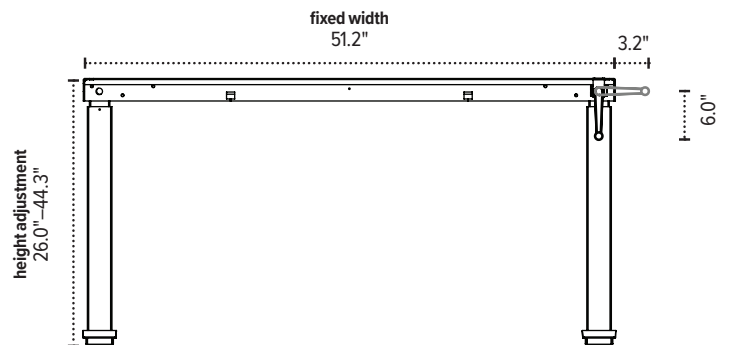
- Crank height adjustment
- 300 lb. base lifting capacity
- 1.0" per six cranks adjustment speed
- 18.3" height adjustment range
 - 26.0"—44.3" (low/high) (*excluding worksurface*)
- Locking casters are available
- Two stage adjustable legs
- C-leg
- Complete tables available (*base and top*)
- Warranty: 15 yr. (*structural*)/7 yr. (*mechanical*)



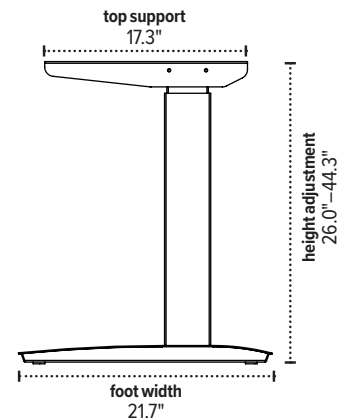
Available base finishes

- Silver -SLV **LT** Black -BLK **LT** White -WHT **LT**

CRANK-24C



CRANK-24C



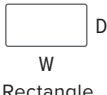
Caster kit

- Set of four caster wheels for table base
- Increases height by 2.0"
- Locking casters for security

MODEL # CASTERKIT-2C

Table bases

Available worksurfaces

Table base model #	Worksurface shape	Worksurface dimension	TFL standard				HPL standard		HPL premium	
			TFL standard		HPL standard		HPL premium			
			Quick ship	Standard ship	Standard ship	Standard ship				
2C-C36-24-___	 W D Rectangle	36"w x 24"d	–	●	●	●	●	●		
2C-C42-24-___		42"w x 24"d	–	●	●	●	●			
2C-C48-24-___		48"w x 24"d	–	●	●	●	●			
2C-C60-24-___		60"w x 24"d	–	●	●	●	●			
2C-C72-24-___		72"w x 24"d	–	●	●	●	●			
2C-C36-30-___		36"w x 30"d	–	●	●	●	●			
2C-C42-30-___		42"w x 30"d	–	●	●	●	●			
2C-C48-30-___		48"w x 30"d	–	●	●	●	●			
2C-C60-30-___		60"w x 30"d	–	●	●	●	●			
2C-C72-30-___		72"w x 30"d	–	●	●	●	●			

Worksurface program

Multiple worksurface shapes and laminates are available. See pages 46–51 for worksurface details including laminate colors. TFL quick ship worksurfaces are shipped out in 48 hours, TFL standard and HPL standard/premium worksurfaces ship within three weeks. Lead time may vary depending on quantities ordered and their availability.

*Table bases and worksurfaces can be purchased independently or as a combination.
ESI worksurfaces are made to exact dimensions. If nominal sizing is needed, please specify when ordering.*

Worksurfaces

Worksurfaces overview

How to order:

Worksurfaces have multiple model numbers based on worksurface dimensions.

ESI offers Thermally Fused Laminate (TFL) in 6 styles for both quick ship and standard worksurfaces. Additionally we offer High Pressure Laminate (HPL) in 14 standard styles and 6 premium styles. See page 51 for more details on laminates.

Use the worksurface two letter color code to complete your model number.

Worksurface part number breakdown:

2R4824-TFL-DW

| | | | |
a b c d e

a: worksurface shape
b: worksurface width
c: worksurface depth
d: laminate material
e: laminate color

This product number represents:

Rectangle shape

48.0" wide and 24.0" deep

TFL standard

Designer White laminate

General information:

Worksurfaces*

Worksurfaces can be sold separately or in combination with a table base.

Warranty: 5 yr.



Sizing

ESI worksurfaces are made to exact dimensions. If nominal sizing is needed, please specify when ordering. TFL worksurfaces are 1.0" thick. HPL worksurfaces are 1.125" thick.

Lead times

For standard colors and sizes the lead times are as follows. Lead time may vary depending on quantities ordered and their availability. For custom sizes and laminates please see below:

TFL quick ship: 48 hours

TFL standard: Within 3 weeks

HPL standard: Within 3 weeks

HPL premium: Within 3 weeks

*Due to current material challenges, lead times may be extended.

Contact our Customer Service Department for current lead times.

Custom options

For more information on alternative worksurface shapes, thicknesses, edge detail, laminate options, and pre-drilling, contact our Customer Service Department. Extended lead times and upcharges will apply on all custom requests. Orders with custom laminates or custom edge detailing will both require a standard solid edge banding.

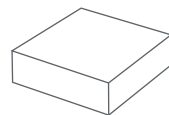
Worksurface pre-drilled holes

For your convenience, all quick ship worksurfaces will be pre-drilled to accommodate the VictoryLX 2-leg and the TriumphLX table bases. Pre-drilling for any other height adjustable table base series will require extended lead time and an additional cost.

Edge detail

Worksurfaces ship with standard square edge profile and coordinating 3mm edge band with a 3mm top radius.

Alternative edge detail options are available at additional cost.



Square edge

Laminate materials

Worksurfaces are available in select Wilsonart® and Uniboard® laminate options. ESI worksurfaces are either Thermally Fused Laminates, High Pressure Laminates or Premium High Pressure Laminates. Please indicate laminate color choice by adding the 2-letter code at the end of the worksurface model number.

Thermally fused laminates (TFL) - quick ship and standard

Worksurfaces consist of a single printed decor paper fused directly by heat and pressure to the core material of MDF or particle board.

TFL benefits: cost efficient, consistent and uniform, water resistant, scratch resistant.

High pressure laminates (HPL) - standard and premium

Worksurfaces consist of a melamine treated printed decor paper fused to multiple sheets of kraft paper. Heat and pressure bond all the sheets together creating a flexible and durable piece of plastic type material which is then adhered to MDF or particle board.

Standard HPL benefits: durable, versatile, stylish, heat resistant, water resistant, scratch resistant, impact resistant, hygienic qualities.

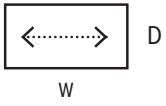
Premium HPL benefits: Same as standard HPL, plus enhanced performance to durability and scratch resistance.

All register marks are property of their respective owners.

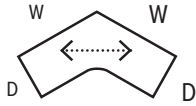
*ESI worksurfaces are specifically designed to work with ESI height adjustable table bases. If a different application is going to be used, please contact customer service for more details.

Available shapes and woodgrain pattern direction:

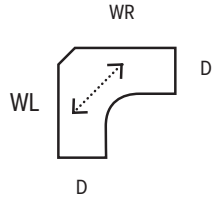
Please see the diagrams for the direction of the woodgrain pattern on each worksurface shape.



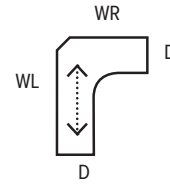
Rectangle



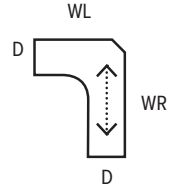
120 degree



Equal corner



Offset corner left



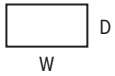
Offset corner right

TFL quick ship worksurfaces

TFL quick ship worksurfaces ship within 48 hours and are available in six colors. Please see page 162 for the laminate options that are available.

Worksurface dimensions:

Rectangle



Surface model	Dimensions
2R4824-QS-TFL-__	48" w x 24"d
2R6030-QS-TFL-__	60"w x 30"d

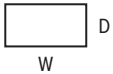
TFL standard worksurfaces

TFL standard worksurfaces ship within three weeks and are available in six colors. Please see page 162 for the laminate options that are available.



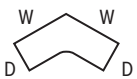
Worksurface dimensions:

Rectangle



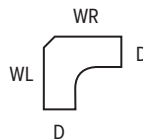
Surface model	Dimensions
2R3624-TFL-__	36"w x 24"d
2R4224-TFL-__	42"w x 24"d
2R4824-TFL-__	48"w x 24"d
2R6024-TFL-__	60"w x 24"d
2R7224-TFL-__	72"w x 24"d
2R3630-TFL-__	36"w x 30"d
2R4230-TFL-__	42"w x 30"d
2R4830-TFL-__	48"w x 30"d
2R6030-TFL-__	60"w x 30"d
2R7230-TFL-__	72"w x 30"d

120 degree



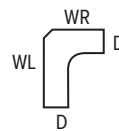
Surface model	Dimensions
120-4824-TFL-__	48"w x 24"d

Equal corner



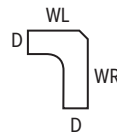
Surface model	Dimensions
3EC606024-TFL-__	60"wl x 60"wr x 24"d
3EC727224-TFL-__	72"wl x 72"wr x 24"d
3EC606030-TFL-__	60"wl x 60"wr x 30"d
3EC727230-TFL-__	72"wl x 72"wr x 30"d

Offset corner left



Surface model	Dimensions
3OCL604824-TFL-__	60"wl x 48"wr x 24"d
3OCL724824-TFL-__	72"wl x 48"wr x 24"d
3OCL726024-TFL-__	72"wl x 60"wr x 24"d
3OCL844824-TFL-__	84"wl x 48"wr x 24"d
3OCL604830-TFL-__	60"wl x 48"wr x 30"d
3OCL724830-TFL-__	72"wl x 48"wr x 30"d
3OCL726030-TFL-__	72"wl x 60"wr x 30"d
3OCL844830-TFL-__	84"wl x 48"wr x 30"d

Offset corner right



Surface model	Dimensions
3OCR486024-TFL-__	48"wl x 60"wr x 24"d
3OCR487224-TFL-__	48"wl x 72"wr x 24"d
3OCR607224-TFL-__	60"wl x 72"wr x 24"d
3OCR488424-TFL-__	48"wl x 84"wr x 24"d
3OCR486030-TFL-__	48"wl x 60"wr x 30"d
3OCR487230-TFL-__	48"wl x 72"wr x 30"d
3OCR607230-TFL-__	60"wl x 72"wr x 30"d
3OCR488430-TFL-__	48"wl x 84"wr x 30"d

Table bases and worksurfaces can be purchased independently or as a combination. ESI worksurfaces are made to exact dimensions. If nominal sizing is needed, please specify when ordering.

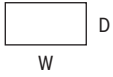
HPL standard worksurfaces

HPL standard worksurfaces ship within three weeks and are available in 14 colors. Please see page 162 for the laminate options that are available.



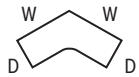
Worksurface dimensions:

Rectangle



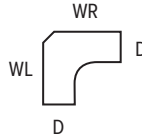
Surface model	Dimensions
2R3624-HPL-__	36"w x 24"d
2R4224-HPL-__	42"w x 24"d
2R4824-HPL-__	48"w x 24"d
2R6024-HPL-__	60"w x 24"d
2R7224-HPL-__	72"w x 24"d
2R3630-HPL-__	36"w x 30"d
2R4230-HPL-__	42"w x 30"d
2R4830-HPL-__	48"w x 30"d
2R6030-HPL-__	60"w x 30"d
2R7230-HPL-__	72"w x 30"d

120 degree



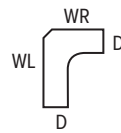
Surface model	Dimensions
120-4824-HPL-__	48"w x 24"d
120-6024-HPL-__	60"w x 24"d
120-7224-HPL-__	72"w x 24"d
120-4830-HPL-__	48"w x 30"d
120-6030-HPL-__	60"w x 30"d
120-7230-HPL-__	72"w x 30"d

Equal corner



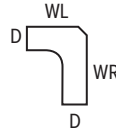
Surface model	Dimensions
3EC606024-HPL-__	60"wl x 60"wr x 24"d
3EC606030-HPL-__	60"wl x 60"wr x 30"d
3EC727224-HPL-__	72"wl x 72"wr x 24"d
3EC727230-HPL-__	72"wl x 72"wr x 30"d

Offset corner left



Surface model	Dimensions
3OCL604824-HPL-__	60"wl x 48"wr x 24"d
3OCL724824-HPL-__	72"wl x 48"wr x 24"d
3OCL844824-HPL-__	84"wl x 48"wr x 24"d
3OCL726024-HPL-__	72"wl x 60"wr x 24"d
3OCL846024-HPL-__	84"wl x 60"wr x 24"d
3OCL604830-HPL-__	60"wl x 48"wr x 30"d
3OCL724830-HPL-__	72"wl x 48"wr x 30"d
3OCL844830-HPL-__	84"wl x 48"wr x 30"d
3OCL726030-HPL-__	72"wl x 60"wr x 30"d
3OCL846030-HPL-__	84"wl x 60"wr x 30"d

Offset corner right



Surface model	Dimensions
3OCR486024-HPL-__	48"wl x 60"wr x 24"d
3OCR487224-HPL-__	48"wl x 72"wr x 24"d
3OCR488424-HPL-__	48"wl x 84"wr x 24"d
3OCR607224-HPL-__	60"wl x 72"wr x 24"d
3OCR608424-HPL-__	60"wl x 84"wr x 24"d
3OCR486030-HPL-__	48"wl x 60"wr x 30"d
3OCR487230-HPL-__	48"wl x 72"wr x 30"d
3OCR488430-HPL-__	48"wl x 84"wr x 30"d
3OCR607230-HPL-__	60"wl x 72"wr x 30"d
3OCR608430-HPL-__	60"wl x 84"wr x 30"d

Table bases and worksurfaces can be purchased independently or as a combination.

ESI worksurfaces are made to exact dimensions. If nominal sizing is needed, please specify when ordering.

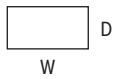
HPL premium worksurfaces

HPL premium worksurfaces ship within three weeks and are available in six colors. Please see page 162 for the laminate options that are available.



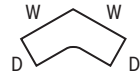
Worksurface dimensions:

Rectangle



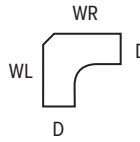
Surface model	Dimensions
2R3624-PHPL-__	36"w x 24"d
2R4224-PHPL-__	42"w x 24"d
2R4824-PHPL-__	48"w x 24"d
2R6024-PHPL-__	60"w x 24"d
2R7224-PHPL-__	72"w x 24"d
2R3630-PHPL-__	36"w x 30"d
2R4230-PHPL-__	42"w x 30"d
2R4830-PHPL-__	48"w x 30"d
2R6030-PHPL-__	60"w x 30"d
2R7230-PHPL-__	72"w x 30"d

120 degree



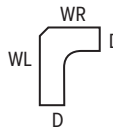
Surface model	Dimensions
120-4824-PHPL-__	48"w x 24"d
120-6024-PHPL-__	60"w x 24"d
120-7224-PHPL-__	72"w x 24"d
120-4830-PHPL-__	48"w x 30"d
120-6030-PHPL-__	60"w x 30"d
120-7230-PHPL-__	72"w x 30"d

Equal corner



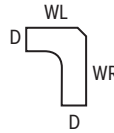
Surface model	Dimensions
3EC606024-PHPL-__	60"wl x 60"wr x 24"d
3EC606030-PHPL-__	60"wl x 60"wr x 30"d
3EC727224-PHPL-__	72"wl x 72"wr x 24"d
3EC727230-PHPL-__	72"wl x 72"wr x 30"d

Offset corner left



Surface model	Dimensions
3OCL604824-PHPL-__	60"wl x 48"wr x 24"d
3OCL724824-PHPL-__	72"wl x 48"wr x 24"d
3OCL844824-PHPL-__	84"wl x 48"wr x 24"d
3OCL726024-PHPL-__	72"wl x 60"wr x 24"d
3OCL846024-PHPL-__	84"wl x 60"wr x 24"d
3OCL604830-PHPL-__	60"wl x 48"wr x 30"d
3OCL724830-PHPL-__	72"wl x 48"wr x 30"d
3OCL844830-PHPL-__	84"wl x 48"wr x 30"d
3OCL726030-PHPL-__	72"wl x 60"wr x 30"d
3OCL846030-PHPL-__	84"wl x 60"wr x 30"d

Offset corner right



Surface model	Dimensions
3OCR486024-PHPL-__	48"wl x 60"wr x 24"d
3OCR487224-PHPL-__	48"wl x 72"wr x 24"d
3OCR488424-PHPL-__	48"wl x 84"wr x 24"d
3OCR607224-PHPL-__	60"wl x 72"wr x 24"d
3OCR608424-PHPL-__	60"wl x 84"wr x 24"d
3OCR486030-PHPL-__	48"wl x 60"wr x 30"d
3OCR487230-PHPL-__	48"wl x 72"wr x 30"d
3OCR488430-PHPL-__	48"wl x 84"wr x 30"d
3OCR607230-PHPL-__	60"wl x 72"wr x 30"d
3OCR608430-PHPL-__	60"wl x 84"wr x 30"d

Table bases and worksurfaces can be purchased independently or as a combination. ESI worksurfaces are made to exact dimensions. If nominal sizing is needed, please specify when ordering.

Laminates

TFL options: Available for TFL standard worksurfaces and for 48 hour quick ship

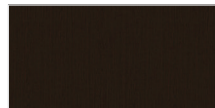
Patterns



Color code: **BG**
Color name: Beigewood
Finish: Matte
Manufacturer: Wilsonart
Wilsonart Part #: 7850-60

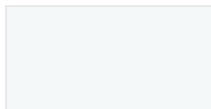


Color code: **PC**
Color name: Phantom Charcoal
Finish: Matte
Manufacturer: Wilsonart
Wilsonart Part #: 8214K-28

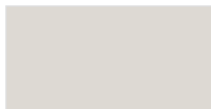


Color code: **SO**
Color name: Shadow Oak
Finish: Matte
Manufacturer: Uniboard
Uniboard Part #: 762

Solids



Color code: **DW**
Color name: Designer White
Finish: Matte
Manufacturer: Wilsonart
Wilsonart Part #: D354-60



Color code: **GR**
Color name: Grey
Finish: Matte
Manufacturer: Wilsonart
Wilsonart Part #: 1500-60



Color code: **DV**
Color name: Dove Grey
Finish: Matte
Manufacturer: Wilsonart
Wilsonart Part #: D92

HPL standard options: Available for HPL standard worksurfaces and ship within three weeks

Patterns



Color code: **MM**
Color name: Manitoba Maple
Finish: Matte
Manufacturer: Wilsonart
Wilsonart Part #: 7911-60



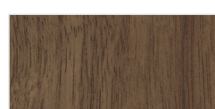
Color code: **BG**
Color name: Beigewood
Finish: Matte
Manufacturer: Wilsonart
Wilsonart Part #: 7850-60



Color code: **BZ**
Color name: Brazilwood
Finish: Fine velvet
Manufacturer: Wilsonart
Wilsonart Part #: 7946-38

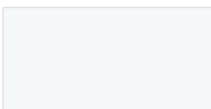


Color code: **HC**
Color name: Hibiscus Cherry
Finish: Fine velvet
Manufacturer: Wilsonart
Wilsonart Part #: 7988-38



Color code: **PW**
Color name: Pinnacle Walnut
Finish: Fine velvet
Manufacturer: Wilsonart
Wilsonart Part #: 7992-38

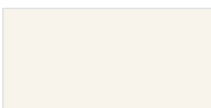
Solids



Color code: **DW**
Color name: Designer White
Finish: Matte
Manufacturer: Wilsonart
Wilsonart Part #: D354-60



Color code: **LN**
Color name: Linen
Finish: Matte
Manufacturer: Wilsonart
Wilsonart Part #: D427-60



Color code: **AQ**
Color name: Antique White
Finish: Matte
Manufacturer: Wilsonart
Wilsonart Part #: 1572-60



Color code: **GR**
Color name: Grey
Finish: Matte
Manufacturer: Wilsonart
Wilsonart Part #: 1500-60



Color code: **PL**
Color name: Platinum
Finish: Matte
Manufacturer: Wilsonart
Wilsonart Part #: D315-60



Color code: **KB**
Color name: Khaki Brown
Finish: Matte
Manufacturer: Wilsonart
Wilsonart Part #: D50-60



Color code: **SH**
Color name: Shadow
Finish: Matte
Manufacturer: Wilsonart
Wilsonart Part #: D96-60



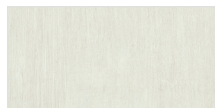
Color code: **SL**
Color name: Slate Grey
Finish: Matte
Manufacturer: Wilsonart
Wilsonart Part #: D91-60



Color code: **BK**
Color name: Black
Finish: Matte
Manufacturer: Wilsonart
Wilsonart Part #: 1595-60

HPL premium options: Available for HPL premium worksurfaces and ship within three weeks

Patterns



Color code: **PP**
Color name: Phantom Pearl
Finish: Gloss line finish with Aeon
Manufacturer: Wilsonart
Wilsonart Part #: 8211K-28



Color code: **PE**
Color name: Phantom Ecrú
Finish: Gloss line finish with Aeon
Manufacturer: Wilsonart
Wilsonart Part #: 8212K-28



Color code: **WH**
Color name: Walnut Heights
Finish: Soft grain finish with Aeon
Manufacturer: Wilsonart
Wilsonart Part #: 7965K-12



Color code: **EM**
Color name: Empire Mahogany
Finish: Fine velvet
Manufacturer: Wilsonart
Wilsonart Part #: 7122T-38



Color code: **PC**
Color name: Phantom Charcoal
Finish: Gloss line finish with Aeon
Manufacturer: Wilsonart
Wilsonart Part #: 8214K-28



Color code: **AN**
Color name: Asian Night
Finish: Linearity Finish with Aeon
Manufacturer: Wilsonart
Wilsonart Part #: 7949K-18

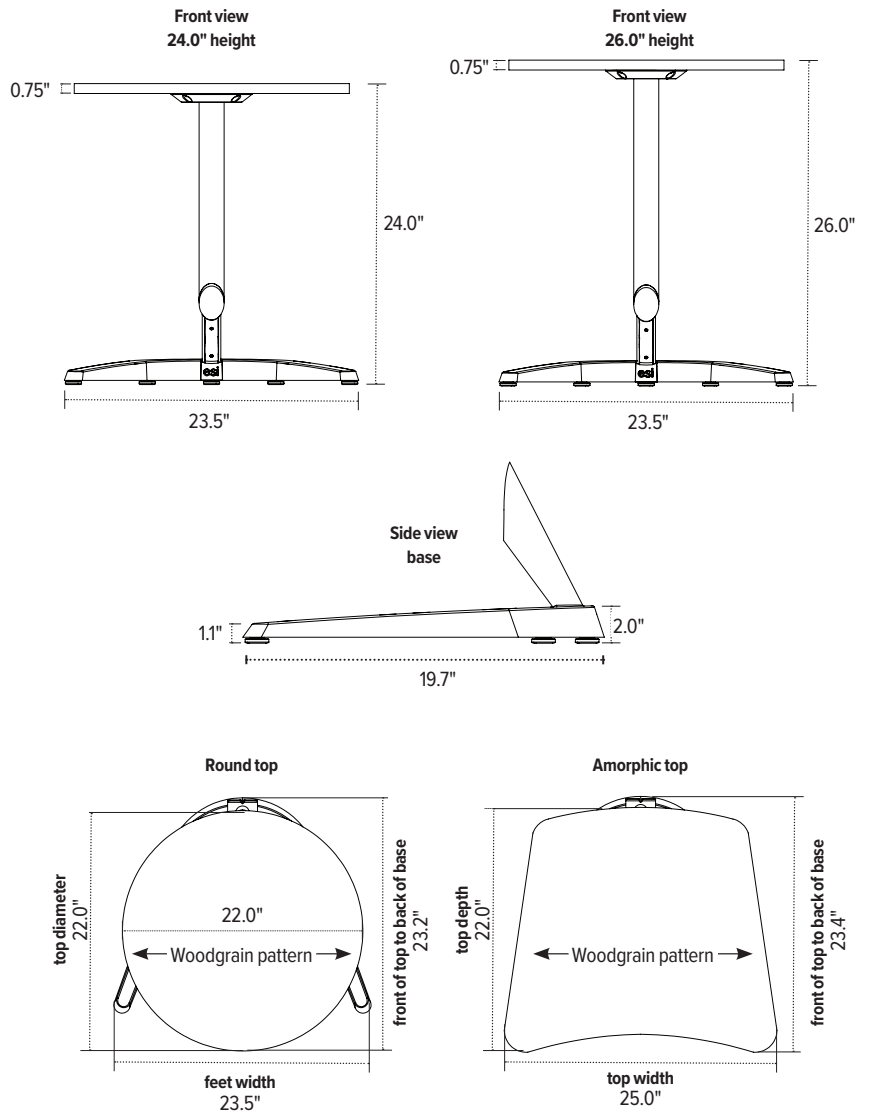
Mobile tables

Motific™



Product specs

- Designed by Gecco Vision
- Laptop or occasional table
- Multiple color combinations for unique and elegant design options
- Thermofoil formed top
- 2 available top sizes, 0.75" thick:
 - Round 22.0" diameter
 - Amorphic 25.0" width and 22.0" depth
- Available heights: 24.0" and 26.0"
- Includes a coat/bag hook
- Non-marring, easy-to-slide glides
- 50lb. weight capacity
 - 25lb. for table top
 - 25lb. for coat/bag hook
- Base dimensions
 - 19.7" depth
 - 23.5" width (widest point)
- Warranty: 15 yr. (base) / 5 yrs. (top)



The base dimensions as shown are actual.

Motific table base and top are sold as a complete unit.

Base Model

MOF24----

MOF26----

- column finish notation
- top shape notation
- base finish notation
- laminate color notation

The combination of a silver column and silver base with either shape top in Amati Walnut or Designer White is available to ship in 48 hours.

Available column finishes:

- Silver -S
- Black -B **LT**
- White -W **LT**

Available base finishes:

- Silver -S
- Black -B **LT**
- White -W **LT**
- Polished Aluminum -A **LT**

Available tops and colors:

- Round -RND
- Amati Walnut -AW
- Designer White -DW
- Amorphic -AMP
- Amati Walnut -AW
- Designer White -DW

Woodgrain pattern runs left to right.

Motific™ complete tables

Complete quick ship table model # breakdown:



- a: type of table base
- b: mechanism
- c: height of table base
- d: column finish
- e: base finish
- f: top shape
- g: laminate color

24.0" quick ship complete table

- 24.0" Motific table base with a top


MODEL # MOF24SS-  

26.0" quick ship complete table

- 26.0" Motific table base with a top

MODEL # MOF26SS-  

 top shape notation

 laminate color notation

Available quick ship column finishes

 Silver -S

Available quick ship base finishes

 Silver -S


Available TFL quick ship laminates

 Designer White -DW

 Amati Walnut -AW

Available top shapes

 Round -RND

 Amorphic -AMP

Motific tables

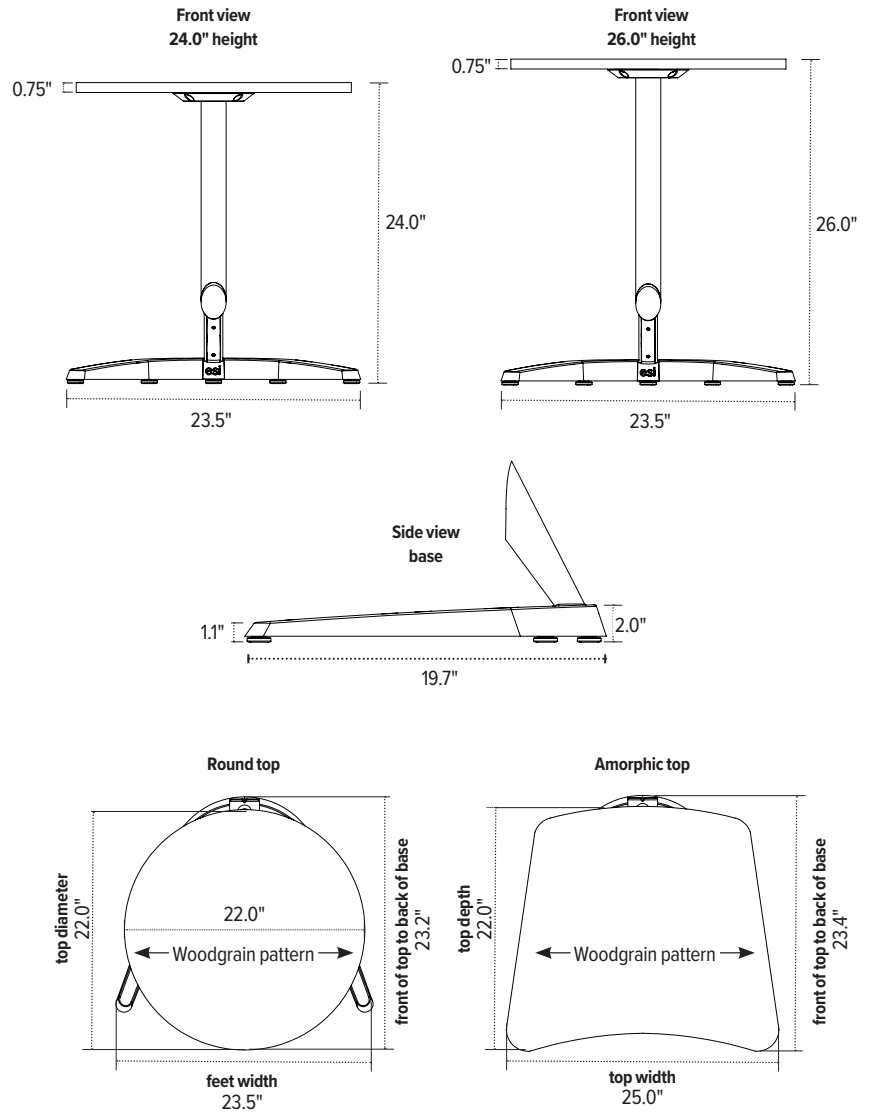
Quick ship complete table options include an all silver column and base finish combination; amorphic or round worksurfaces; Designer White or Amati Walnut laminates. For all other combinations, please call our Customer Service Department for the estimated lead time and cost.

Motific™ Height Adjustable



Product specs

- Laptop or occasional table
- Multiple color combinations for unique and elegant design options
- Thermofoil formed top
- 2 available top sizes, 0.75" thick:
 - Round 22.0" diameter
 - Amorphic 25.0" width and 22.0" depth
- 5.5" height adjustment range
 - 22.5"–27.8"(low/high) (excluding top)
- Includes an accessory hook
- Non-marring, easy-to-slide glides
- 25 lb. max weight capacity
- Base dimensions
 - 19.7" depth
 - 23.5" width (*widest point*)
- Warranty: 15 yr. (structural)
 - 5 yr. (pneumatic cylinder)
 - 5 yr. (worksurface)



The base dimensions as shown are actual.

Base Model

MOADJSS

- column finish notation
- top shape notation
- base finish notation
- laminate color notation

The combination of a silver column and silver base with either shape top in Amati Walnut or Designer White is available to ship in 48 hours.

Available column finishes:

- Silver -S
- Black -B **LT**
- White -W **LT**

Available base finishes:

- Silver -S
- Black -B **LT**
- White -W **LT**
- Polished Aluminum -A **LT**

Available tops and colors:

- Round -RND
 - Amati Walnut -AW
 - Designer White -DW
- Amorphic -AMP
 - Amati Walnut -AW
 - Designer White -DW

Woodgrain pattern runs left to right.

Terms and conditions

For the most up-to-date product and ordering information, refer to the ESI website at esiergo.com.

Acceptance by Customer of delivery of products from ESI ("Products") constitutes acceptance by Customer of these terms and conditions ("Terms and Conditions"). Any additional or different terms proposed by Customer shall be deemed to have been objected to by ESI, shall be of no force or effect, and shall not be binding upon or enforceable against ESI. These Terms and Conditions constitute the entire agreement and understanding between the parties and supersede any and all prior agreements, understandings and communications with Customer, oral or written, relating to the Products. No course of dealing or course of performance, either prior to, during or after the delivery of the Products, shall be relevant or admissible by Customer to supplement, explain or vary these Terms and Conditions. The invalidity or unenforceability of any Terms and Conditions shall not affect the validity or enforceability of any other term or condition, and the remaining terms and conditions shall remain in full force and effect. No waiver, amendment or modification of these Terms and Conditions shall be binding upon or enforceable against Seller until approved in writing by an ESI Authorized Signatory.

Government Terms and Conditions vary from these Terms and Conditions. Contact our Customer Service Department or visit esiergo.com for terms applicable to government purchases.

Discontinued products

Due to changing market demands, ESI periodically may discontinue certain products. ESI reserves the right to change and/or discontinue products at any time without notice.

Payment and credit terms

To establish an account, Customer must complete and submit ESI's New Account Application (signed by company officer), Federal Taxpayer ID (Form W-9) and State Resale Certificate. Once credit is approved, payment terms are net 30 days. Prior to Customer's credit approval (with receipt of required documents), prepayment of orders may be made by corporate check, wire transfer or ACH or for convenience, credit cards (Visa, Mastercard and American Express) are accepted.

Past Due Accounts: Open orders or pending shipments will be held until the account is brought current. ESI reserves the right to amend account terms, at any time, based on account history. Contact our Accounting Department for details.

Deposits: Subject to sales, credit history, and credit lines, a deposit may be required to process large orders.

Purchase order submission

Purchase Orders (POs) should be submitted via e-mail to orders@esiergo.com. POs should include "Ship To" and "Bill To" information along with complete ESI product model numbers and Customer cost. Government orders require a copy of the agency PO at the time the order is placed with ESI. All POs shall be subject to written acceptance by an authorized representative of ESI. Incomplete POs or changes will delay processing and shipment until receipt of all necessary information and ESI's issuance of revised Sales Order Acknowledgment.

Order changes or cancellations

All Customer cancellations and changes must be submitted to ESI in writing to orders@esiergo.com. Order changes include the addition/deletion of line items or changes in quantity or requested Ship Date or Ship To address. Order changes that result in a quantity reduction may be subject to an adjustment in pricing. Change or cancellation requests are not considered accepted until ESI provides a revised Sales Order Acknowledgment. Changes may result in processing delays or shipping delays. Under no circumstances will changes or cancellations be accepted on any special order, custom product, or worksurface order without the express written consent of ESI. All such custom and special orders are non-returnable.

Taxes

ESI is not responsible for the collection of sales tax on products sold to dealers. Dealers must provide Federal Taxpayer ID (Form W-9) and State Resale Certificate to establish an account with ESI. Dealers are responsible for any sales or use taxes assessed if dealer requests that ESI drop-ship direct to dealer's customer.

Pricing and specifications

ESI reserves the right to revise all pricing, discounts, and freight terms, at any time, without notice. Current product pricing is included on product pages at esiergo.com. Prices which are in effect at the time of order shall apply. All measurements are accurate within 0.25". Visit ESI's website esiergo.com for the most up-to-date product and ordering information, as well as additional specs, dimensional drawings, alternative images and more resources. Contact our Customer Service Department for a current Canadian Foreign Exchange Conversion Rate.

Shipping

48 hour shipping program

ESI offers 48 hour shipping on the majority of products. Unless otherwise requested, these products are shipped from multiple shipping points throughout the U.S., within two business days of receiving the PO, depending on quantity ordered and available inventory. Orders that include products with longer lead times including special orders, custom products, or worksurface orders, are designated as "LT" (lead time) and therefore not included in the 48 hour ship program. Large orders may also require additional lead time. Products designated as LT could take up to 90 days ARO for delivery. Call for on-hand availability.

Please note:

1. For the order to qualify for 48 hour shipping, all products on the PO must be available under the 48 hour shipping program.
2. POs that include LT designated products will be shipped based on the lead time of the LT designated products unless otherwise requested.
3. 48 hour orders will be shipped out within two business days unless otherwise specified on the PO.
4. Worksurfaces, Motific, Centro, and Railway may arrive on a date different than the other items on the order.

Freight terms

U.S. - Orders of \$3,500 list (USD) or more, ship free freight.

Orders under \$3,500 list incur a flat \$25 net fee.

Residential freight deliveries will incur a flat \$70 net fee.

Canada - Orders of \$4,375 list (CAD) or more, ship free freight.

Orders under \$4,375 list incur a flat \$50 net (CAD) fee.

Residential freight deliveries will incur a flat \$140 net (CAD) fee.

ESI ships orders by way of standard ground carrier service dock-to-dock within the contiguous 48 states. Special requests such as "call before delivery", "delivery lift gate required", residential delivery, re-routed deliveries, or specific delivery date/time requests may be subject to additional charges or may not be available. Contact our Customer Service Department for expedited delivery requests or deliveries outside of the contiguous 48 states.

Customers will be charged additional fees for changes made to orders that have already departed the facility, resulting in re-delivery or re-consignment.

ESI accepts requests for expedited freight at the customer's expense. Please contact our Customer Service Department at 800.833.3746 and provide your preferred carrier account number in which to charge the expedited freight.

Handling & special services

Cutting fee - A fee of \$40 list will be assessed per unit for all custom cutting requests.

Will call

ESI offers will call pickup at the Las Vegas, Nevada facility. Will call pickups are available Monday through Friday from 7am to 3pm. Requests for will call must be included in the PO. Will call orders will be invoiced on the date requested for pickup.

Damage/shortage claims

ESI packages products to reduce the risk of damage during shipment. ESI verifies order quantity and weight with the carrier before any shipments are made. When receiving an order, first confirm the quantity of cartons delivered with carrier's quantity and inspect cartons for signs of damage. The customer must notify carrier of damages or shortages at the time of delivery, or claims will not be accepted. Do not sign for the shipment until it is verified. Signing a freight bill without any notation relieves the carrier of any responsibility and serves as your acknowledgment to ESI that shipment was received in full. Discrepancies or concealed damage found upon opening the shipment must be reported to ESI in writing within five business days of delivery or Customer waives right to submit a claim. Damaged products must not be removed from point of delivery and must remain in original packaging for inspection by the carrier. ESI is not responsible for damage or discrepancies occurring after delivery. ESI reserves the right to request a return of damaged or defective products.

Returns

Contact our Customer Service Department by e-mail at customerservice@esiergo.com or phone 800.833.3746 to request a Return Authorization (RA) form. Please have the original PO number or ESI order number available. Request for product returns must be made to ESI within 60 days of the date shipped. Products, along with a copy of the RA, must be received at ESI's warehouse within 30 days of the date of the RA issuance.

Terms and conditions

to be eligible for credit. Products received after this date will not receive a credit. Custom products, products not listed in catalog or on esiergo.com, and worksurfaces are non-returnable, except for quick ship worksurfaces. Package(s) should be sent to:

ESI

ATTN: Returns Department
4030 East Quenton Drive, Suite 101
Mesa, AZ 85215

- Products returned to ESI without having been issued an RA or those not meeting the return requirements will not be eligible for a credit.
- To protect your return against loss, ESI recommends choosing a carrier that will provide tracking information and the ability to insure the shipment.
- Products which have been fully or partially assembled are not returnable for credit.
- Products must be returned in undamaged, re-sellable condition and in original packaging.
- Products should be carefully repacked to avoid damage during return shipping. Claims for product damaged on the return shipment are the responsibility of the Customer.
- The Customer is responsible for freight charges associated with returns.

Upon receipt, the product will be inspected to ensure it meets ESI's return guidelines. Once approved, Customer's account will be credited appropriately. No credit will be issued for unauthorized product returns or those not meeting return guidelines. Do not make any adjustments to your account until receipt of ESI Credit Memo. Costs associated with installation, return shipping, etc. of returned products will not be reimbursed. Please allow up to 30 days for returns processing.

Warranty

ESI grants a limited warranty to the End-users of its Products, the terms of which are included with each Product. Customer's remedies set forth herein are exclusive and the liability of ESI with respect to the breach of the Agreement or these Terms and Conditions shall not exceed the price of the Product or part on which such liability is based. IN NO EVENT SHALL ESI BE LIABLE TO CUSTOMER FOR ANY INCIDENTAL, CONSEQUENTIAL,

INDIRECT, STATUTORY, SPECIAL, EXEMPLARY, OR PUNITIVE DAMAGES, INCLUDING, BUT NOT LIMITED TO, LOST PROFITS, LOSS OF USE, LOSS OF TIME, INCONVENIENCE, LOSS BUSINESS OPPORTUNITIES, DAMAGE TO GOOD WILL OR REPUTATION, OR LOSS OF DATA, ARISING OUT OF, OR AS A RESULT OF, THE SALE, DELIVERY, SERVICING, USE OR LOSS OF THE PRODUCTS SOLD HEREUNDER, REGARDLESS OF WHETHER SUCH LIABILITY IS BASED ON BREACH OF CONTRACT, TORT, STRICT LIABILITY OR OTHERWISE, AND EVEN IF ADVISED OF THE POSSIBILITY OF SUCH DAMAGES OR SUCH DAMAGES COULD HAVE BEEN REASONABLY FORESEEN. Correction of any nonconformity in the manner and for the period provided shall constitute complete fulfillment of all liabilities of ESI, with respect to or arising out of the Product furnished hereunder. No claim by Customer of any kind including, but not limited to, claims for indemnification, whether as to quality or amount of Product delivered or non-delivery, shall be greater in amount than the purchase price for the Products in respect of which damages are claimed.

THIS LIMITED WARRANTY IS IN LIEU OF ALL OTHER REPRESENTATIONS, WARRANTIES OR CONDITIONS, EXPRESS OR IMPLIED, AND ESI MAKES NO OTHER WARRANTIES OR REPRESENTATIONS TO CUSTOMER OR ANY OTHER PERSON OF ANY KIND, WHETHER EXPRESS OR IMPLIED, WITH RESPECT TO THE PRODUCTS, AND ESI SPECIFICALLY DISCLAIMS ALL IMPLIED REPRESENTATIONS, WARRANTIES OR CONDITIONS, WITHOUT LIMITATION, INCLUDING, BUT NOT LIMITED TO, THE IMPLIED WARRANTIES OF MERCHANTABILITY, FITNESS FOR A PARTICULAR PURPOSE, NON-INFRINGEMENT, NON-INTERFERENCE, AND ALL OTHER WARRANTIES ARISING FROM COURSE OF DEALING OR USAGE OF TRADE. PRODUCTS SOLD HEREUNDER ARE SOLD ONLY TO THE SPECIFICATIONS SPECIFICALLY SET FORTH BY ESI IN WRITING. ESI'S SOLE OBLIGATION FOR A REMEDY TO CUSTOMER SHALL BE REPAIR OR REPLACEMENT OF NON-CONFORMING PRODUCTS, AS SET FORTH ABOVE. CUSTOMER ASSUMES ALL RISK WHATSOEVER AS TO THE RESULT OF THE USE OF PRODUCTS PURCHASED, WHETHER USED ALONE OR IN COMBINATION WITH OTHER PRODUCTS OR SUBSTANCES.

All ESI products are covered under a 15 year warranty, except the components and products listed below:

10 years: Eppa™ series monitor arm, MP Mobile Storage

7 years: Electric table components and motors; Crank mechanisms; Counterbalance mechanisms; Railway™ series (electrical); Centro™

5 years: Laminated worksurfaces; S2S; FlexCharge™ series, MP Mobile Storage Cushions, Acrylic Protective Screens, Acrylic Modesty Panels, Motific pneumatic cylinder and worksurface, Lotus-RT, Hana series

3 years: Climb series

2 years: Palm rests; Mouse pads

1 year: Pencil drawers; LED transformers

Warranty labor

For products purchased on or after March 1, 2022, ESI shall pay for all warranty labor costs pre-approved by the Company. The payment of such pre-approved labor costs will be in the form of a credit against future purchases.

Intellectual property

Customer acknowledges that ESI is the owner of intellectual property related to certain Products, including the registered trademarks and other trademarks (the "Marks") and proprietary designs and patterns, patents and/or pending patent applications, if any, used in connection with its Products (collectively, "Intellectual Property"). Customer shall not use the Marks or any part thereof as part of Customer's name, nor register any name, including domain names, or mark confusingly similar to the Marks. Customer acknowledges that it is not being licensed any right or interest of any kind in the Marks and that Customer may not use same without the prior, written consent of ESI. ESI reserves the right to discontinue deliveries of any products, the manufacture, sale or use of which would, in ESI's opinion, infringe upon any U.S. patent, trademark or design now or hereinafter issued, registered, or existing and under which ESI is not licensed.

Relationship of parties

The relationship of the Parties hereto is that of vendor and

purchaser. Nothing in these Terms and Conditions, and no course of dealing between the Parties, shall be construed to create any other type of relationship. Accordingly, Customer shall not be empowered to bind ESI in any way, to incur any liability or otherwise act on behalf of ESI.

Governing law

These Terms and Conditions shall be governed by the laws of the State of Illinois, without giving effect to the principles of conflicts of law of such state, and shall be binding upon the Parties hereto in the United States and worldwide.

ESI and Customer agree that any legal action arising out of or relating to this agreement or the transactions contemplated by this agreement shall be brought in either the United States District Court in and for the Eastern Division of the Northern District of Illinois or the Circuit Court in and for DuPage County, Illinois, and consents to personal jurisdiction of such courts over them in any such action. Customer waives any defense or inconvenient forum to the maintenance of any such action or proceeding so brought and waives any bond, surety, or other security that might be required of ESI.

Severability

If any clause or portion of these Terms and Conditions shall be held by a court of competent jurisdiction to be illegal, invalid, or unenforceable, the remaining clauses or portions shall remain in full force and effect.

Force majeure

ESI shall not be liable hereunder for any failure or delay in the performance of its obligations under these Terms and Conditions, if such failure or delay is on account of causes beyond its control, including labor disputes, civil commotion, contagion, war, fires, floods, inclement weather, governmental regulations or controls, casualty, government authority, strikes, or acts of God, in which event the ESI shall be excused from its obligations for the period of the delay and for a reasonable time thereafter. ESI shall use reasonable efforts to notify the other Party of the occurrence of such an event within five business days of its occurrence.

esi.®



800.833.3746
esiergo.com

Fellowes
Brands.

FAMILY BUSINESS
SINCE 1917

© 2022 Fellowes, Inc.