

esi.®



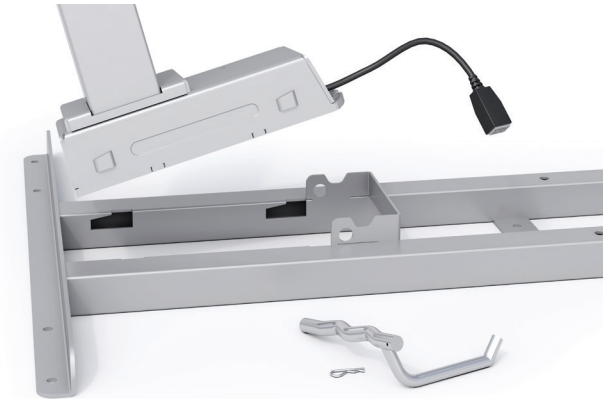
# Triumph™ LX

Electric height adjustable table base

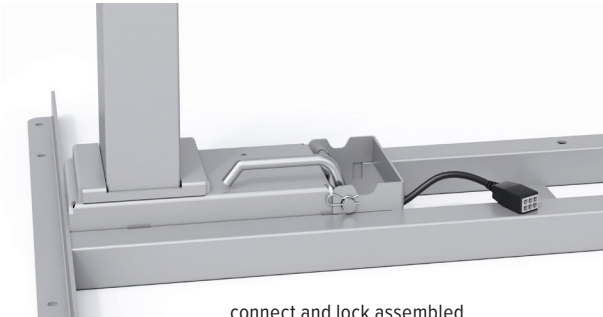
# TriumphLX

Electric height adjustable table base

esi®



connect and lock pre-assembly



connect and lock assembled



digital keypad



drawers easily slide over feet



locking casters

## Product specs

- Electric height adjustment
- 250 lb. base lifting capacity
- 1.4"/sec. adjustment speed
- 17.0" height adjustment range
  - 26.5"–43.5"(low/high) (*excluding worksurface*)
- Two stage adjustable legs
- C-leg
- Frame and column connect and lock for quick and easy assembly
- Adjustable width frame accommodates worksurfaces 36.0"–72.0"
- Two motors
- Digital keypad with three memory settings
- Soft start and stop
- Gyro sensor anti-collision
- Locking casters are available
- ADA compliant
- 8'9" power cord
- Steel frame and foot construction
- Works with peds or storage with 23.5" max. height
- Low standby power consumption
- Meets or exceeds BIFMA x5.5 guidelines
- Keypad can slide under worksurface to store out of the way
- Complete tables available (*base and top*)
- Warranty: 15 yr. (*structural*)/7 yr. (*mechanical*)

## Available base finishes

- Silver -SLV
- Black -BLK
- White -WHT

## Caster Kit

- Set of four casters for table base
- Increases height by 2.0"
- Locking casters for security

Model # CASTERKIT-LX-2LEG

# TriumphLX

Electric height adjustable table base



## Complete quick ship table model # breakdown

2T\_-R4824-QS-T\_-\_-  
| | | | | | | | |  
a b c d e f g h i

- a: number of legs
- b: type of table base
- c: finish of base
- d: worksurface shape
- e: worksurface width
- f: worksurface depth
- g: quick ship indicator
- h: laminate material
- i: laminate color

## 48.0" x 24.0" quick ship complete table

- TriumphLX 2-leg table base with a 48.0"w x 24.0"d rectangle TFL worksurface

MODEL # 2T\_-R4824-QS-T\_-\_-

## 60.0" x 30.0" quick ship complete table

- TriumphLX 2-leg table base with a 60.0"w x 30.0"d rectangle TFL worksurface

MODEL # 2T\_-R6030-QS-T\_-\_-

■ base finish notation    ■ laminate color notation

## Available base finishes

Silver -S

Black -B

White -W

## Available TFL quick ship laminates

Beigewood - BG

Phantom Charcoal -PC

Shadow Oak -SO

Designer White -DW

Grey -GR

Dove Grey -DV

## TriumphLX table

Quick ship complete table options include: silver, black, or white table bases; 48.0"w x 24.0"d or 60.0"w x 30.0"d rectangle worksurfaces; all six TFL laminates. Quick ship worksurfaces will be pre-drilled to accommodate the TriumphLX table base. For all other combinations, please call our Customer Service Department for the estimated lead time and cost.

Multiple worksurface shapes and laminates are available. See Complete Table and Worksurface Guide for worksurface details including laminate colors.

# TriumphLX

Electric height adjustable table base



Table bases		Available worksurfaces				
Table base model	Worksurface shape	Worksurface dimension	TFL standard		HPL standard	HPL premium
			Quick ship	Standard ship	Standard ship	Standard ship
2T-LX-C36-24-__	Rectangle	36"w x 24"d	-	2R3624-TFL-__	2R3624-HPL-__	2R3624-PHPL-__
		42"w x 24"d	-	2R4224-TFL-__	2R4224-HPL-__	2R4224-PHPL-__
		48"w x 24"d	2R4824-QS-TFL-__	2R4824-TFL-__	2R4824-HPL-__	2R4824-PHPL-__
2T-LX-C48-24-__	Rectangle	60"w x 24"d	-	2R6024-TFL-__	2R6024-HPL-__	2R6024-PHPL-__
		72"w x 24"d	-	2R7224-TFL-__	2R7224-HPL-__	2R7224-PHPL-__
2T-LX-C36-30-__	Rectangle	36"w x 30"d	-	2R3630-TFL-__	2R3630-HPL-__	2R3630-PHPL-__
		42"w x 30"d	-	2R4230-TFL-__	2R4230-HPL-__	2R4230-PHPL-__
		48"w x 30"d	-	2R4830-TFL-__	2R4830-HPL-__	2R4830-PHPL-__
2T-LX-C48-30-__	Rectangle	60"w x 30"d	2R6030-QS-TFL-__	2R6030-TFL-__	2R6030-HPL-__	2R6030-PHPL-__
		72"w x 30"d	-	2R7230-TFL-__	2R7230-HPL-__	2R7230-PHPL-__

## Worksurface Program

Multiple worksurface shapes and laminates are available. See the Complete Table & Worksurface Ordering Guide for worksurface details including pricing and laminate colors. TFL quick ship worksurfaces are shipped out in 48 hours, TFL standard and HPL standard/premium worksurfaces ship within three weeks. Lead time may vary depending on quantities ordered and their availability

*Table bases and worksurfaces can be purchased independently or as a combination.*

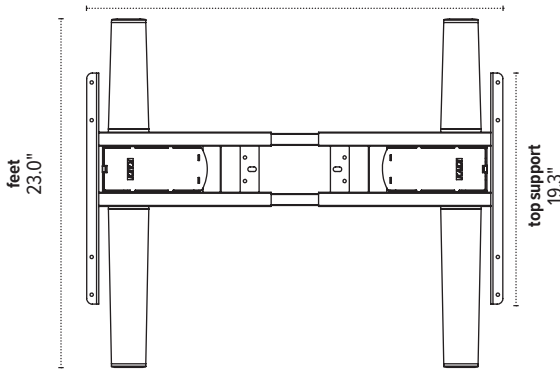
*ESI worksurfaces are made to exact dimensions. If nominal sizing is needed, please specify when ordering.*

# TriumphLX

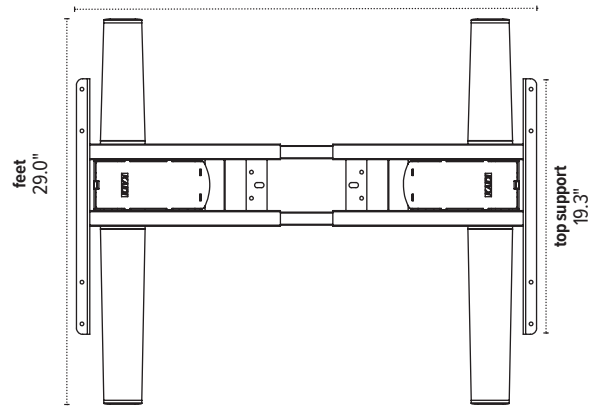
Electric height adjustable table base

esi®

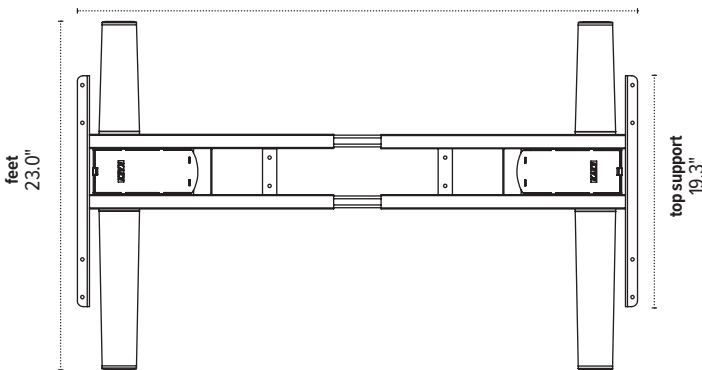
2T-LX-C36-24  
adjustable width  
30.6"–47.5"



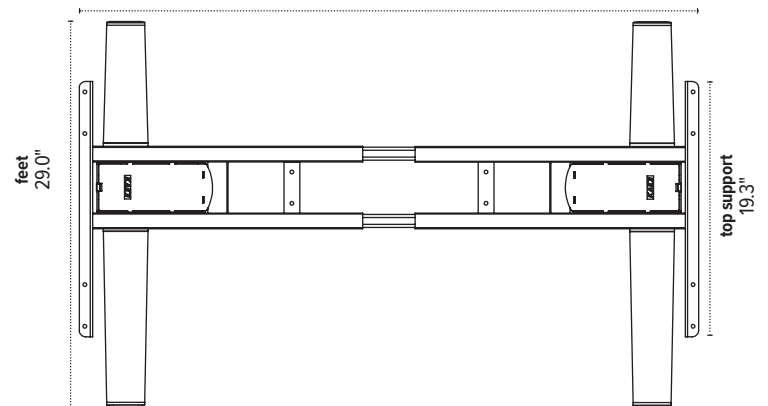
2T-LX-C36-30  
adjustable width  
30.6"–47.5"



2T-LX-C48-24  
adjustable width  
42.5"–71.5"



2T-LX-C48-30  
adjustable width  
42.5"–71.5"



The base dimensions as shown are actual.