

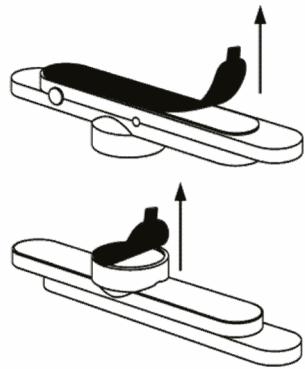
---

# EVOKO

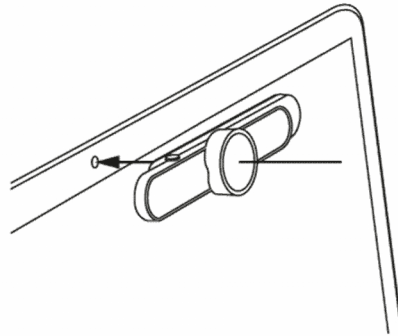
EVOKO GROUPIE

User manual

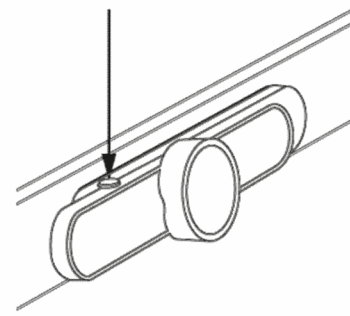
# QUICK START GUIDE



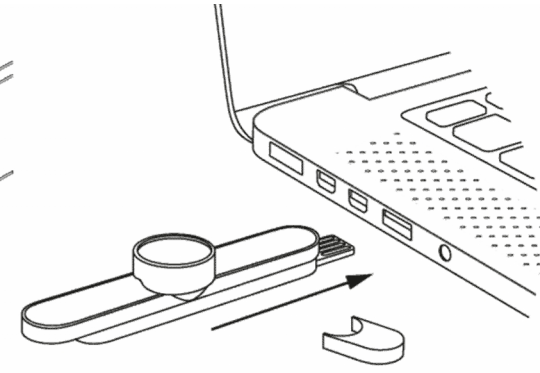
1. Remove plastic



2. Place over camera



3. Power / Mode



4. USB-Charging

# POWER & LED CONTROLS

**ON**  
Press and hold the power key for 2sec  
Shows battery status and then  
Starts in Auto mode

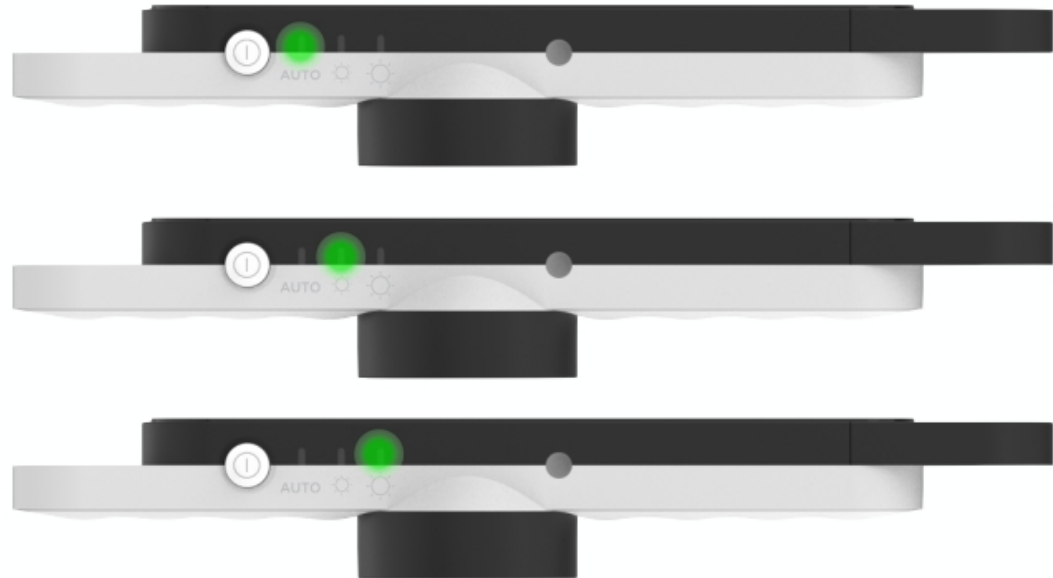
Press power key to toggle between modes. A green LED will indicate which mode is active  
Order is Auto — ☀ — ☀ — Auto

To turn **OFF** the product  
press and hold the power key for 2 sec

Press power key 2 times within 1 sec. to show battery status and then return to current state

**AUTO** Controlled by ALS  
☀ 25% of MAX effect  
☀ 100% of MAX effect

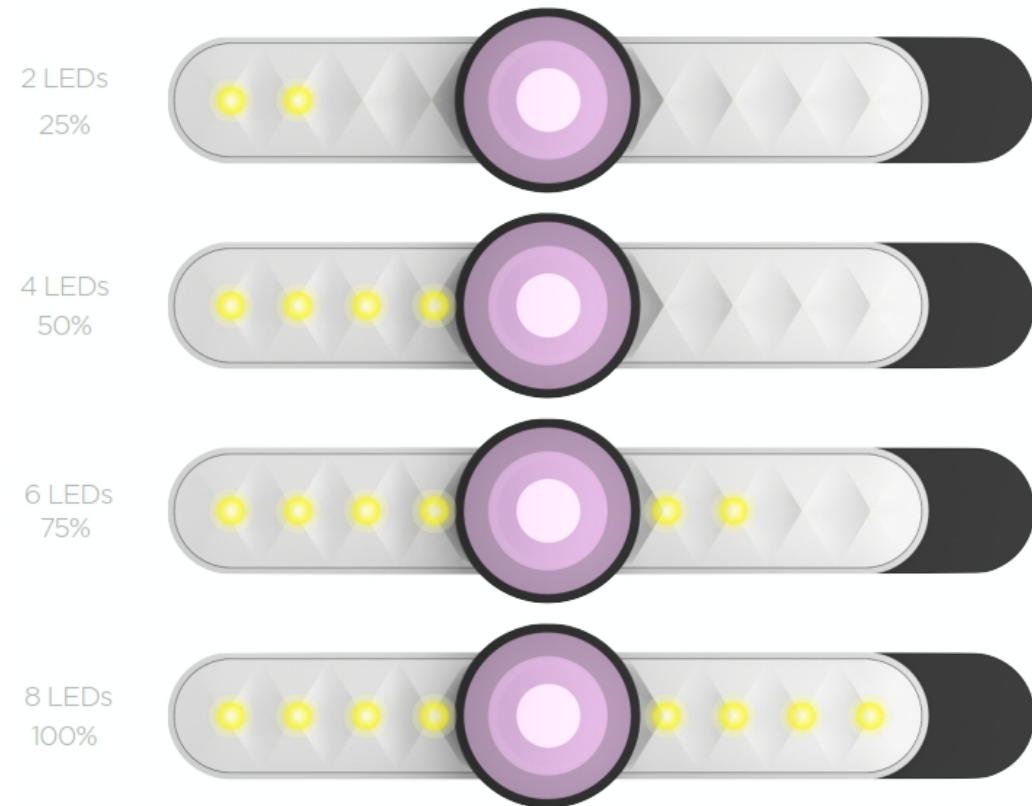
Auto



# BATTERY STATUS

When the product is turned ON, the front LED's will cycle all the way up and then back to 25-50-75-100% level and then flash twice before switching to Auto mode.

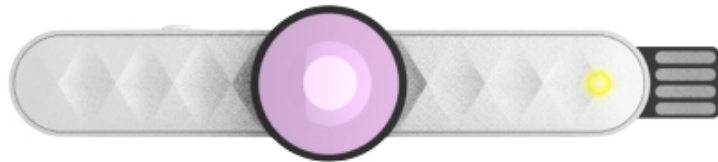
The amount of lit LEDs indicates battery level.



# CHARGING

Insert your Evoko Groupie in the USB port to charge.

During charging the LED closest to the USB port will pulsate.



When fully charged the AUTO green LED should light up and the pulsing cycle stops.



# SPECIFICATIONS

## MOUNT PAD

---

- Micro suction material stays attached to the screen of a device for 4 hours (tested up to 24h)
- Easily cleaned with damp cloth

## OPTICS & ILLUMINATION

---

- 8 LED lights up to 13 Lumen
- Ultra-wide angle lens with 151 degrees' angle of vision

## BATTERY & CHARGING

---

- Easily charged via USB
- 3.5 h charge = 3.6 to 13.5 hours off lighting (depending on mode)

## SIZE & WEIGHT

---

- Size: 122.0 x 25.5 x 16.5 mm (4.8 x 1.0 x 0.65 inch)
- Weight: 35 g (10.8 lbs)

---

# EVOKO

Meetings Made Magnificent

---

[www.evoko.se](http://www.evoko.se)