

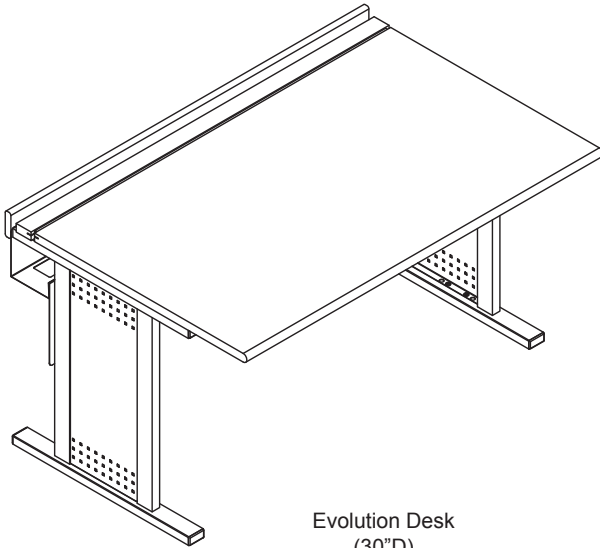
Technical Specifications



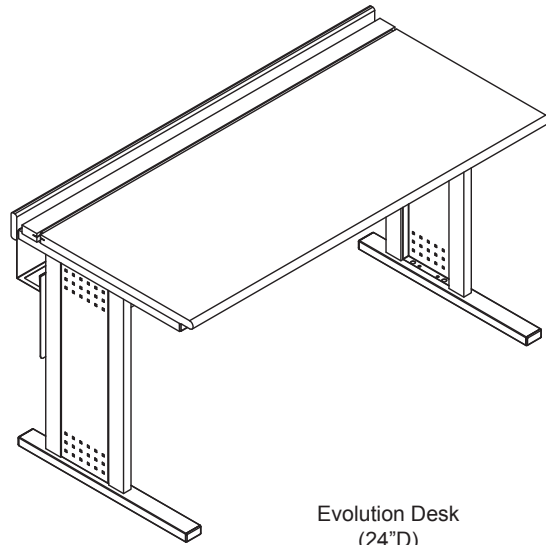
205 Westwood Ave, Long Branch, NJ 07740
Phone: 866-94 BOARDS (26273) / (732)-222-1511
Fax: (732)-222-7088 | E-mail: sales@touchboards.com

24"D	
Standard 27"H	Adjustable-Height 24-32"H
38912 - 36"W	38912ADJ - 36"W
38913 - 44"W	38913ADJ - 44"W
38914 - 48"W	38914ADJ - 48"W
38915 - 60"W	38915ADJ - 60"W
38916 - 72"W	38916ADJ - 72"W

30"D	
Standard 27"H	Adjustable-Height 24-32"H
38901 - 36"W	38901ADJ - 36"W
38902 - 44"W	38902ADJ - 44"W
38903 - 48"W	38903ADJ - 48"W
38904 - 60"W	38904ADJ - 60"W
38905 - 72"W	38905ADJ - 72"W



Evolution Desk
(30"D)



Evolution Desk
(24"D)

The Evolution computer lab desk is designed for comfort. Legs are spaced at a maximum to give the computer user the most legroom. A full bull-nose edge offers more than just the look of modern computer desks; it takes away sharp edges from the arms and wrist for a comfortable setting. The Evolution is available in 24" or 30" depths for optimal writing surface. Need to keep your work-surface neat and organized? Use an optional monitor arm to float your monitor and free up valuable space.

Evolution Computer Desks are available in bulk packaging for even greater savings. But no matter what quantity you need, comfort of mind is found with a 10-year warranty – you will not have to worry about replacing your investment anytime soon! Available with adjustable legs, as a stand up version, and as an ADA crank or ADA electric. We even offer a matching teacher's desk with storage.

Size Options
Widths: 36", 44", 48", 60", 72" Depths: 24"D or 30"D

Options & Accessories
Page 4

Color Options

Standard laminate / color combinations

- Wild Cherry / Black (CHB)
- Indigo Organix / Dark Gray (ID)
- Bannister Oak / Putty (KP)

Standard color combination refers to the quickest deliverable product color combination. Custom laminates and color combinations are available-additional lead-times and up-charges may apply. Call 1-800-235-1262 for further information.

Features and Benefits

- Available in 24" or 30" deep versions
- Scratch and impact-resistant 1 1/8" high-pressure laminate worksurface
- Cord channel conveniently keeps computer wires and cables out of the way and is wide enough for most power strips
- Legs located at edges of desk maximize leg room
- Connectable worksurfaces and a wide variety of optional accessories allow easy adaptation to unique classroom environments
- Full-length flip-top door for easy cable and wire-access
- Solid oak chair rail protects wires and cables, and the back of the desk
- Steel modesty panel adds strength and stability
- Wider desks include hat-brace support to minimize flexing
- Leveling glides keep desk level on uneven surfaces
- User-friendly, bullnose radiused front edge on worksurface
- Attractive steel insert panels
- Available adjustable-height (ADJ) legs provide worksurface height adjustability
- Warranted to be free of all defects in materials and workmanship with a 10-year warranty

Construction

- The worksurface is constructed from 1 $\frac{1}{16}$ " thick NAUF (No Added Urea Formaldehyde) composite board with .030 high-pressure laminate on one face, and a balancing phenolic backer on the opposing face
- Left and right-side worksurface edges are finished with 3mm vinyl edge-band
- All metal components are finished with a scratch-resistant powder coat epoxy
- Worksurface support (48", 60", & 72" desks only) is 14-gauge steel
- Welded, 16-gauge 1" x 2" rectangular steel tube legs
- Bottom leg rail includes weld-nuts for attaching glides or wheels
- 20-gauge cord channel/modesty panel and leg insert panels
- Chair rail is $\frac{1}{4}$ " #1 select red oak, finished with a catalyzed top coat
- Post-formed bullnose on worksurface front edge
- Evolution desks are shipped knocked-down (KD) and require assembly

Specifications

Worksurface (uninterrupted depth)	20"D (24"D) 25 $\frac{5}{8}$ "D (30"D)
Cord channel	3"D x 5 $\frac{1}{2}$ "H (24"D) 5"D x 5 $\frac{1}{2}$ "H (30"D)
Worksurface heights with adjustable legs	24"-32"H in 1" increments
Legroom heights with adjustable legs	23"-31"H in 1" increments
Optional adjustable CPU sling (95500)	8"-10"W x 17 $\frac{1}{2}$ "D x 21"-23"H
Optional narrow adjustable CPU sling (95513)	5"-8 $\frac{1}{2}$ "W x 18"D x 18"H

Shipping weights (nominal)

30"D x 27"H:

79 lbs - 38901 - (36"W)
89 lbs - 38902 - (44"W)
102 lbs - 38903 - (48"W)
115 lbs - 38904 - (60"W)
134 lbs - 38905 - (72"W)

24"D x 27"H:

75 lbs - 38912 - (36"W)
85 lbs - 38913 - (44"W)
97 lbs - 38914 - (48"W)
109 lbs - 38915 - (60"W)
127 lbs - 38916 - (72"W)

Note: Evolution desks are available in bulk pack quantities of 24 (up to 44" wide) and 12 (48" wide and wider.) Although there is cost-savings of consolidating into bulk packaging, access to a truck-height loading dock, forklift, or other means of unloading the pallets from the truck is necessary.

Bulk pack weights

30"D x 27"H:

1704 lbs - 38901 - (36"W) qty 24
1920 lbs - 38902 - (44"W) qty 24
1080 lbs - 38903 - (48"W) qty 12
1284 lbs - 38904 - (60"W) qty 12
1404 lbs - 38905 - (72"W) qty 12

24"D x 27"H:

1608 lbs - 38912 - (36"W) qty 24
1848 lbs - 38913 - (44"W) qty 24
1020 lbs - 38914 - (48"W) qty 12
1188 lbs - 38915 - (60"W) qty 12
1380 lbs - 38916 - (72"W) qty 12

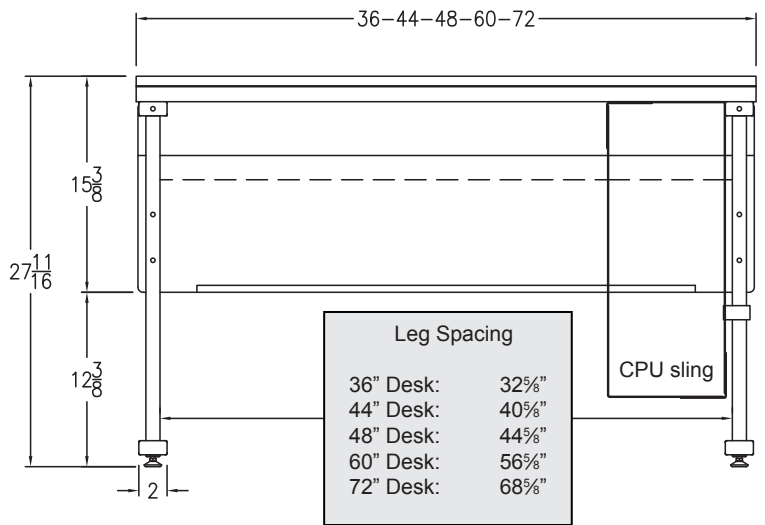
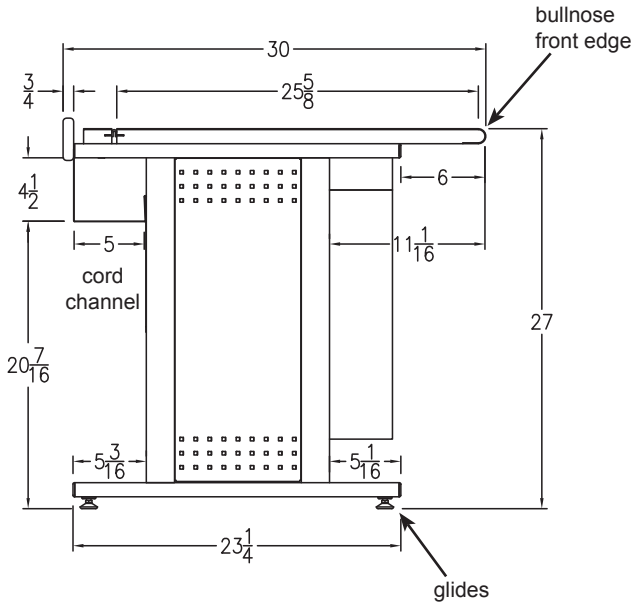
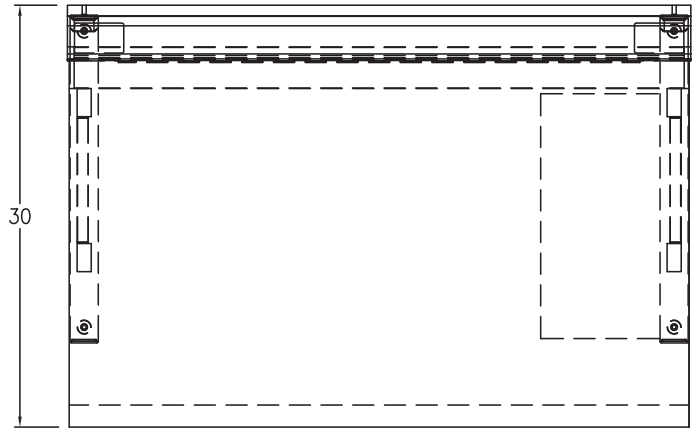
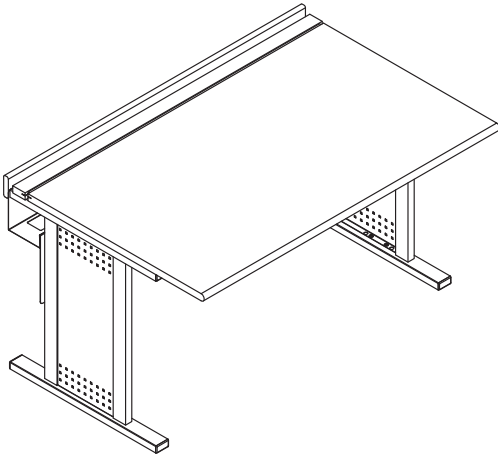
Meets or exceeds applicable ANSI-BIFMA test standards

Specifications subject to change without notice



Note: Minimum ADA guidelines for knee clearances are 30"W x 19"D x 27"H. Spectrum recommends adjustable legs be specified when an ADA-compliant desk is needed.

Evolution Desk (30"D)
(shown with optional 95500 CPU sling)

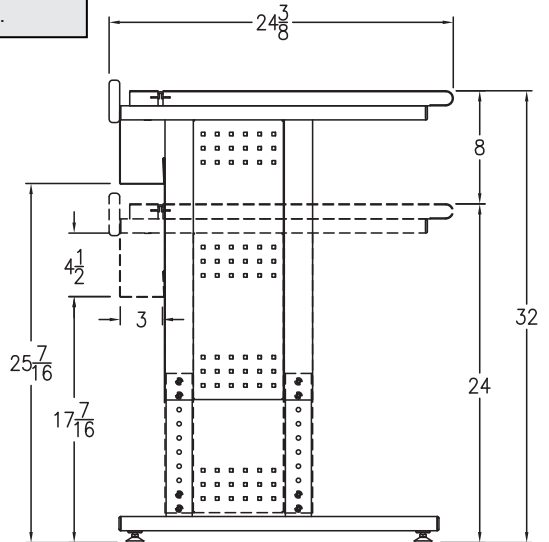
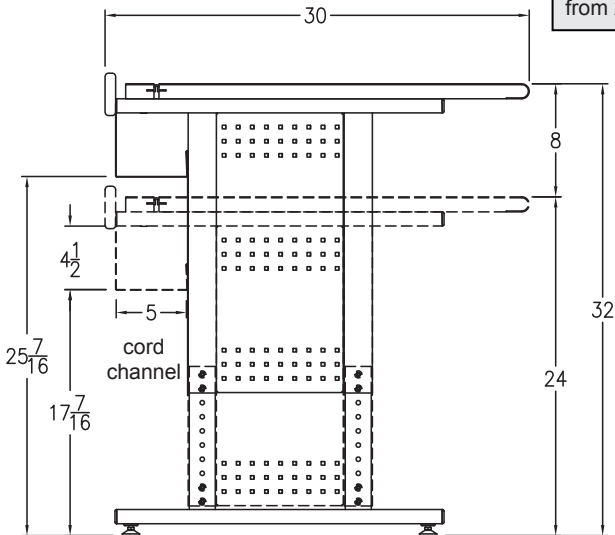


Note: When determining leg spacing on Evolution desks with an optional CPU sling (95500 shown,) subtract 7 7/8", 8 7/8", or 9 7/8" (adjustable sling widths) from the leg spacing dimension. When using a narrow CPU sling, (95513) subtract 5"-to-8 1/2" (depending on width of CPU.)

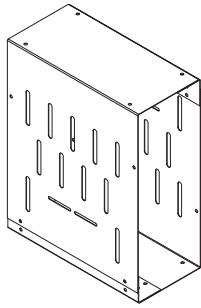
30"D Evolution with adjustable legs (ADJ)

Note: Adjustable legs allow the desk worksurface height to be adjustable from 24"-32" in 1" increments.

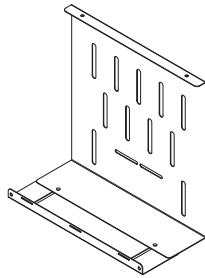
24"D Evolution with adjustable legs (ADJ)



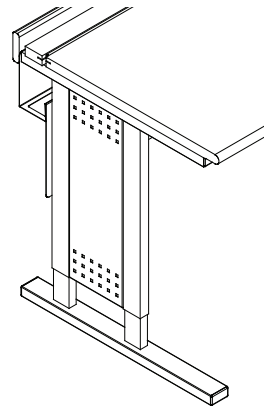
Options



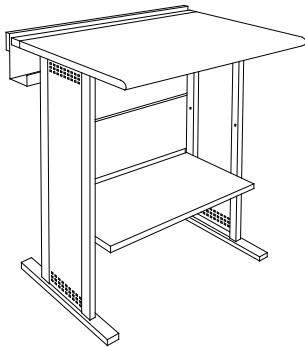
Adjustable CPU sling
for standard-sized CPU's
8"-10"W x 17½"D x 21"-23"H
95500



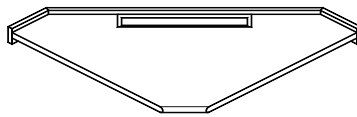
Adjustable narrow CPU sling
for narrow/small CPU's
5"-8½"W x 18"D x 18"H
95513



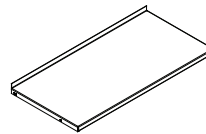
Adjustable legs 24"-32"H
(see p.1 for part numbers)
389XXADJ



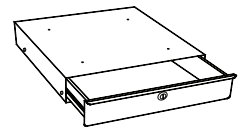
Evolution stand-up desk
30"D x 38"H
includes left & right CPU
sling mounting holes
38930 (36"W)
38931 (44"W)



90° Inside corner
38906 (30" D)
38917 (24" D)

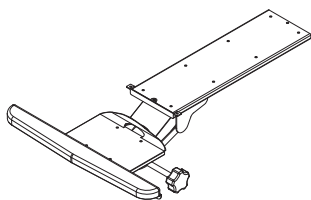


Shelf for stand-up desks
36" (29"W x 16"D) - 0101657
44" (37"W x 16"D) - 0101658

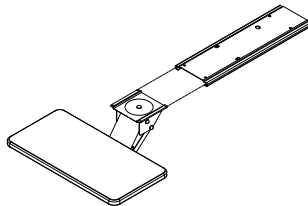


Universal laptop drawer
16½"W x 18"D x 3¾"H
95510

Note: Adjustable-legs (ADJ) are recommended when using keyboard trays to provide sufficient leg room. 95520 & 95506 will not fit 24"D desks-use with 30"D desks only.



Econo keyboard tray
18¾"W x 12"D
95520



Micro-arm keyboard tray
19¾"W x 10"D
95506

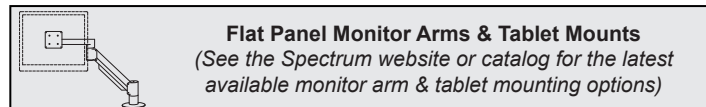


3" Locking casters
(set of 4), 2 locking, 2 non-locking
($\frac{3}{16}$ "-18 x $\frac{3}{4}$ " stem)
(weight capacity of 110 lbs each)
98508

Note: If casters are installed on desks connected with unit-to-unit brackets, interference will occur between casters. Using unit-to-unit brackets on desks with casters is not recommended.

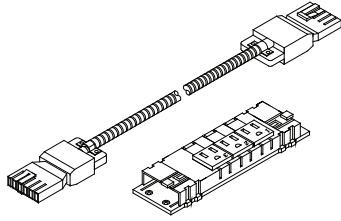


Mouse arm for Econo keyboard tray
8"W x 8"D
95519

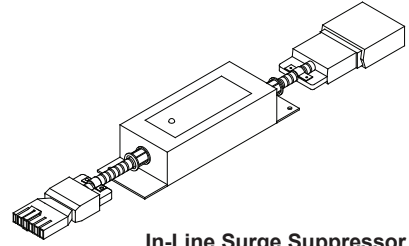


Flat Panel Monitor Arms & Tablet Mounts
(See the Spectrum website or catalog for the latest available monitor arm & tablet mounting options)

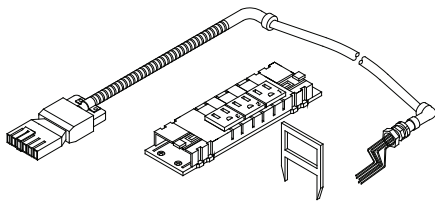
EP8 Kits & Accessories



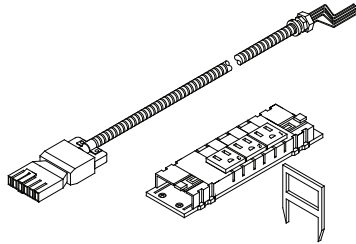
EP8 Kit for 30" Desk - 99014
36" Desk - 99008
44" Desk - 99009
48" Desk - 99018
60" Desk - 99010
72" Desk - 99011
Corner Printer - 99012
Center Printer - 99013



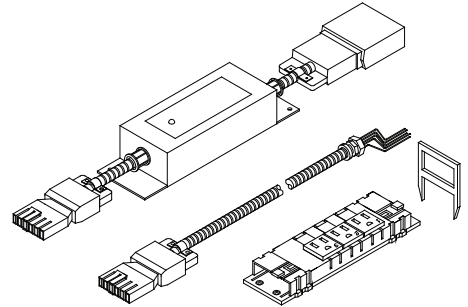
In-Line Surge Suppressor
99016



Base Power Feed
(w/ 36" flexible cord & 90° elbows)
99015



Base Power Feed
w/ 36" flexible cord
99022



Starter Surge Suppressor
w/ 12' pigtail cable
99017

Warranty

WE WILL MAKE IT RIGHT FOR YOU!

Spectrum is committed to provide complete customer satisfaction. Each of our products are manufactured from the best materials available and each product is stringently monitored throughout the production process through our P.A.C.E. program (Product Assurance to meet Customer Expectations). Our Customer Service Help Line 1-800-235-1262 is ready to provide immediate attention to any questions, comments or concerns. We are available to answer your calls Monday through Friday from 7 am to 5 pm CST, excluding observed holidays. In addition your product comments or concerns are welcome via e-mail at: spectrum@spectrumfurniture.com.

Warranty Statement

We guarantee all Spectrum products to be free of all defects in materials and workmanship, for the original owner, for a period of ten years. Any item deemed defective by Spectrum or the original manufacturer, under normal use conditions, will be repaired or replaced at Spectrum's discretion. This warranty applies to all products manufactured and distributed by Spectrum except the products listed below.

Items that have a varying warranty include, but are not limited to, the following:

- Adjustable Crank/Electric Desk Legs (1 yr)
- Flat Panel Desk Gas Cylinders (1 yr)
- Upholstered Soft-Goods (5 yrs)
- Adjustable Height & Stacking Chair Parts – including frames, gas cylinders, wood and plastic parts, and control handles (7 yrs)
- Adjustable Height & Stacking Chair Casters (2 yrs)
- Chair Upholstery & Textiles (2 yrs of normal use of Soft Goods, Adjustable Height, Stacking, Wood and Metal Chairs)
- Chair Upholstery - Graded-In Fabrics and C.O.M (no warranty)
- Height Adjustable Columns and Lifts (1 yr)
- General Use Casters (1 yr)
- Electrical – Electri-Pak, Power Communication Modules, and special order ECA electrical items (1 yr)
- Electrical - Power Strips & Electrical Timers (1 yr)
- Electrical Surge Suppressors (lifetime)
- Electrical - Retractable Power Cords (1 yr)
- Keyboard/Mouse Trays (1 yr)
- Flat Panel Monitor Arm – General Parts (5 yrs)
- Flat Panel Monitor Arm – Gas Cylinders (2 yrs)
- CRT Monitor Arm (1 yr)

Warranty is void if product is not used for its intended purpose or subjected to an unusual application, multiple-shift use, alteration, accident, abuse or abnormal wear and tear. Representations of colors on-line and in printed materials are meant to be a close reference to the actual colors but not an exact match. Slight variations in color and texture of wood stains, powder coating, laminates, fabrics and other materials are normal in different manufacturing lots; as such these variations are not considered defects.

DESIGNED FOR INDOOR USE ONLY – Unless specifically stated in the product specifications, Spectrum's products have been designed and constructed for indoor use only. Moving or using outdoors, or on excessively rough surfaces, may cause damage to the products and will void the warranty. If an outdoor application is desired please contact us to discuss potential custom design solutions.

The warranty, as stated above, supersedes any previous warranties and is effective as of 9/1/2010



Touchboards

205 Westwood Ave, Long Branch, NJ 07740
Phone: 866-94 BOARDS (26273) / (732)-222-1511
Fax: (732)-222-7088 | E-mail: sales@touchboards.com