

Assembly Instructions:

SMALL PARTS LIST (per desk)

1/4-20 X 5/8"
Pan Head Machine Screw
(10) #026064 (Black)
(12) for 48", 60" & 72"
Desks

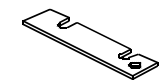
Glide Wrench
(1) #025069

1/4-20 X 1-3/4"
Pan Head Machine Screw
(4) #041289 (Silver)

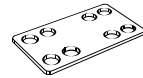
Chair Rail Bracket
(1) #051024P
for 48" 60 & 72" Only

Glide
5/16-18 x 1-5/8"
(4) #025068

1/4-20 x 2"
Flat Head Machine Screw
(2) #043771
(3) for 48", 60" & 72"
Desks

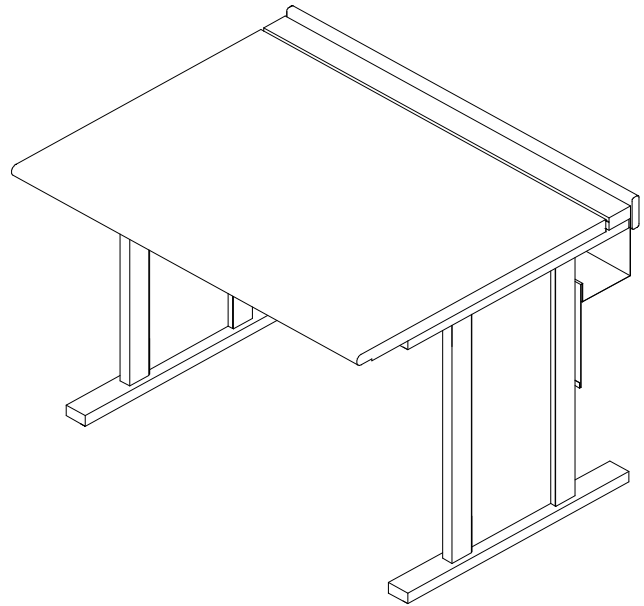


Rear Unit to
Unit
Bracket
(1) #052463



Dual Unit-to-unit
Bracket
(1) 036281

TOOLS REQUIRED FOR ASSEMBLY:
#2 phillips screwdriver



36 - 72 EVOLUTION DESK

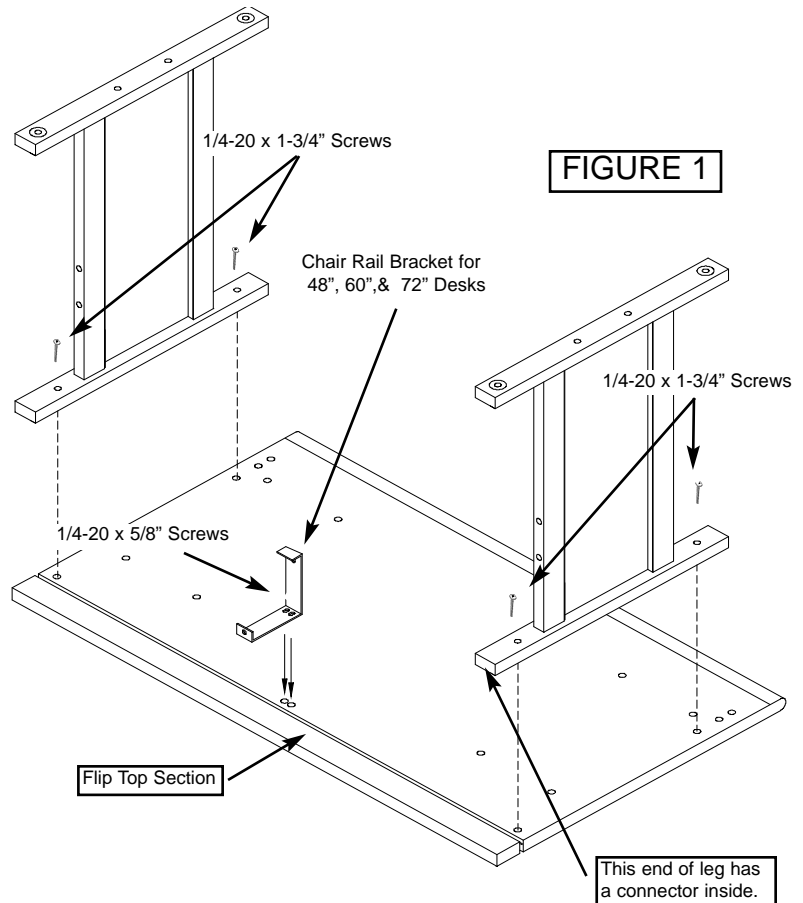
Before you begin, please make sure all parts and proper quantities are included. Any parts damaged during shipment must be reported within 15 days of receipt. To report information regarding damages or if you have any questions, please call 1-800-235-

1 ATTACHING LEGS TO WORKSURFACE

A: Position legs, attach with 4 of the 1-3/4" silver screws (do not tighten screws completely at this point). See Figure 1.

For 48", 60" & 72" desks only...

B: Attach chair rail bracket with 2 of the 5/8" screws (Tighten these screws).



Touchboards

205 Westwood Ave, Long Branch, NJ 07740
Phone: 866-94 BOARDS (26273) / (732)-222-1511
Fax: (732)-222-7088 | E-mail: sales@touchboards.com

SPECTRUM
INDUSTRIES INC.

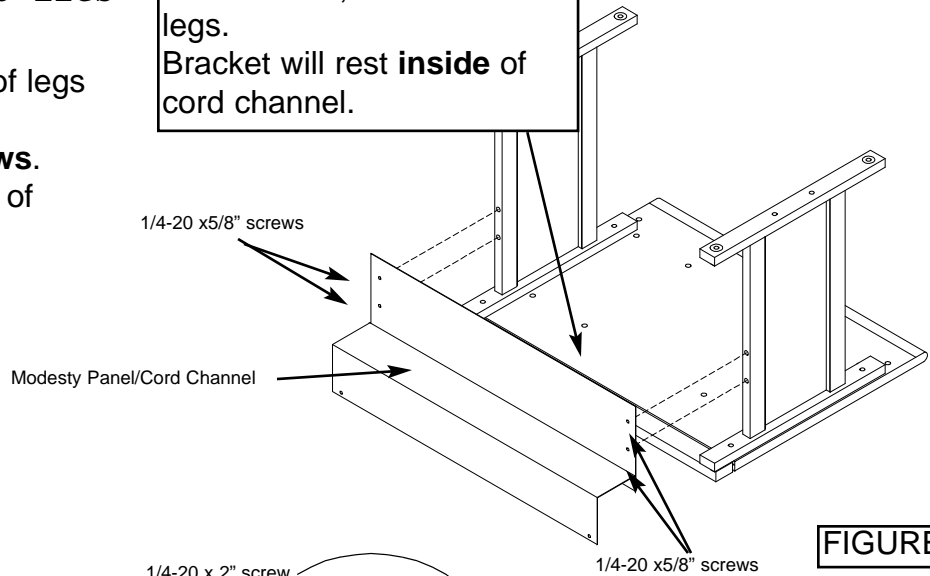
2 ATTACHING MODESTY PANEL/CORD CHANNEL TO LEGS

A: Attach Modesty Panel/Cord Channel to back of legs as shown in FIGURE 2 with 4 of the **5/8" screws**.

B: Install **glides** in bottom of leg at this point.

Tighten all screws now.

NOTE: If using chair rail bracket, slide cord channel over bracket, then attach to legs. Bracket will rest **inside** of cord channel.



3 ATTACHING CHAIR RAIL

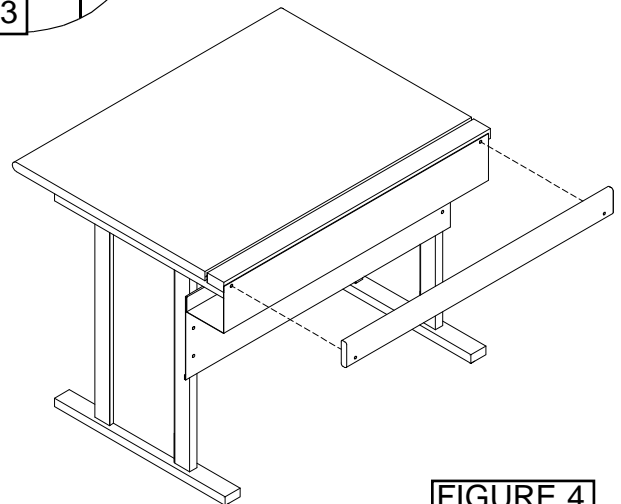
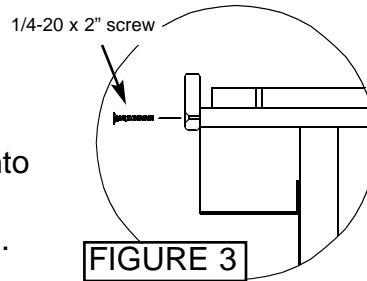
A: Stand desk upright. Attach chair rail using 2 of the **2" flat head screws** into the connectors in back of legs (the countersunk holes are down and out). See FIGURE 3 & FIGURE 4.

For 48", 60" & 72" desks only...

B: Attach chair rail to **chair rail bracket** with 1 - **2" flat head screw**.

(Chair rail bracket may require adjustment for proper alignment.)

C: Tighten screws.



4 ATTACHING DESKS TOGETHER

A: The unit to unit brackets secure one desk to another, the front side is attached using 4 of the **5/8" screws** for the **dual unit to unit bracket**. See FIGURE 5.

B. The rear attachment is done by backing out the leg screw part way and sliding the **rear unit to unit bracket** under the screw head and tighten. See FIGURE 6.

