

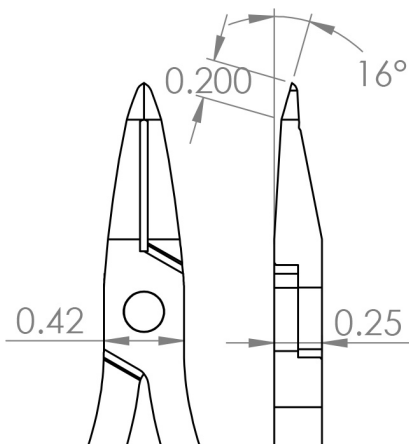
TECHNICAL DATA SHEET

Part#: 7170EA

Cutters - Long Nose Fine .03" x .02" Tip - Relieved Head
Ideal for cutting leads (.020") in a confined space - features a small .20" cutting blade

The 7170EA Lazer Line[®] small fine tip laser flush cutter has a cutting capacity of .001" - .020" soft wire. It is made of carbon tool steel steel with induction hardened cutting blades to RHC 63-65. This overall length is 6". The CNC machining allows the joint surfaces to be perfect to allow for long life. The Anti-Static grips are soft cushioned foam and have a surface resistivity of 10^{10} ohms/sq. The dual leaf springs provide smooth action.

- Precision Level ★★★★★
- Material Carbon
- Surface Resistivity 10^{10} ohms/sq
- Shape Relieved Head
- Type of Cut Lazer Flush
- Cutting Capacity .001 - .020"
- Blade Angle 16°
- Blade Length .285" (7.13mm)
- Body Width 0.42" (10.5mm)
- Body Height
- OAL 6.25" (156.25mm)
- Weight (OZ) 3
- UPC 662847009273
- Schedule B 8203.20.60.60
- ECCN EAR99
- UNSPSC Code 27111511
- Country of Origin USA
- Group Long Nose Fine Tip



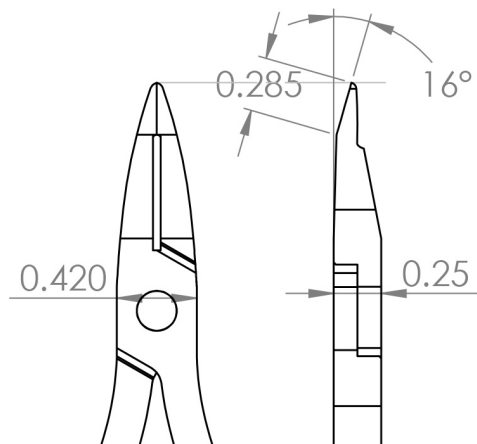
TECHNICAL DATA SHEET

Part#: 7170E

Cutters - Long Nose Fine .02" x .02" Tip - Relieved Head
Ideal for cutting leads (.020") in a confined space - features a small .285" cutting blade

The 7170E Lazer Line[®] medium fine tip laser flush cutter has a cutting capacity of .001" - .020" soft wire. It is made of carbon tool steel steel with induction hardened cutting blades to RHC 63-65. This overall length is 6". The CNC machining allows the joint surfaces to be perfect to allow for long life. The Anti-Static grips are soft cushioned foam and have a surface resistivity of 10¹⁰ ohms/sq. The dual leaf springs provide smooth action.

• Precision Level	★★★★★
• Material	Carbon
• Surface Resistivity	10 ¹⁰ ohms/sq
• Shape	Relieved Head
• Type of Cut	Lazer Flush
• Cutting Capacity	.001 - .020"
• Blade Angle	16°
• Blade Length	.28"
• Body Width	0.42" (10.5mm)
• Body Height	
• OAL	6.25" (156.25mm)
• Weight (OZ)	3
• UPC	662847009266
• Schedule B	8203.20.60.60
• ECCN	EAR99
• UNSPSC Code	27111511
• Country of Origin	USA
• Group	Long Nose Fine Tip



TECHNICAL DATA SHEET

Part#: 7270E

Cutters - Long Nose Fine .02" x .02" Tip - Relieved Head - Short Handle
Ideal for cutting leads (.020") in a confined space - features a small .285" cutting blade

The 7270E Lazer Line[®] medium fine tip laser flush cutter has a cutting capacity of .001" - .020" soft wire. It is made of carbon tool steel steel with induction hardened cutting blades to RHC 63-65. This overall length is 5.75". The CNC machining allows the joint surfaces to be perfect to allow for long life. It features a ergonomically molded antimicrobial Anti-Static grip (10¹⁰ ohms/sq surface resistivity) with dual leaf springs.

• Precision Level	★★★★★
• Material	Carbon
• Surface Resistivity	10 ¹⁰ ohms/sq
• Shape	Relieved Head
• Type of Cut	Lazer Flush
• Cutting Capacity	.001 - .020"
• Blade Angle	16°
• Blade Length	.285" (7.13mm)
• Body Width	0.42" (10.5mm)
• Body Height	
• OAL	4.75" (118.75mm)
• Weight (OZ)	3
• UPC	662847009617
• Schedule B	8203.20.60.60
• ECCN	EAR99
• UNSPSC Code	27111511
• Country of Origin	USA
• Group	Long Nose Fine Tip

