

## TECHNICAL DATA SHEET

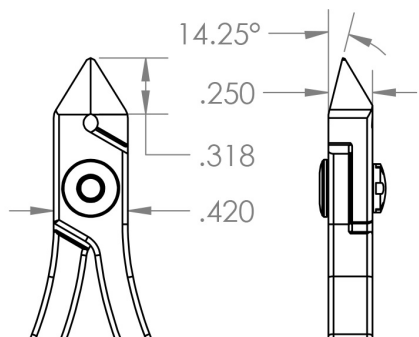
Part#: 7143E

### Cutters - Medium Taper Head - Semi-Flush

Designed for maximum tool life, cutting up to .045" diameter soft wire

The 7143E Lazer Line<sup>®</sup> medium tapered semi-flush flush cutter has a cutting capacity of .008" - .036" soft wire. It is made of carbon tool steel with induction hardened cutting blades to RHC 63-65. The CNC machining allows the joint surfaces to be perfect to allow for long life. The Anti-Static grips are soft cushioned foam and have a surface resistivity of  $10^{10}$  ohms/sq. The dual leaf springs provide smooth action.

• Precision Level	★★★★★
• Material	Carbon
• Surface Resistivity	$10^{10}$ ohms/sq
• Shape	Taper Head
• Type of Cut	Semi-Flush
• Cutting Capacity	.008 - .045"
• Blade Angle	14.25°
• Blade Length	.36" (9mm)
• Body Width	0.42" (10.5mm)
• Body Height	.25"
• OAL	5.75" (143.75mm)
• Weight (OZ)	3
• UPC	662847009174
• Schedule B	8203.20.60.60
• ECCN	EAR99
• UNSPSC Code	27111511
• Country of Origin	USA
• Group	Medium Cutters - 7000 Series



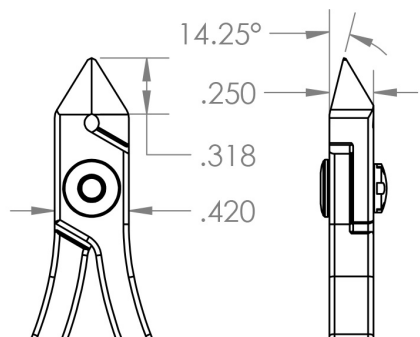
## TECHNICAL DATA SHEET

Part#: 7243E

**Cutters - Medium Taper Head - Semi-Flush - Short Handle**  
Designed for maximum tool life, cutting up to .045" diameter soft wire

The 7243E Lazer Line<sup>®</sup> medium tapered semi-flush flush cutter has a cutting capacity of .008" - .036" soft wire. It is made of carbon tool steel with induction hardened cutting blades to RHC 63-65. The CNC machining allows the joint surfaces to be perfect to allow for long life. The dual leaf springs provide a smooth action. It features an ergonomically molded antimicrobial Anti-Static grip (10<sup>10</sup> ohms/sq surface resistivity) with dual leaf springs.

• Precision Level	★★★★★
• Material	Carbon
• Surface Resistivity	10 <sup>10</sup> ohms/sq
• Shape	Taper Head
• Type of Cut	Semi-Flush
• Cutting Capacity	.008 - .045"
• Blade Angle	14.25°
• Blade Length	.36" (9mm)
• Body Width	0.42" (10.5mm)
• Body Height	.25"
• OAL	4.75" (118.75mm)
• Weight (OZ)	3
• UPC	662847009525
• Schedule B	8203.20.60.60
• ECCN	EAR99
• UNSPSC Code	27111511
• Country of Origin	USA
• Group	Medium Cutters - 7000 Series



## TECHNICAL DATA SHEET

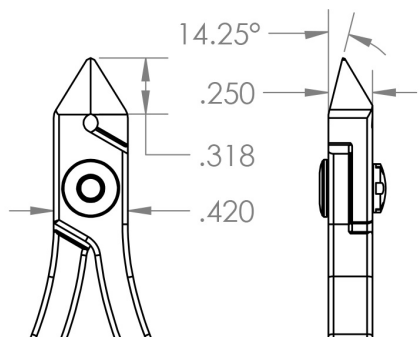
Part#: 7144E

### Cutters - Medium Taper Head - Optimum Flush

Designed for cutting .042" soft wire leaving a small 'pinch' on the wire

The 7144E Lazer Line<sup>®</sup> medium tapered optimum flush cutter has a cutting capacity of .005" - .042" soft wire. It is made of carbon tool steel with induction hardened cutting blades to RHC 63-65. The CNC machining allows the joint surfaces to be perfect to allow for long life. The Anti-Static grips are soft cushioned foam and have a surface resistivity of  $10^{10}$  ohms/sq. The dual leaf springs provide smooth action.

• Precision Level	★★★★★
• Material	Carbon
• Surface Resistivity	$10^{10}$ ohms/sq
• Shape	Taper Head
• Type of Cut	Optimum Flush
• Cutting Capacity	.005 - .042"
• Blade Angle	14.25°
• Blade Length	.36" (9mm)
• Body Width	0.42" (10.5mm)
• Body Height	.25"
• OAL	5.75" (143.75mm)
• Weight (OZ)	3
• UPC	662847009181
• Schedule B	8203.20.60.60
• ECCN	EAR99
• UNSPSC Code	27111511
• Country of Origin	USA
• Group	Medium Cutters - 7000 Series



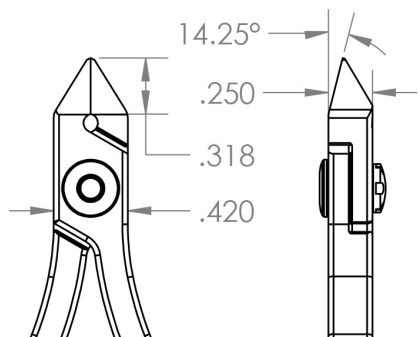
## TECHNICAL DATA SHEET

Part#: 7244E

**Cutters - Medium Taper Head - Optimum Flush - Short Handle**  
Designed for cutting .042" soft wire leaving a small 'pinch' on the wire

The 7244E Lazer Line<sup>®</sup> medium tapered optimum flush cutter has a cutting capacity of .005" - .042" soft wire. It is made of carbon tool steel with induction hardened cutting blades to RHC 63-65. The CNC machining allows the joint surfaces to be perfect to allow for long life. The dual leaf springs provide a smooth action. It features a ergonomically molded antimicrobial Anti-Static grip (10<sup>10</sup> ohms/sq surface resistivity) with dual leaf springs.

• Precision Level	★★★★★
• Material	Carbon
• Surface Resistivity	10 <sup>10</sup> ohms/sq
• Shape	Taper Head
• Type of Cut	Optimum Flush
• Cutting Capacity	.005 - .042"
• Blade Angle	14.25°
• Blade Length	.36" (9mm)
• Body Width	0.42" (10.5mm)
• Body Height	.25"
• OAL	4.75" (118.75mm)
• Weight (OZ)	3
• UPC	662847009532
• Schedule B	8203.20.60.60
• ECCN	EAR99
• UNSPSC Code	27111511
• Country of Origin	USA
• Group	Medium Cutters - 7000 Series





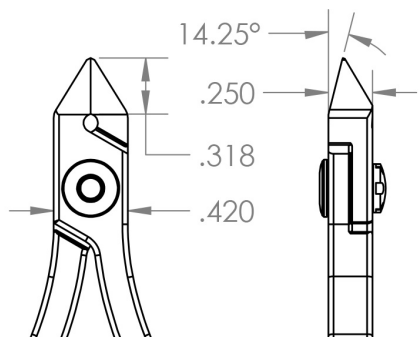
## TECHNICAL DATA SHEET

Part#: 7145E

**Cutters - Medium Taper Head - Laser Flush**  
Designed for cutting .040" soft wire leaving no 'pinch' on the wire

The 7145E Lazer Line<sup>®</sup> medium tapered laser flush cutter has a cutting capacity of .001" - .045" soft wire. It is made of carbon tool steel with induction hardened cutting blades to RHC 63-65. The CNC machining allows the joint surfaces to be perfect to allow for long life. The Anti-Static grips are soft cushioned foam and have a surface resistivity of 10<sup>10</sup> ohms/sq. The dual leaf springs provide smooth action.

• Precision Level	★★★★★
• Material	Carbon
• Surface Resistivity	10 <sup>10</sup> ohms/sq
• Shape	Taper Head
• Type of Cut	Lazer Flush
• Cutting Capacity	.001 - .040"
• Blade Angle	14.25°
• Blade Length	.36" (9mm)
• Body Width	0.42" (10.5mm)
• Body Height	.25"
• OAL	5.75" (143.75mm)
• Weight (OZ)	3
• UPC	662847009198
• Schedule B	8203.20.60.60
• ECCN	EAR99
• UNSPSC Code	27111511
• Country of Origin	USA
• Group	Medium Cutters - 7000 Series



## TECHNICAL DATA SHEET

Part#: 7245E

**Cutters - Medium Taper Head - Laser Flush - Short Handle**  
Designed for cutting .040" soft wire leaving no 'pinch' on the wire

The 7245E Lazer Line<sup>®</sup> medium tapered laser flush cutter has a cutting capacity of .001" - .040" soft wire. It is made of carbon tool steel with induction hardened cutting blades to RHC 63-65. The CNC machining allows the joint surfaces to be perfect to allow for long life. The dual leaf springs provide a smooth action. It features an ergonomically molded antimicrobial Anti-Static grip (10<sup>10</sup> ohms/sq surface resistivity) with dual leaf springs.

• Precision Level	★★★★★
• Material	Carbon
• Surface Resistivity	10 <sup>10</sup> ohms/sq
• Shape	Taper Head
• Type of Cut	Lazer Flush
• Cutting Capacity	.001 - .040"
• Blade Angle	14.25°
• Blade Length	.36" (9mm)
• Body Width	0.42" (10.5mm)
• Body Height	.25"
• OAL	4.75" (118.75mm)
• Weight (OZ)	3
• UPC	662847009549
• Schedule B	8203.20.60.60
• ECCN	EAR99
• UNSPSC Code	27111511
• Country of Origin	USA
• Group	Medium Cutters - 7000 Series

