

TECHNICAL DATA SHEET

Part#: 5-CO

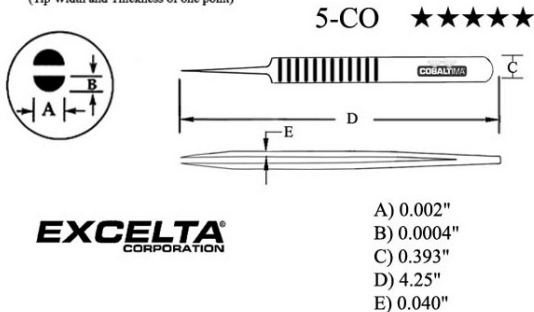
Tweezers - Straight Tapered Ultra Fine Point - Cobalt
 Ultimate tweezers for high power microscopy featuring extremely tapered tips for excellent visibility.

The 5-CO Cobaltima® tapered extra fine pointed tweezer with tips .002" wide x .0004" high is ideal for microscopy. The tweezer is made of a cobalt alloy, which is extremely hard, temperature resistant to 932°F and corrosion resistant. The body is .04" in thickness for light pressure use. The tips are radius which eliminates marring and scratching of delicate parts and wires. The handles are serrated for more control.

- Precision Level ★★★★★
- Material Cobalt
- Surface Resistivity Conductive
- Shape Straight Tapered
- Tip Size .002" x .0004" (.05mm x .01mm)
- Tip Angle Straight
- Tip Length
- Body Width 0.393" (9.83mm)
- Body Height .0394" (1mm)
- OAL 4.25" (106.25mm)
- Weight (OZ) 1
- UPC 662847002656
- Schedule B 8203.20.20.00
- ECCN EAR99
- UNSPSC Code 27112105
- Country of Origin Switzerland
- Group Straight Cobaltima®



C.T.M.
 Critical Tip Measurements
 (Tip Width and Thickness of one point)



EXCELTA
 CORPORATION