

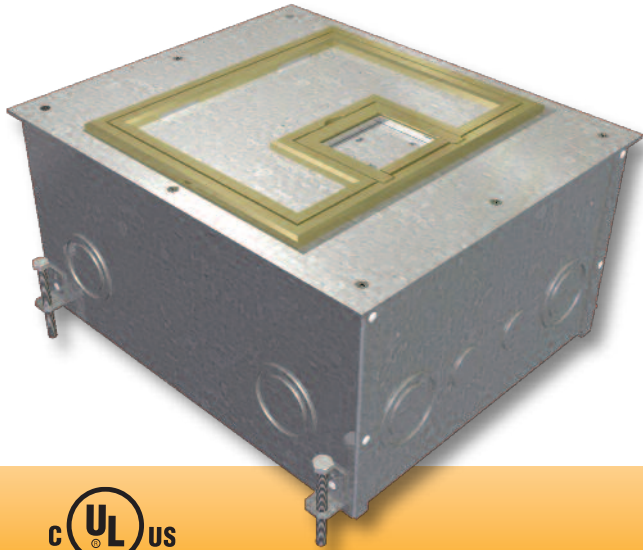
FL-500P Floor Box

Touchboards

205 Westwood Ave, Long Branch, NJ 07740
Phone: 866-94 BOARDS (26273) / (732)-222-1511
Fax: (732)-222-7088 | E-mail: sales@touchboards.com

FSR

Metal Products Group



NEW "TOOL-LESS" COVER DESIGN!

The cable access door can be easily removed by lifting the integrated U-Access handle to quickly access the interior compartment, connectors, and cables.

- 11-gauge steel temporary construction cover included
- 11-gauge finished steel cover with choice of carpet edging
- Mitered brass or aluminum carpet edging .5" or .25" high
- Stainless steel compression latches
- Lift-off full access door

Scrub water approved for carpet, tile, and wood floors!

DESCRIPTION

Our FL-500P Floor Boxes combine rugged construction and an elegant design for use in carpet, tile, or wood covered floors over poured concrete applications. This makes it the perfect floor box for ballrooms, meeting rooms, public spaces, and high traffic areas. There is ample compartment room to accommodate power, audio, video, telecommunications, and data in one elegant and practical box.

There are a variety of covers to choose from. Options include integrated carpet edging, flat covers for non-carpeted, bare floor applications, and different finishes. The lift-off section of the cover allows full access to internal connector plates and stored cables. The hinged cable exit door flips back to allow the cover to remain in place after connections are made and cables are routed through it. The 0.25" and 0.5" raised edge style and solid covers are UL scrub water approved.

The innovation continues to the "transformable" box bottom. The FL-500P's internal brackets can be arranged to provide numerous options for both high and low voltage standard gang openings, making it the most flexible and easiest to install floor box available. Removable center dividers make passing cables through the various compartments a snap. Integral "Easy Pour" leveling feet are standard on all of the boxes. Several box depths are available. The 3" through 10" deep boxes are UL listed.

The unit includes all of the necessary internal plates and brackets to make "pre" and "post" pour compartment changes quick and easy. Using this system, both high and low voltage gang configurations, along with line voltage compartment isolation, can be implemented "on the fly". This makes just about any cabling / connector scenario possible.

SPECIFICATIONS

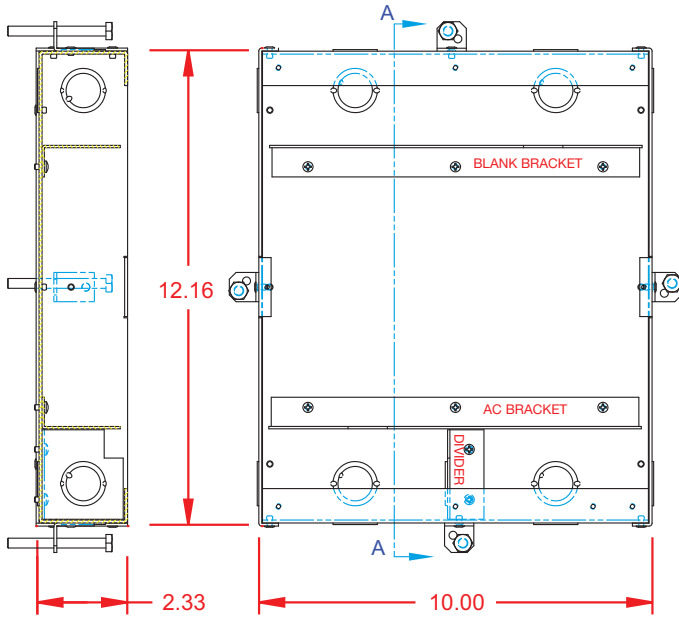
Size:	Box:	10" x 12" x depth
	Cover:	10.5" x 12.5" x .125"
Flanging:	Height:	.25" or .5"
	Material:	Brass or Aluminum Flat and Solid Covers also available

KNOCKOUT SPECIFICATIONS

FL-500P-2.25"	
KO trade size	Qty/Box
1/2" / 3/4" Concentric	12
FL-500P-3"	
KO trade size	Qty/Box
3/4"	4
1"	4
3/4" / 1" Concentric	8
1" / 1-1/4" Concentric	4
FL-500P-4"	
KO trade size	Qty/Box
3/4"	8
1.00" / 1-1/4" Concentric	4
1.00" / 1-1/4" / 1-1/2" Concentric	8
FL-500P-6" thru 10"	
KO trade size	Qty/Box
3/4"	8
1.00" / 1-1/4" / 1-1/2" Concentric	12

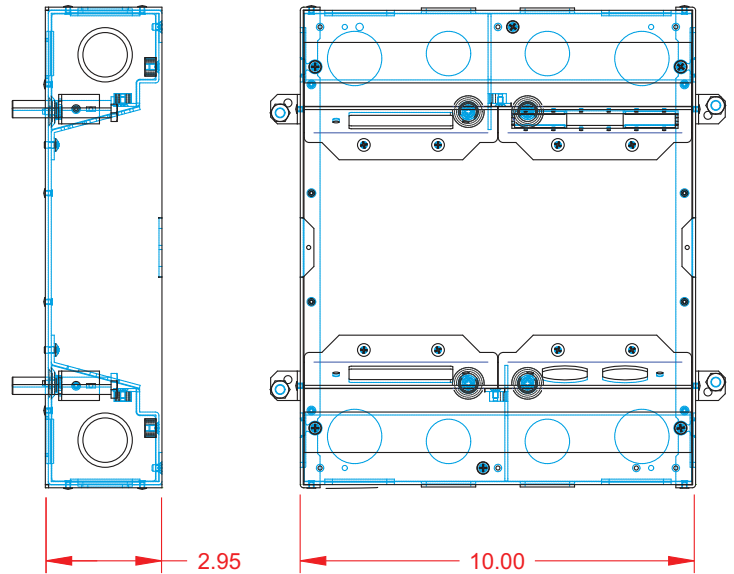
BOX BOTTOM DETAIL DRAWINGS

FL-500P-2.25-B 2.25" Deep



* Optional brackets available for these box bottoms.
See the ordering table for more information.

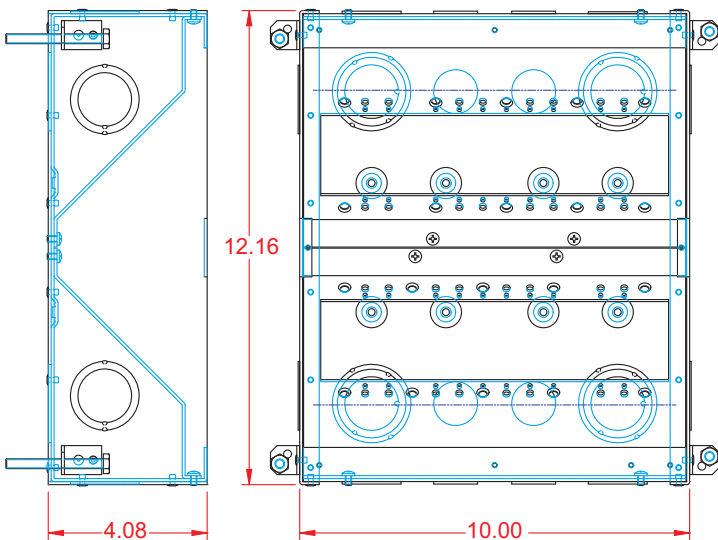
FL-500P-3-B 3" Deep



* Optional brackets available for these box bottoms.
See the ordering table for more information.



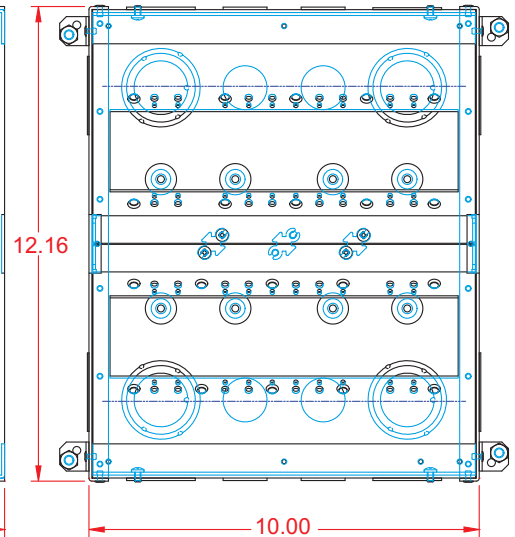
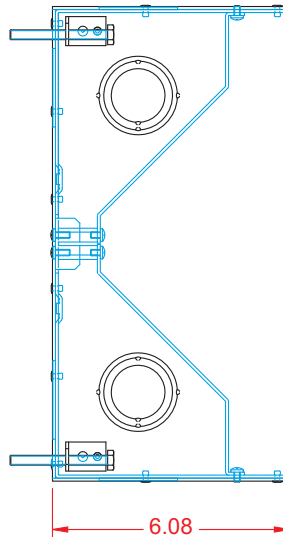
FL-500P-4-B 4" Deep



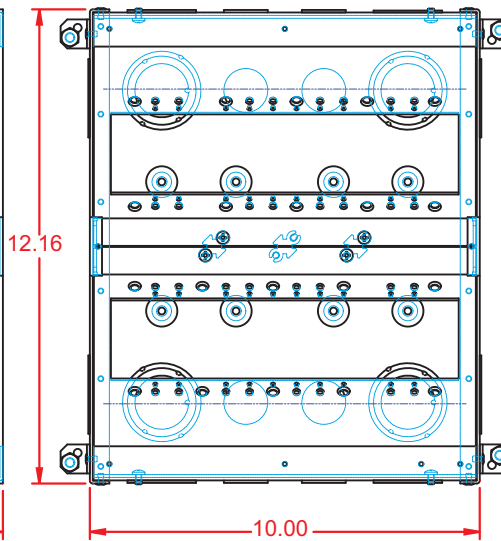
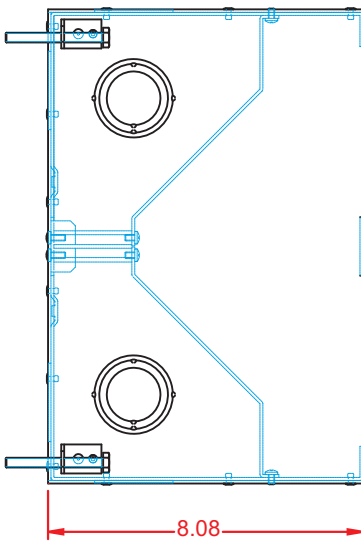
Touchboards

205 Westwood Ave, Long Branch, NJ 07740
Phone: 866-94 BOARDS (26273) / (732)-222-1511
Fax: (732)-222-7088 | E-mail: sales@touchboards.com

FL-500P-6-B 6" Deep



FL-500P-8-B 8" Deep



FL-500P-10-B 10" Deep

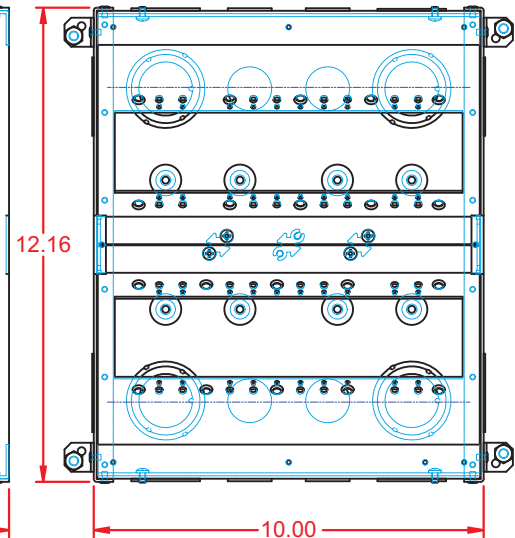
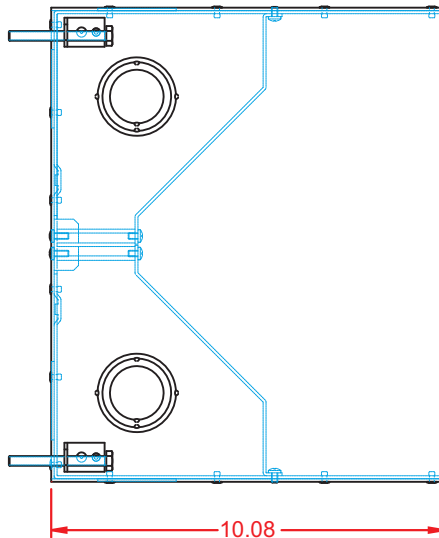


PLATE CONFIGURATIONS

The box contains two identical brackets and either side can be configured as shown using the included parts.

Plate Configuration 1-2

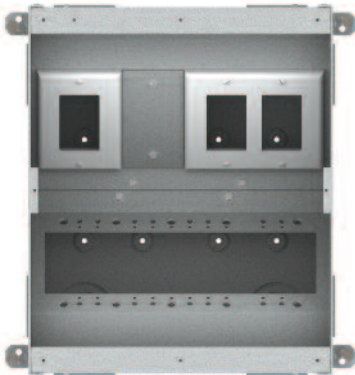


Plate Configuration 1-3

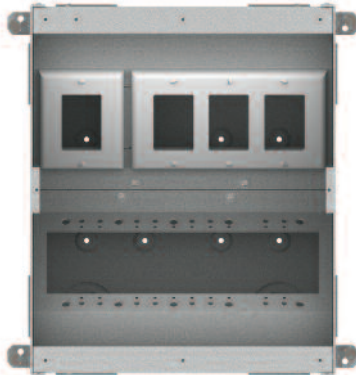


Plate Configuration 2-2

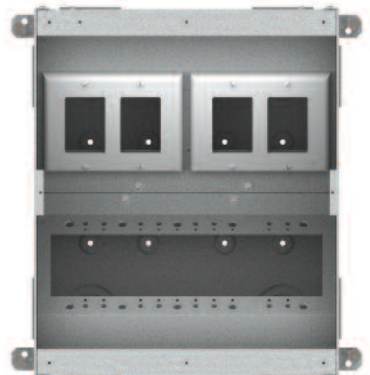


Plate Configuration 3-1

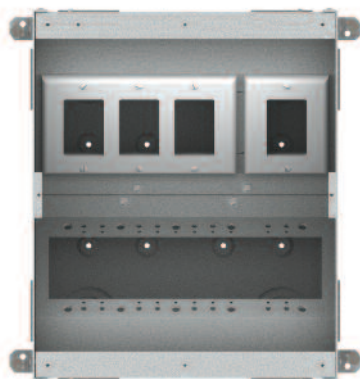
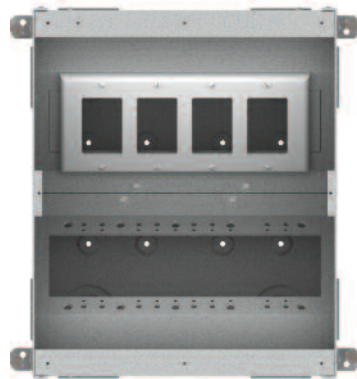


Plate Configuration 4



**Decora plates shown for reference only.*

FL-500P "TRANSFORMABLE" BOX BOTTOM

Only on 4" through 10" box bottoms.

GANG PLATE DIVIDERS

Add and remove as needed to form a multitude of gang arrangement possibilities

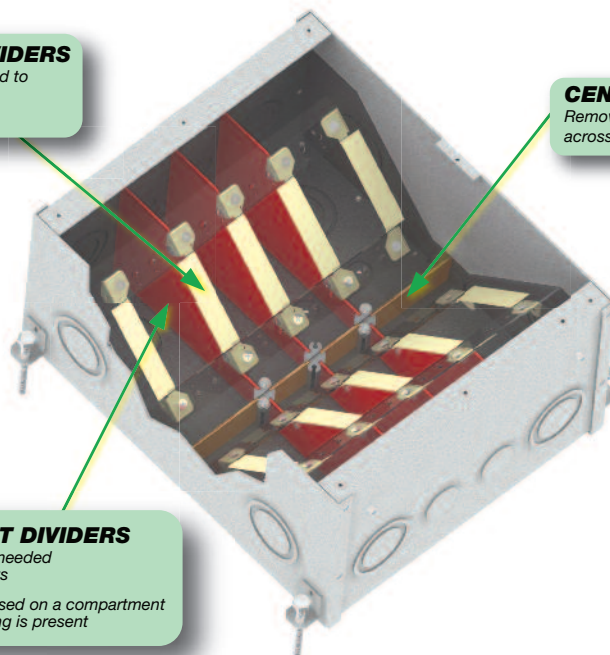
CENTER DIVIDERS

Remove to run cables across compartments

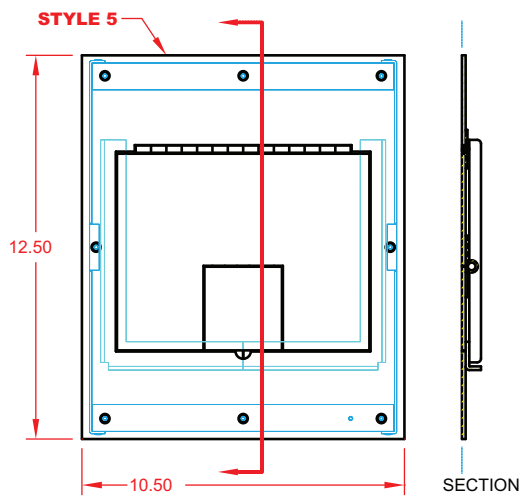
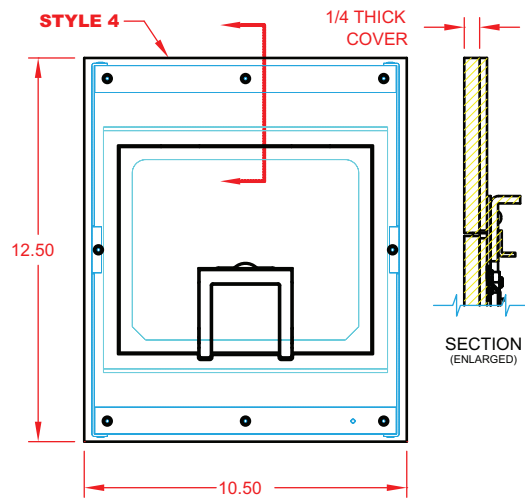
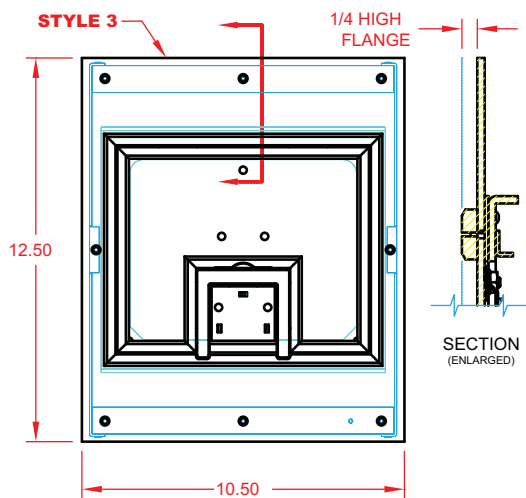
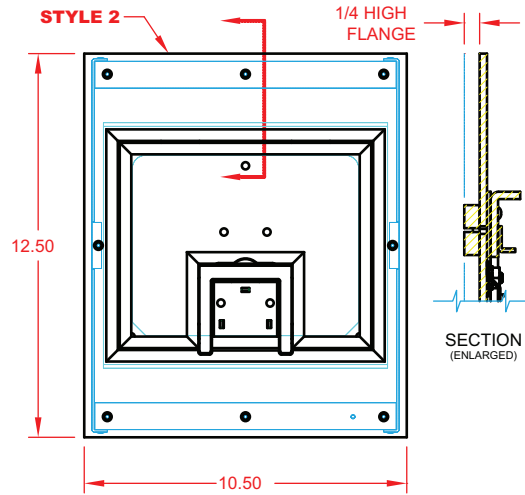
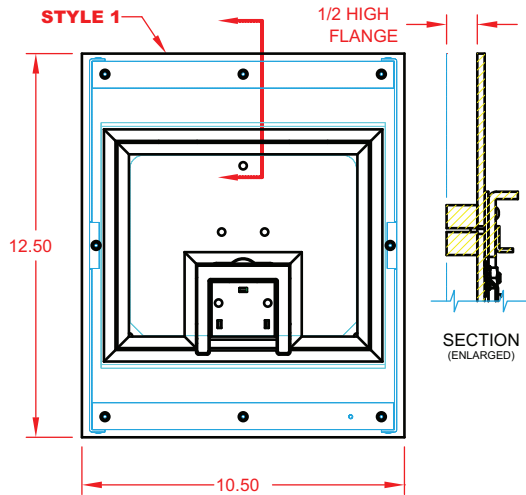
COMPARTMENT DIVIDERS

Remove or arrange as needed to isolate compartments

WARNING: Must be used on a compartment where line voltage wiring is present



COVER DETAIL DRAWINGS



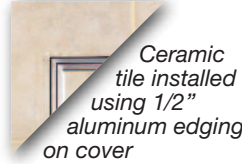
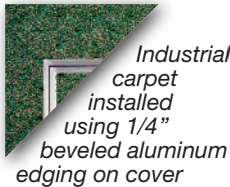
STYLE	DESCRIPTION
1	1/2" SQUARED FLANGE FOR CARPET OR TILE
2	1/4" SQUARED FLANGE FOR CARPET OR TILE
3	1/4" BEVELED FLANGE FOR CARPET
4	SOLID COVER, NO FLANGE**
5	SOLID COVER, NO FLANGE, HINGED**

****Note:** Cover Shim Kit (FL-500-CSK) may be required to set the height of box "Pre-Pour" so the top of Finish Cover matches top of finished floor.

Touchboards

205 Westwood Ave, Long Branch, NJ 07740
 Phone: 866-94 BOARDS (26273) / (732)-222-1511
 Fax: (732)-222-7088 | E-mail: sales@touchboards.com

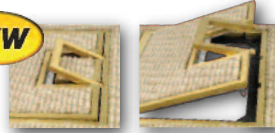
COVER OPTIONS



Available in brass, aluminum or painted edging to compliment floor covering.

Not all cover color options are pictured. See the ordering table below for additional options.

NEW



The new U-Access cover design features a handle to easily lift the cover. All corner fasteners have been removed.

See a larger view at bit.ly/1aKZzT6 or scan this QR Code



Floor Box Covers and box bottom ordering information

FL-500P – Requires ordering Cover and box bottom separately

Part #	Description
U-Access Covers - UL Scrub Water Rated for Tile and Carpet Installations	
FL-500P-B-C U-Access	FL-500P Cover With 1/2" Brass Square Flange (Lift off door)
FL-500P-BLP-C U-Access	FL-500P Cover With 1/4" Brass Beveled Flange (Lift off door)
FL-500P-BSQ-C U-Access	FL-500P Cover With 1/4" Brass Square Flange (Lift off door)
FL-500P-S-C U-Access	FL-500P Cover With 1/2" Aluminum Square Flange (Lift off door)
FL-500P-SLP-C U-Access	FL-500P Cover With 1/4" Aluminum Beveled Flange (Lift off door)
FL-500P-SSQ-C U-Access	FL-500P Cover With 1/4" Aluminum Square Flange (Lift off door)
FL-500P-PLP-GRY-C U-Access	FL-500P Cover with 1/4" Painted Beveled Flange - Gray (Lift off door)
FL-500P-PLP-CLY-C U-Access	FL-500P Cover with 1/4" Painted Beveled Flange - Clay (Lift off door)
FL-500P-PLP-BLK-C U-Access	FL-500P Cover with 1/4" Painted Beveled Flange - Black (Lift off door)
U-Access Covers - UL Scrub Water Rated - No Carpet Trim**	
FL-500P-SLD-ALM-C U-Access**	FL-500P Solid Cover w/ Cable Exit (No Flange) - Aluminum
FL-500P-SLD-BLK-C U-Access**	FL-500P Solid Cover w/ Cable Exit (No Flange) - Black
FL-500P-SLD-CLY-C U-Access**	FL-500P Solid Cover w/ Cable Exit (No Flange) - Clay
FL-500P-SLD-GRY-C U-Access**	FL-500P Solid Cover w/ Cable Exit (No Flange) - Gray
** Shim kits may be required.	
Covers	
FL-500P-BLK-C	Cover (No Flange) With Hinged Door in Black Sandtex
FL-500P-OAK-C	Cover (No Flange) With Hinged Door in Lt. Oak Sandtex
FL-500P-SS-C	Stainless Steel Cover (No Flange) with Hinged Door
Box Bottom - UL Listed - Includes Steel Construction Cover	
FL-500P-2.25-B	FL-500P box bottom - 2.25" Deep (Different Internal Brackets) (Not UL)
FL-500P-3-B	FL-500P box bottom - 3" Deep 4 x 1-Gang Areas
FL-500P-4-B	FL-500P box bottom - 4" Deep
FL-500P-6-B	FL-500P box bottom - 6" Deep
FL-500P-8-B	FL-500P box bottom - 8" Deep
FL-500P-10-B	FL-500P box bottom - 10" Deep
Optional Box Bottom Brackets	
FL-500P-2.25-Decora	2 Decora Openings (No Divider) Replaces Blank Plate (2.25" Box Only)
FL-500P-4-3G	3 Single Gang Openings (No Divider) Replaces 4G Plate (4" Box Only)
FL-500P-6-3G	3 Single Gang Openings (No Divider) Replaces 4G Plate (6" Box Only)
FL-P3"-DECORA	Optional Bracket For FL-500P/600P 3" - Decora opening
FL-P3"-DUPLEX	Optional Bracket For FL-500P/600P 3" - Duplex opening
FL-P3"-6IPS	Optional Bracket For FL-500P/600P 3" - 6-IPS opening
FL-P3"-BLANK	Optional Bracket For FL-500P/600P 3" - Blank plate
Optional Manufacturers Specific Mounting Brackets	
MMS-FL500/540P-4	Crestron DM-TX-200-C-2G Wallplate Mounting Bracket w/Blank Plate (4" deep box only)
Pour Pan Accessories	
FL-GRD2	2" Grade Mounting Kit
FL-GRD4	4" Grade Mounting Kit
Optional Shim Kit**	
FL-500-CSK	Temporary and Final Cover Shim Kit



Specifications are subject to change without notice.



244 Bergen Boulevard, Woodland Park, NJ 07424

Phone: 973.785.4347 · Fax: 973.785.4207

Web: www.fsrinc.com · E-mail: sales@fsrinc.com LIT1047K