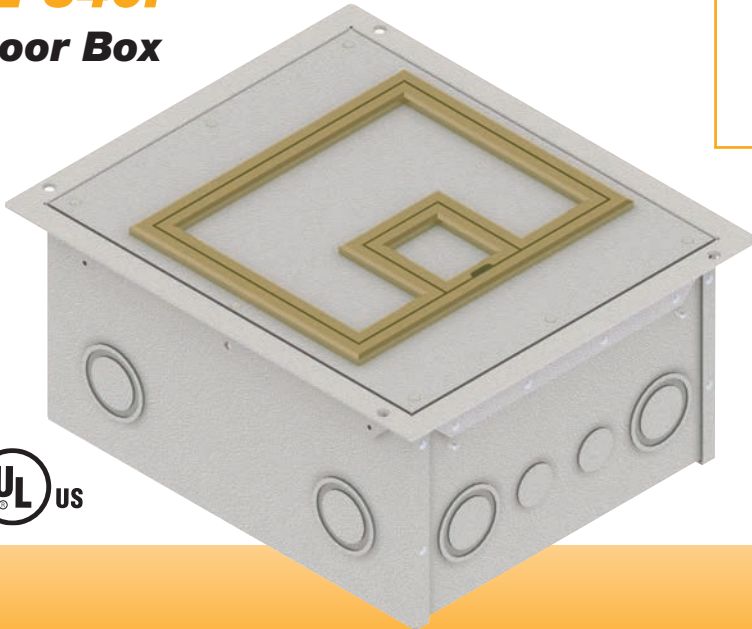


FL-540P Floor Box



FSR

Metal Products Group

FL-540P Floor Box

- 11-gauge steel temporary construction cover included
- 11-gauge finished steel cover with choice of carpet edging
- Mitered brass or aluminum carpet edging .5" or .25" high
- Stainless steel compression latches
- Lift-off full access door

DESCRIPTION

The FL-540P floor box is designed for raised access floors. This floor box provides a practical solution for cable storage while maintaining easy access. The lift off section of the cover allows full access to the internal cables and connector plates. A smaller hinged trap door folds back to create the cable exit. Cables can be stored within the box when not in use, allowing unencumbered travel over the floor. The sturdy drop-in floor lip supports the unit and installs flush with the floor. The 1/4" carpet edging is available in brass or aluminum. Flat covers without flanges are also offered in black or light oak sandtex.

The innovation continues to the "transformable" back box. The FL-540P's internal brackets can be arranged to provide numerous options for both high and low voltage standard gang openings making it the most flexible and easiest to install floor box available. The 4" through 10" deep boxes are UL listed. The unit includes all the necessary internal plates and brackets to make "pre" and "post" installation compartment changes quick and easy. Using this system, both high and low voltage gang configurations along with line voltage compartment isolation can be implemented "on the fly". This makes just about any cabling/connector scenario possible.

SPECIFICATIONS

Size: Box: 10" x 12" x depth
 Cover: 10" x 12" x 0.125"

Edging: Height: .25"
 Material: Brass or Aluminum
 Flat Covers also available

Weight: 16 lbs.

KNOCKOUT SPECIFICATIONS

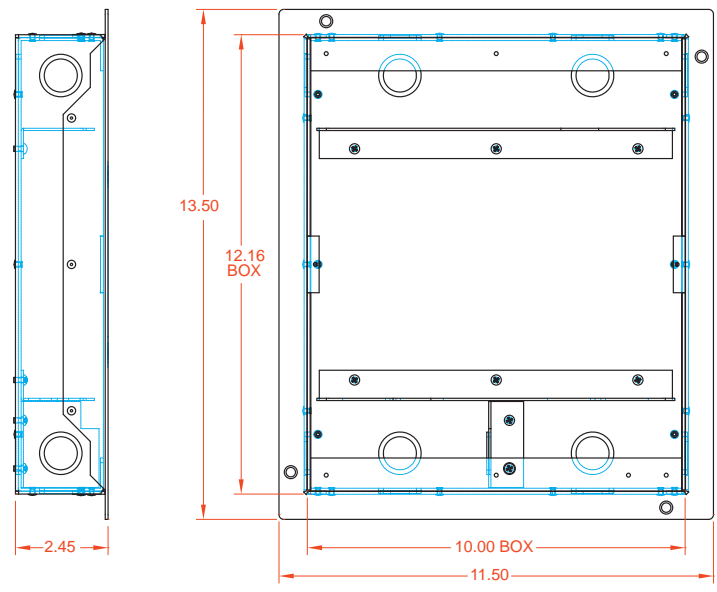
FL-540P-4"	
KO trade size	Qty/Box
3/4"	8
1.00" / 1-1/4" Concentric	4
1.00" / 1-1/4" / 1-1/2" Concentric	8
FL-540P-6" thru 10"	
KO trade size	Qty/Box
3/4"	8
1.00" / 1-1/4" / 1-1/2" Concentric	12



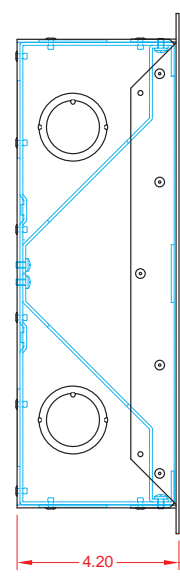
205 Westwood Ave, Long Branch, NJ 07740
 Phone: 866-94 BOARDS (26273) / (732)-222-1511
 Fax: (732)-222-7088 | E-mail: sales@touchboards.com

BACK BOX DETAIL DRAWINGS

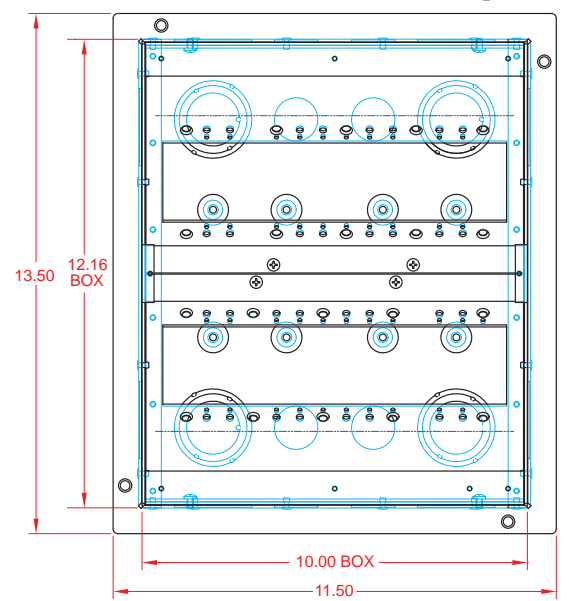
FL-540P-2.25 2.25" Deep



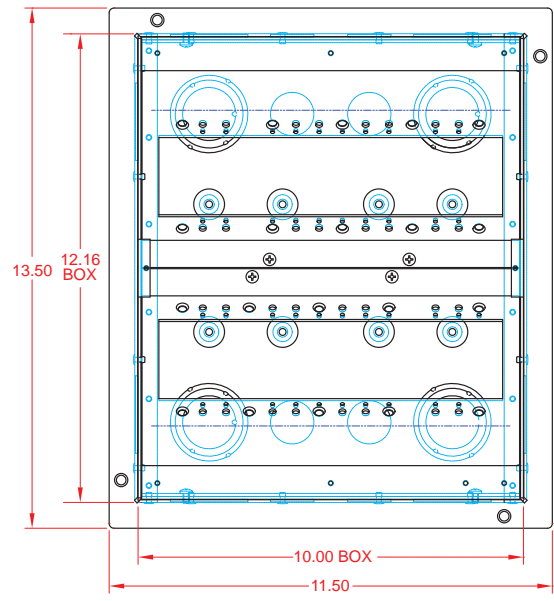
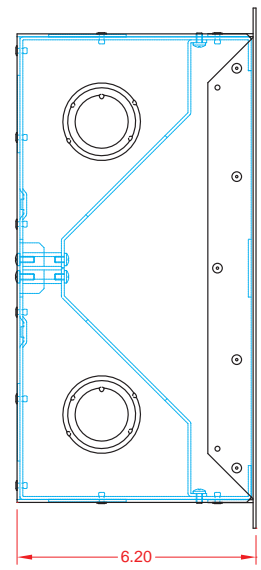
* Optional brackets available for these back boxes. See the ordering table for more information.



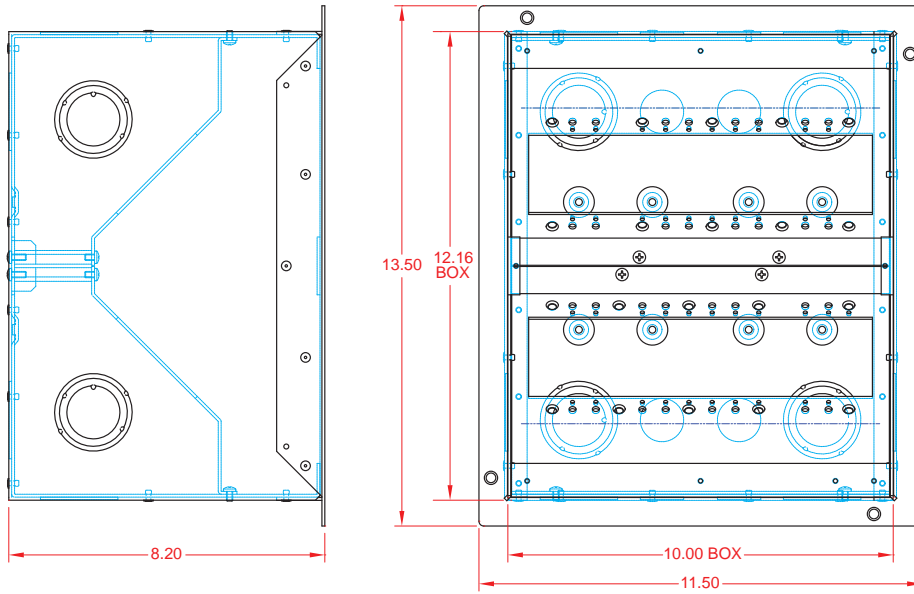
FL-540P-4 4" Deep



FL-540P-6 6" Deep



FL-540P-8 8" Deep



Touchboards

205 Westwood Ave, Long Branch, NJ 07740
Phone: 866-94 BOARDS (26273) / (732)-222-1511
Fax: (732)-222-7088 | E-mail: sales@touchboards.com

FL-540P-10 10" Deep

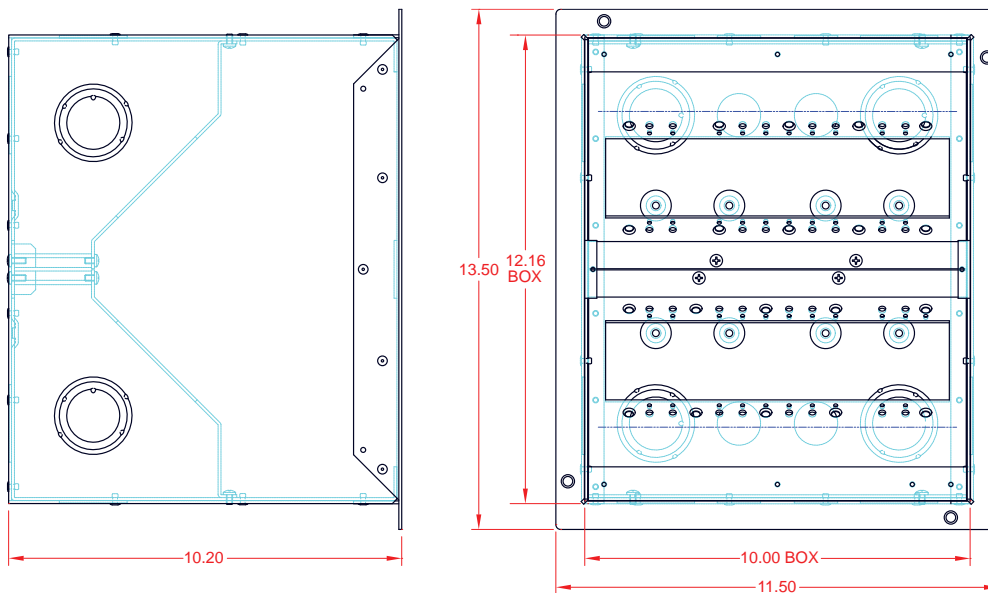


PLATE CONFIGURATIONS

The back boxes contain two identical angled mounting brackets and either side can be configured as shown using the included parts. The various plates are shown only as a few possible examples and are not included.

Plate Configuration 1-2



Plate Configuration 1-3



Plate Configuration 2-2



Plate Configuration 3-1



Plate Configuration 4



FL-540P "TRANSFORMABLE" BACKBOX

GANG PLATE DIVIDERS

Add and remove as needed to form a multitude of gang arrangement possibilities

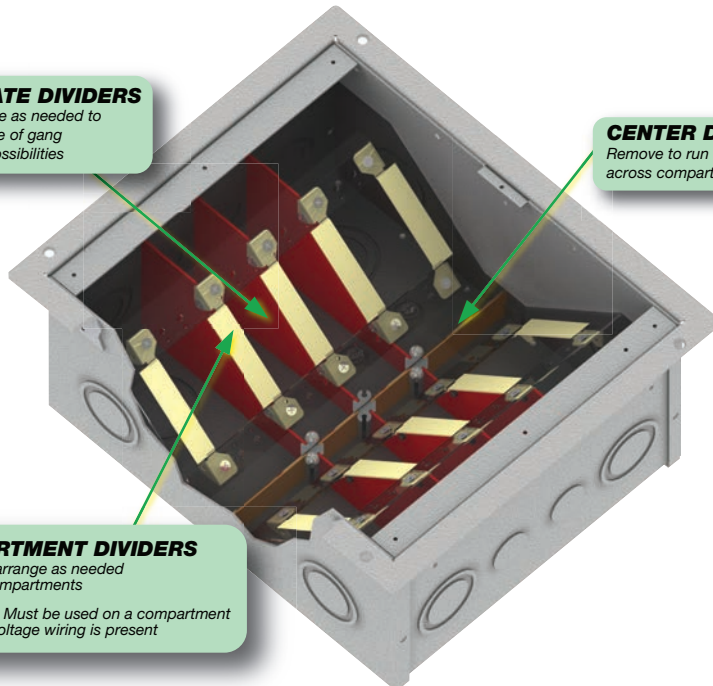
CENTER DIVIDERS

Remove to run cables across compartments

COMPARTMENT DIVIDERS

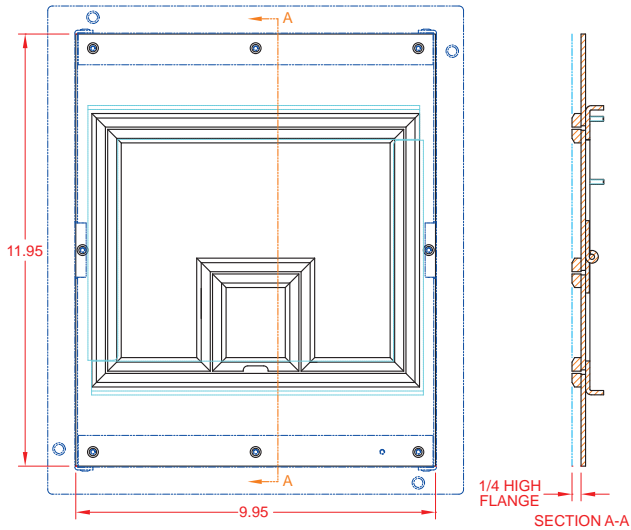
Remove or arrange as needed to isolate compartments

WARNING: Must be used on a compartment where line voltage wiring is present

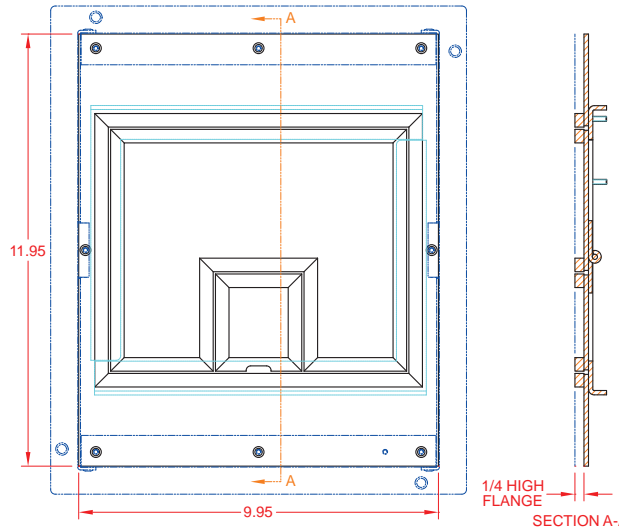


COVER DETAIL DRAWINGS

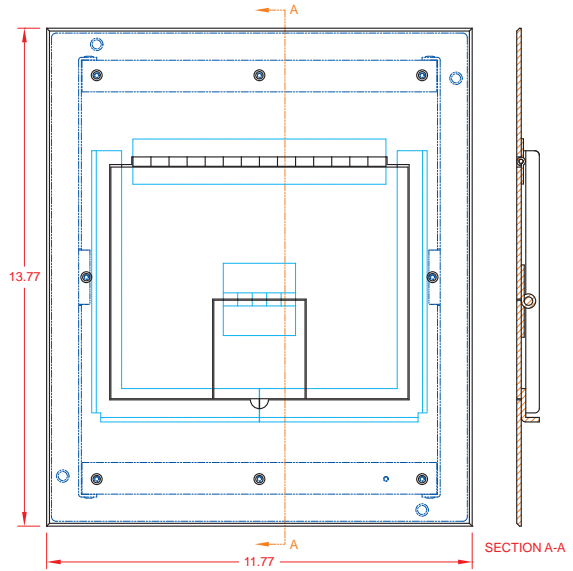
STYLE 1



STYLE 2

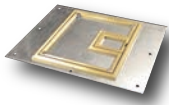


STYLE 3

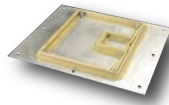


STYLE	MODEL NUMBER	DESCRIPTION
1	FL-540P-BLP-C	COVER WITH 1/4" BRASS CARPET FLANGE (LIFT OFF DOOR)
2	FL-540P-BSQ-C	COVER WITH 1/4" SQUARE BRASS CARPET FLANGE (LIFT OFF DOOR)
1	FL-540P-SLP-C	COVER WITH 1/4" ALUMINUM CARPET FLANGE (LIFT OFF DOOR)
2	FL-540P-SSQ-C	COVER WITH 1/4" SQUARE ALUMINUM CARPET FLANGE (LIFT OFF DOOR)
3	FL-540P-BLK-C	COVER (NO FLANGE) WITH HINGED DOOR IN BLACK SANDEXT
3	FL-540P-OAK-C	COVER (NO FLANGE) WITH HINGED DOOR IN LT. OAK SANDEXT

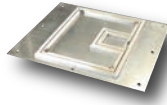
COVER OPTIONS



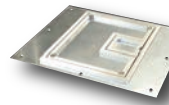
FL-540P-BLP-C



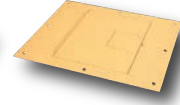
FL-540P-BSQ-C



FL-540P-SLP-C



FL-540P-SSQ-C



FL-540P-OAK-C

Floor Box Covers and Back Boxes ordering information
FL-540P – Requires ordering Cover and Back Box separately

Item#	Part #	Description
Covers - UL Listed		
15604	FL-540P-BLP-C	Cover With 1/4" Brass Carpet Flange (Lift off door)
15359	FL-540P-BSQ-C	Cover With 1/4" Square Brass Flange (Lift off door)
15605	FL-540P-SLP-C	Cover With 1/4" Aluminum Carpet Flange (Lift off door)
15985	FL-540P-SSQ-C	Cover With 1/4" Square Aluminum Flange (Lift off door)
Covers		
15486	FL-540P-BLK-C*	Cover (No Flange) With Hinged Door in Black Sandtex
15536	FL-540P-OAK-C	Cover (No Flange) With Hinged Door in Lt. Oak Sandtex
Back Boxes - UL Listed - Includes Steel Construction Cover		
17586	FL-540P-2.25	FL-540P Back Box - 2.25" Deep (NON-UL)
12500	FL-540P-4-B	FL-540P Back Box - 4" Deep
12505	FL-540P-6-B	FL-540P Back Box - 6" Deep
17170	FL-540P-8-B	FL-540P Back Box - 8" Deep
16704	FL-540P-10-B	FL-540P Back Box - 10" Deep

* Black cover not pictured.

Touchboards

205 Westwood Ave, Long Branch, NJ 07740
 Phone: 866-94 BOARDS (26273) / (732)-222-1511
 Fax: (732)-222-7088 | E-mail: sales@touchboards.com

Specifications are subject to change
 without notice.



FSR

244 Bergen Boulevard, Woodland Park, NJ 07424
 Phone: 973.785.4347 · Fax: 973.785.4207
 Web: www.fsrinc.com · E-mail: sales@fsrinc.com