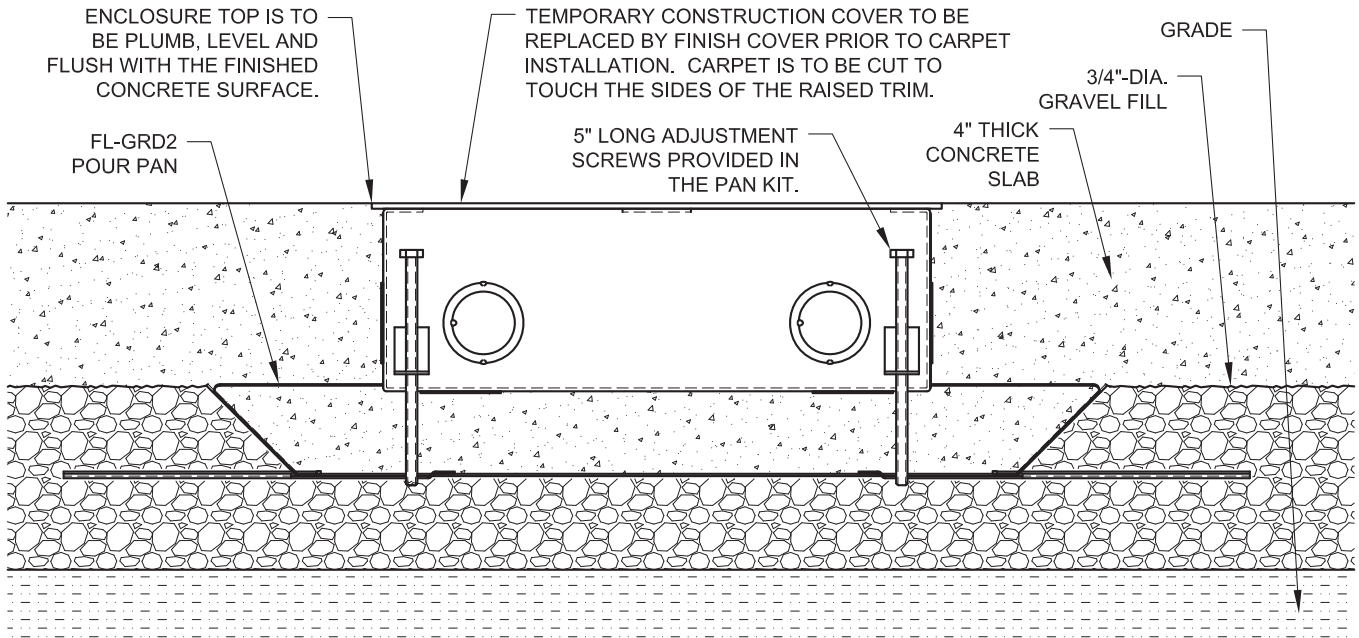
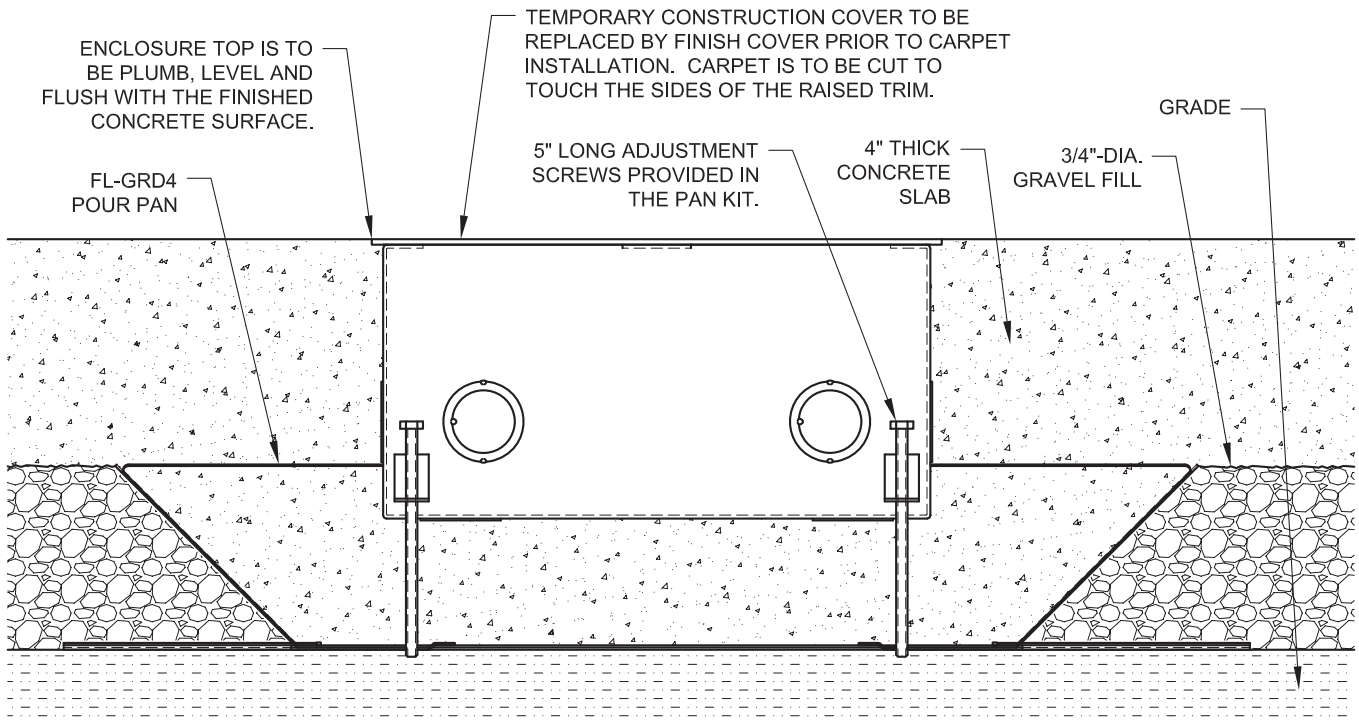


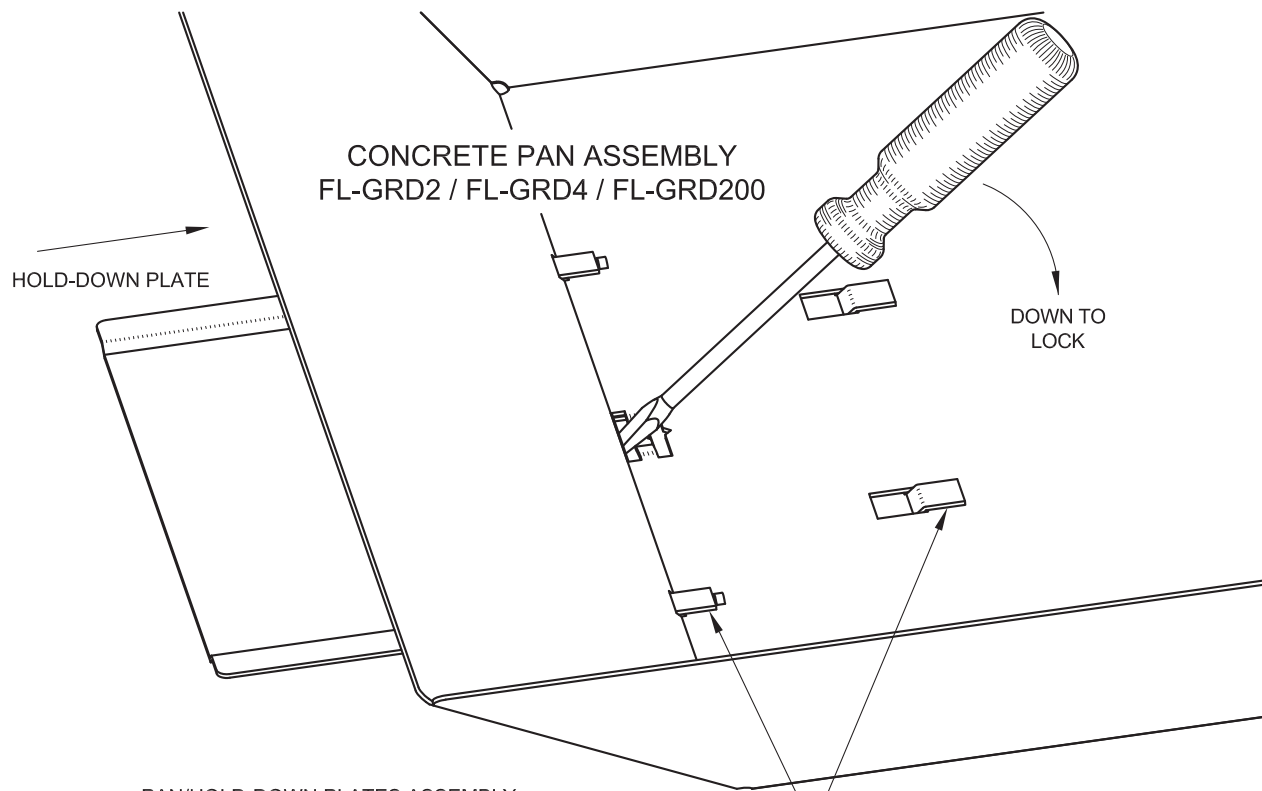
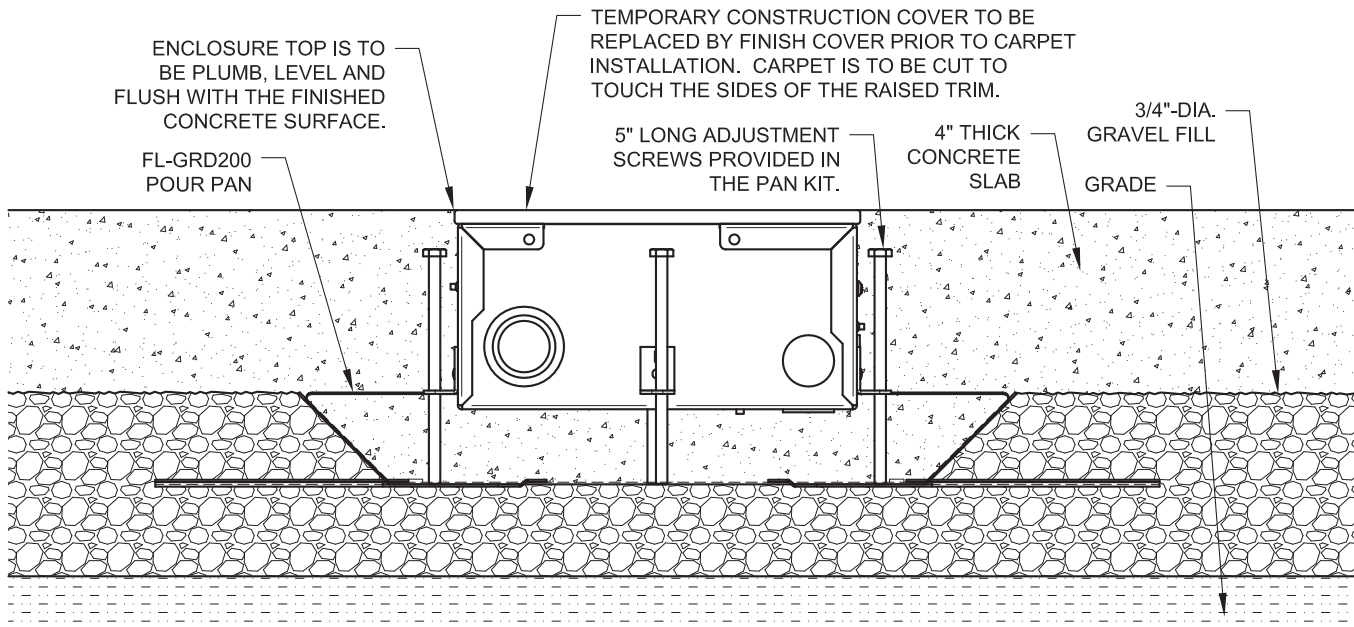
#### TYPICAL INSTALLATION USING THE FL-GRD2



#### TYPICAL INSTALLATION USING THE FL-GRD4



**TYPICAL INSTALLATION USING THE FL-GRD200**



**PAN/HOLD-DOWN PLATES ASSEMBLY:**

INSERT THE TABS OF THE HOLD-DOWN PLATE INTO SLOTS IN THE PAN, AS SHOWN, AND PUSH THE PLATE INWARDS UNTIL IT STOPS.

INSERT THE TIP OF A FLAT-BLADED SCREWDRIVER INTO THE OPEN GAP AT THE INSIDE CORNER OF THE PAN. PUSH DOWN ON THE SCREWDRIVER HANDLE; THIS WILL BEND THE NARROW METAL STRIP ENOUGH TO CAPTURE AND LOCK THE HOLD-DOWN PLATE IN PLACE.

REPEAT THIS PROCEDURE WITH THE SECOND PLATE; THE PAN ASSEMBLY IS NOW READY FOR USE.



205 Westwood Ave, Long Branch, NJ 07740  
 Phone: 866-94 BOARDS (26273) / (732)-222-1511  
 Fax: (732)-222-7088 | E-mail: sales@touchboards.com