

P/N: 1196961

Copyright

© 2015, FLIR Systems, Inc.

All rights reserved worldwide. Names and marks appearing herein are either registered trademarks or trademarks of FLIR Systems and/or its subsidiaries. All other trademarks, trade names or company names referenced herein are used for identification only and are the property of their respective owners.

Document identity

Publ. No.: 1196961

Release:

Commit: 23380

Language: en-US

Modified: 2015-02-24

Formatted: 2015-03-25

Corporate Headquarters

FLIR Systems, Inc.

27700 SW Parkway Ave.

Wilsonville, OR 97070

USA

Telephone: +1-503-498-3547

Website

<http://www.flir.com>

Customer support

<http://support.flir.com>

Disclaimer

Specifications subject to change without further notice. Camera models and accessories subject to regional market considerations. License procedures may apply. Products described herein may be subject to US Export Regulations. Please refer to exportquestions@flir.com with any questions.



General description	
The 15° lens is a popular lens accessory and provides 1.7x magnification compared to the standard lens. Ideal for small or distant targets such as overhead power lines.	
Imaging and optical data	
Field of view (FOV)	15° × 11.25°
Minimum focus distance	1.2 m (3.93 ft.)
Focal length	30.38 mm (1.2 in.)
Spatial resolution (IFOV)	Depends on the IR resolution of the camera: 1.65 mrad for 160 × 120 pixels 1.32 mrad for 200 × 150 pixels 1.10 mrad for 240 × 180 pixels 0.82 mrad for 320 × 240 pixels
F-number	1.3
Physical data	
Weight	0.092 kg (0.203 lb.), incl. two lens caps
Size (L × D)	24 × 58 mm (1.0 × 2.3 in.)
Shipping information	
Packaging, type	Cardboard box
List of contents	<ul style="list-style-type: none"> • Lens • Lens case
Packaging, weight	0.32 kg (0.71 lb.)
Packaging, size	172 × 131 × 133 mm (6.8 × 5.2 × 5.2 in.)
EAN-13	7332558001134 4743254000889 (Estonia plant)
UPC-12	845188000127
Country of origin	Sweden

Compatible with the following products

- 62103-1102; FLIR T420 (incl. Wi-Fi and 15° lens)
- 62103-1103; FLIR T420 (incl. Wi-Fi and 45° lens)

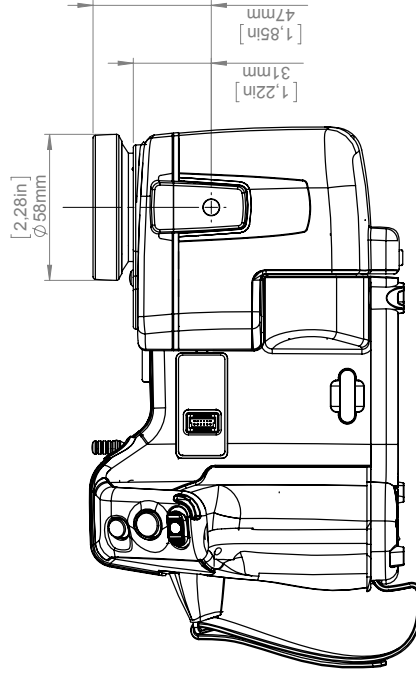
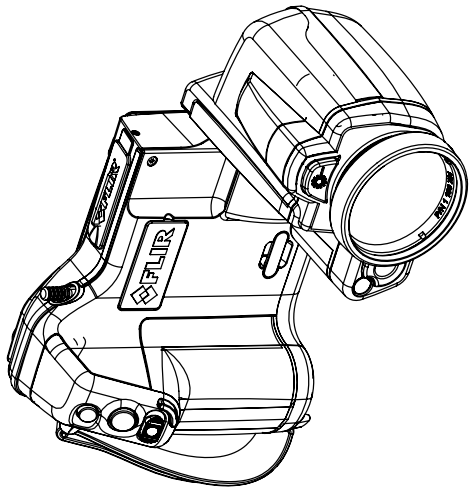
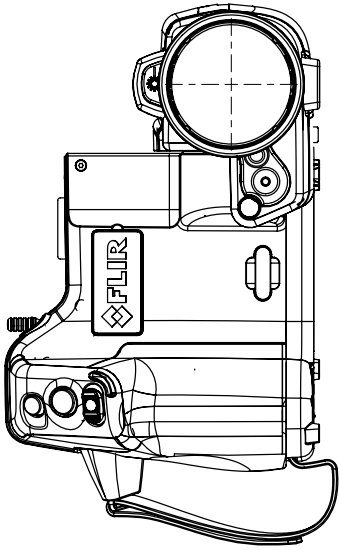
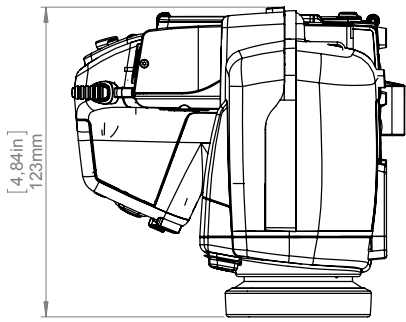
P/N: 1196961

© 2015, FLIR Systems, Inc.

#1196961; r. /23380; en-US

- 62103-1101; FLIR T420 (incl. Wi-Fi)
- 62103-1205; FLIR T420 with SC kit (incl. Wi-Fi and 45° lens)
- 62103-1501; FLIR T420bx (incl. Wi-Fi)
- 62104-2203; FLIR T430sc (incl. Wi-Fi)
- 62103-1301; FLIR T440 (incl. Wi-Fi)
- 62103-1701; FLIR T440bx (incl. Wi-Fi)
- 62104-1903; FLIR T450sc (incl. Wi-Fi)
- 62104-2801; FLIR T460 (incl. Wi-Fi)
- 48201-1001; FLIR A300
- 42701-1001; FLIR A300 (9 Hz)
- 42901-1001; FLIR A305sc
- 48201-1101; FLIR A310
- 42701-1101; FLIR A310 (9 Hz)
- 48001-1101; FLIR A315
- 42901-1101; FLIR A315 (9 Hz)
- 48201-1201; FLIR A320 Tempscreen
- 42701-1201; FLIR A320 Tempscreen (9 Hz)
- 48001-1001; FLIR A325sc
- 64502-0801; FLIR E33
- 64502-1001; FLIR E40
- 64501-0101; FLIR E40 (incl. Wi-Fi)
- 64501-0103; FLIR E40 with SC kit (incl. Wi-Fi and 45° lens)
- 64501-0501; FLIR E40bx (incl. Wi-Fi)
- 64502-1101; FLIR E50
- 64501-0201; FLIR E50 (incl. Wi-Fi)
- 64501-0601; FLIR E50bx (incl. Wi-Fi)
- 64502-1202; FLIR E60
- 64501-0302; FLIR E60 (incl. Wi-Fi)
- 64501-0702; FLIR E60bx (incl. Wi-Fi)
- 64501-0402; FLIR E63 (incl. Wi-Fi)

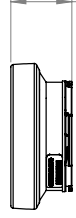
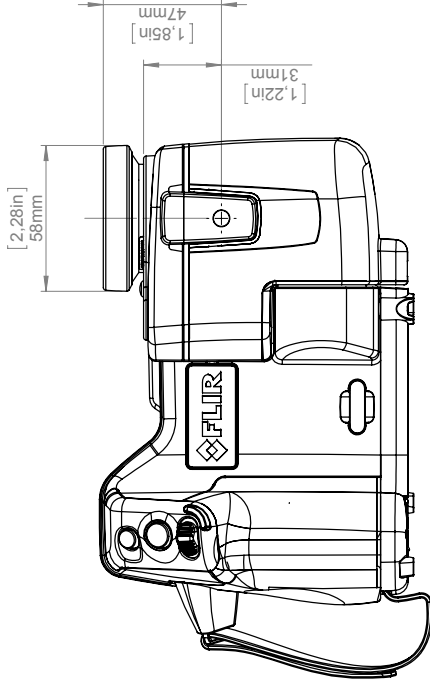
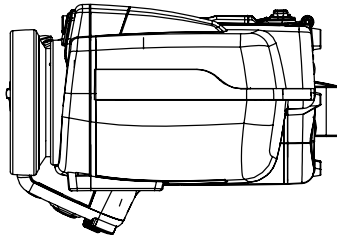
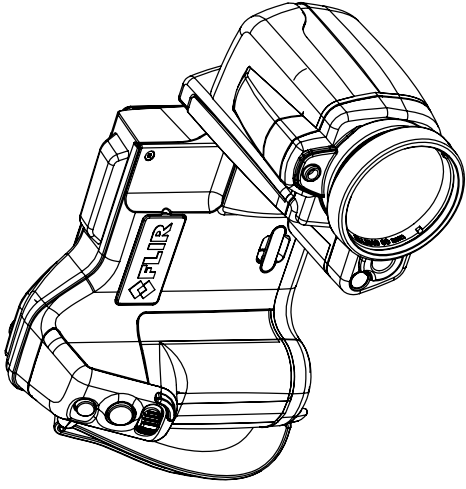
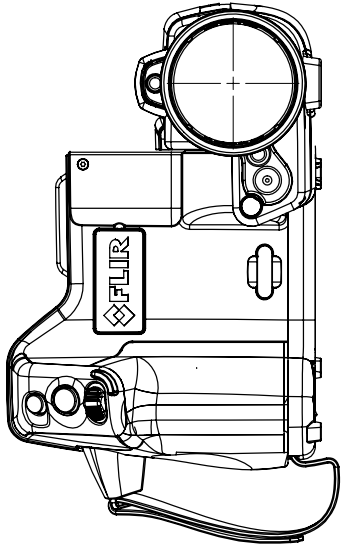
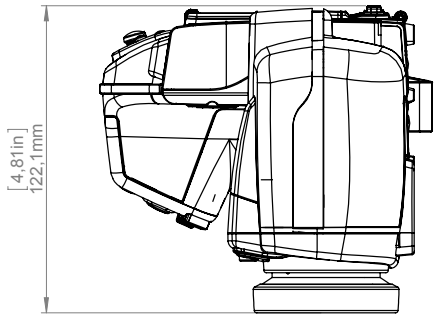
Camera with Lens IR f=30 mm (15°)



For additional dimensions see page 1

Modified 2012-04-18	Check CAHA	Drawn by R&D Thermography	Size A3	Sheet 4(7)
Denomination Basic dimensions FLIR Txxx/Bxxx			Scale 1:2	Sheet 4(7)
			Drawing No. T197905	Size B

Camera with Lens IR f=30 mm (15°)



© 2012, FLIR Systems, Inc. All rights reserved worldwide. No part of this drawing may be reproduced, stored in a retrieval system, or transmitted in any form, or by any means, electronic, mechanical, photocopying, recording, or otherwise, without written permission from FLIR Systems, Inc. Specifications subject to change without further notice. Dimensional data is based on nominal values. Products may be subject to regional market considerations. License procedures may apply. Product may be subject to US Export Regulations. Please refer to exportquestions@flir.com with any questions. Diversion contrary to US law is prohibited.

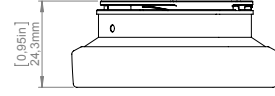
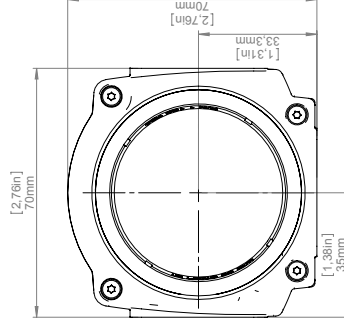
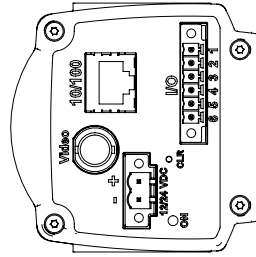
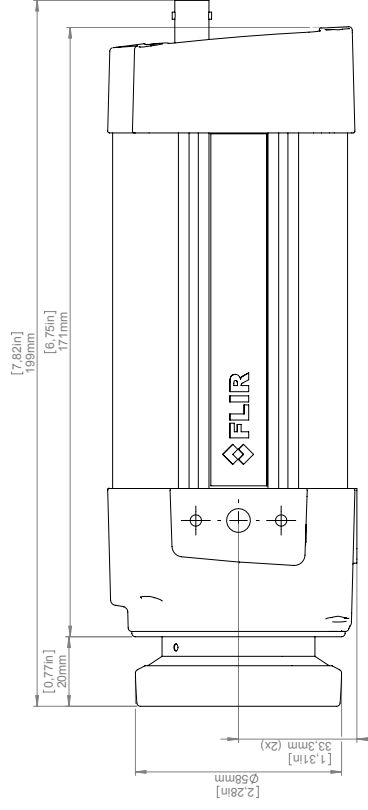
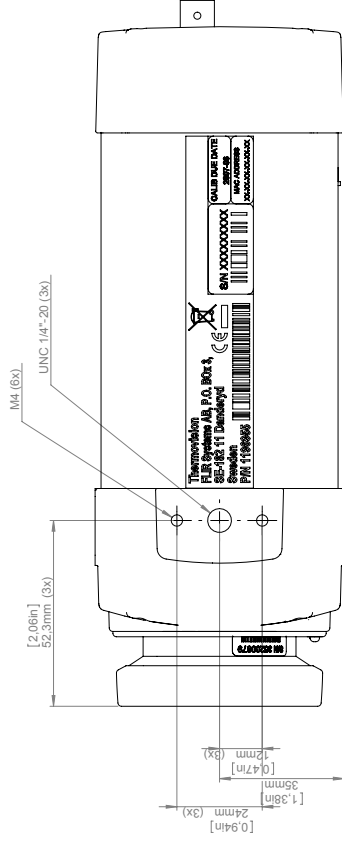
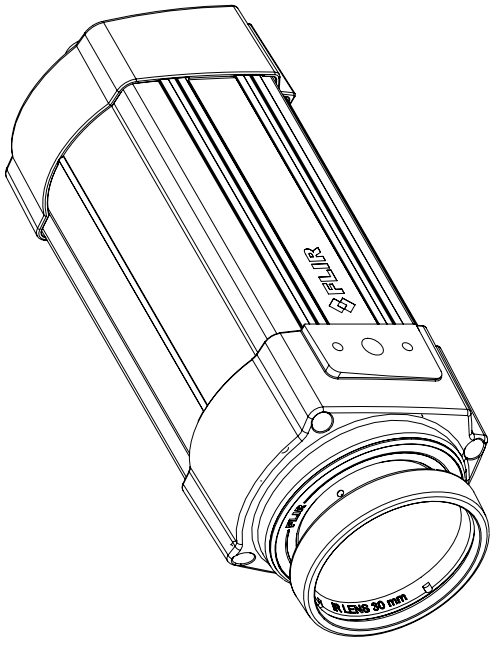


Modified: 2012-06-07
 Check: JOTA
 Drawn by: R&D Thermography

Size: A3
 Scale: 1:2
 Sheet: 4(7)
 Drawing No.: T127604
 Size: A

Basic Dimensions FLIR T4xx

Camera with Lens IR f=30 mm (15°)



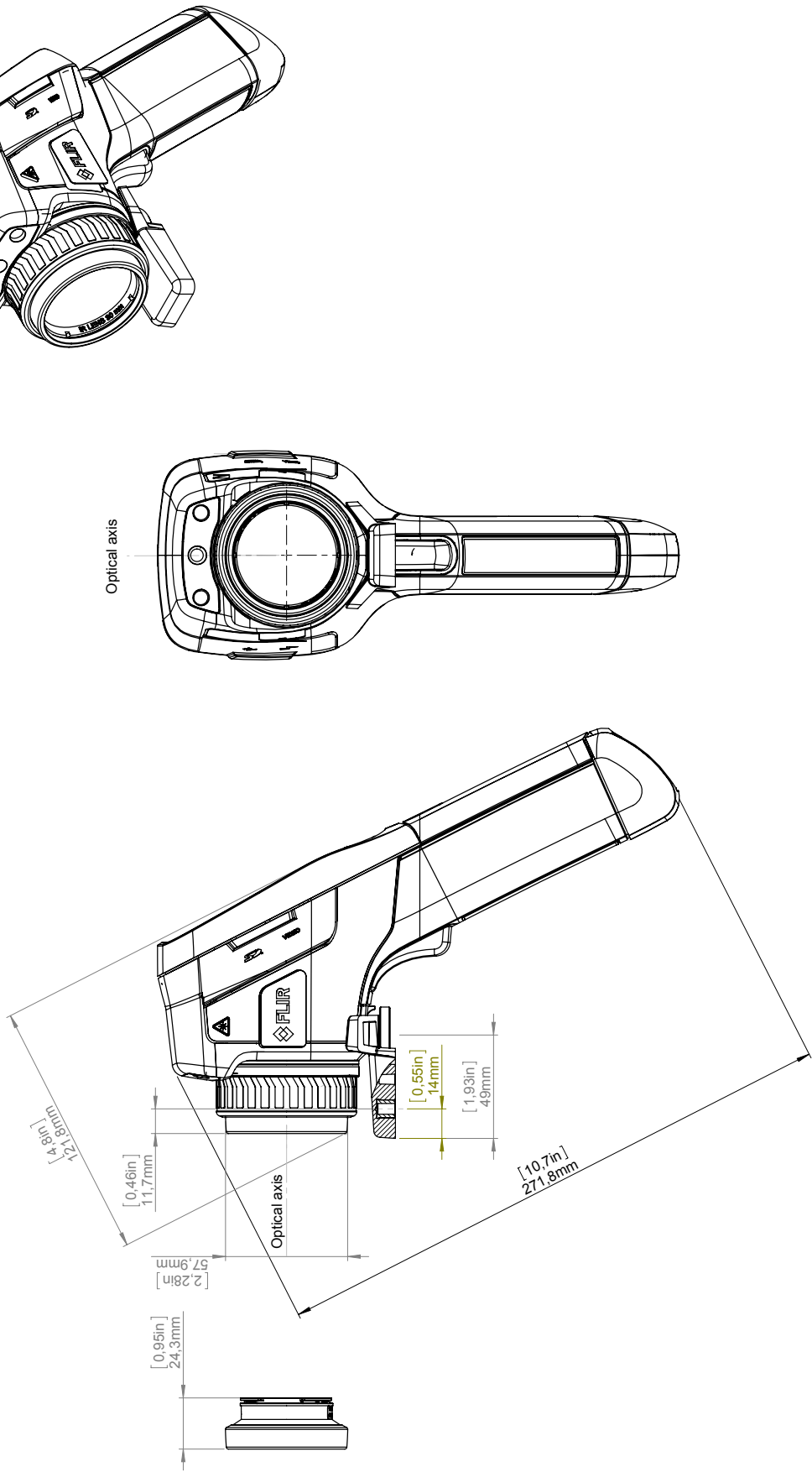
For additional dimensions see page 1

Modified	2012-04-18	Checked	CAHA	Drawn by	R&D Thermography	Size	A3	
Drawn		Drawn		Drawn		Scale	1:1	
Drawn		Drawn		Drawn		Sheet	4(0)	
Drawn		Drawn		Drawn		Drawing No.	T-125002	
Basic dimensions FLIR A3xx/SC3xx							Size	A



Camera with Lens IR f=30 mm (15°)

© 2012 FLIR Systems, Inc. All rights reserved worldwide. No part of this drawing may be reproduced, stored in a retrieval system, or transmitted in any form, or by any means, electronic, mechanical, photocopying, recording, or otherwise, without written permission from FLIR Systems, Inc. Specifications subject to change without further notice. Dimensional data is based on nominal values. Products may be subject to regional market considerations. License procedures may apply. Product may be subject to US Export Regulations. Please refer to exportquestions@flir.com with any questions. Diversion contrary to US law is prohibited.



For additional dimensions see page 1

Modified 2012-04-18	Check CAHA	Drawn by R&D Thermography	Size A3	
Denomination Basic dimensions FLIR Exx			Scale 1:2	
			Sheet 3(4)	
Drawing No. T126960				Size A