

# A-series connection board

**P/N: T300268ACC**

**Copyright**

© 2021, FLIR Systems, Inc.

All rights reserved worldwide. Names and marks appearing herein are either registered trademarks or trademarks of FLIR Systems and/or its subsidiaries. All other trademarks, trade names or company names referenced herein are used for identification only and are the property of their respective owners.

**Document identity**

Publ. No.: T300268ACC

Commit: 76253

Language: en-US

Modified: 2021-04-30

Formatted: 2021-07-06

**Website**

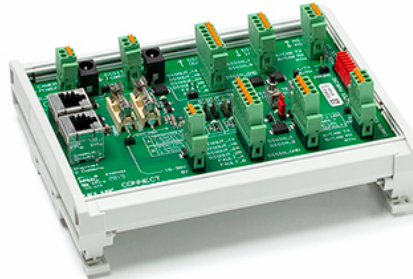
<http://www.flir.com>

**Customer support**

<http://support.flir.com>

**Disclaimer**

Specifications subject to change without further notice. Camera models and accessories subject to regional market considerations. License procedures may apply. Products described herein may be subject to US Export Regulations. Please refer to [exportquestions@flir.com](mailto:exportquestions@flir.com) with any questions.

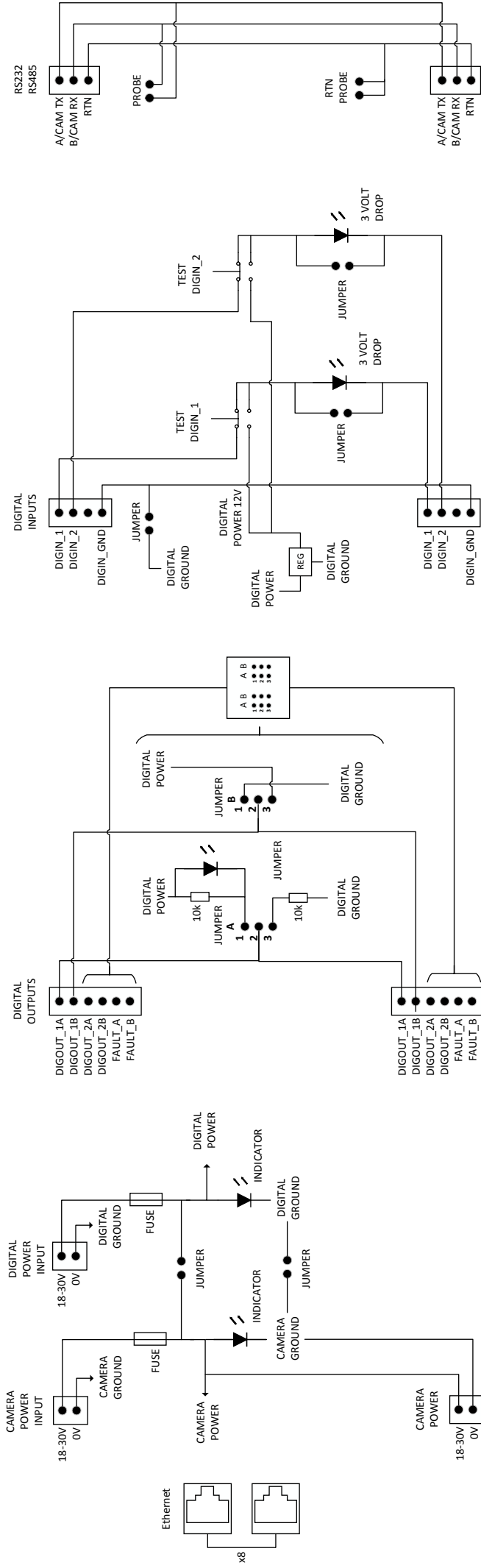


General description	
The A-series connection board is an accessory designed for the FLIR A50/A70 and FLIR A400/A500/A700 cameras. It can be used to test functionality and digital connections to/from the thermal camera.	
Shipping information	
Packaging, type	Cardboard box
Packaging, weight	0.400 kg (0.88 lb)
Packaging, size	220 × 160 × 75 mm (8.67 × 6.30 × 2.95 in)
EAN-13	7332558025963
UPC-12	845188021801

**Compatible with the following products:**

- 89995-0101; FLIR A70 Thermal Core 95°
- 89951-0101; FLIR A70 Thermal Core 51°
- 89929-0101; FLIR A70 Thermal Core 29°
- 89995-0201; FLIR A70 95° Research & Development Kit
- 89951-0201; FLIR A70 51° Research & Development Kit
- 89929-0201; FLIR A70 29° Research & Development Kit
- 89895-0101; FLIR A50 Thermal Core 95°
- 89851-0101; FLIR A50 Thermal Core 51°
- 89829-0101; FLIR A50 Thermal Core 29°
- 89895-0201; FLIR A50 95° Research & Development Kit
- 89851-0201; FLIR A50 51° Research & Development Kit
- 89829-0201; FLIR A50 29° Research & Development Kit
- 85900-0000; FLIR A700 Thermal Core
- 85901-0101; FLIR A700-EST 24°
- 85902-0101; FLIR A700-EST 42°
- 85902-0102; FLIR A700 24° Professional Science Kit
- 85902-0202; FLIR A700 24° Standard Science Kit
- 90600-0000; FLIR A500 Thermal Core
- 90601-0101; FLIR A500-EST 24°
- 90602-0101; FLIR A500-EST 42°
- 91900-0000; FLIR A400 Thermal Core
- 91902-0202; FLIR A400 24° Standard Science Kit
- 91903-0102; FLIR A400 24° Professional Science Kit
- 85904-0301; FLIR A700f Advanced Smart Sensor 14°
- 85905-0301; FLIR A700f Advanced Smart Sensor 24°
- 85906-0301; FLIR A700f Advanced Smart Sensor 42°
- 90604-0301; FLIR A500f Advanced Smart Sensor 14°
- 90605-0301; FLIR A500f Advanced Smart Sensor 24°
- 90606-0301; FLIR A500f Advanced Smart Sensor 42°
- 86401-0101; FLIR GF77a 25° LR
- 86403-0101; FLIR GF77a 6° LR

# Installation side



# Camera side

May 12, 2020 Täby, Sweden

AQ320387

**CE Declaration of Conformity – EU Declaration of Conformity**

Product: A-Series connection board  
Name and address of the manufacturer:  
FLIR Systems AB  
PO Box 7376  
SE-187 15 Täby, Sweden

This declaration of conformity is issued under the sole responsibility of the manufacturer.  
The object of the declaration: T300268 A-Series connection board.

The object of the declaration described above is in conformity with the relevant Union harmonisation legislation:

**Directives:**

Directive	2014/30/EU	Electromagnetic Compability
Directive	2011/65/EU	RoHS and 2015/863/EU

**Standards:**

EMC:	EN 61000-6-2	Immunity
	EN 61000-6-3	Emission
RoHS	EN 50581:2012	Technical documentation

**FLIR Systems AB**

Quality Assurance



Lea Dabiri  
Quality Manager