

P/N: 73413-0102

Copyright

© 2021, FLIR Systems, Inc.

All rights reserved worldwide. Names and marks appearing herein are either registered trademarks or trademarks of FLIR Systems and/or its subsidiaries. All other trademarks, trade names or company names referenced herein are used for identification only and are the property of their respective owners.

Document identity

Publ. No.: 73413-0102
 Commit: 70615
 Language: en-US
 Modified: 2020-09-30
 Formatted: 2021-07-09

Website

<http://www.flir.com>

Customer support

<http://support.flir.com>

Disclaimer

Specifications subject to change without further notice. Camera models and accessories subject to regional market considerations. License procedures may apply. Products described herein may be subject to US Export Regulations. Please refer to exportquestions@flir.com with any questions.



General description	
<p>The FLIR A65 has features and functions that make it the natural choice for anyone who uses PC software to solve problems and for whom 640 × 512 pixel resolution is sufficient.</p> <p>Among its main features are GigE Vision and GenICam compliance, which makes it plug-and-play when used with software packages such as IMAQ Vision and Halcon.</p>	
Key features:	
<ul style="list-style-type: none"> • Very affordable. • Compact (40 mm × 43 mm × 106 mm). • GigE Vision and GenICam compliant. • GigE Vision lockable connector. • PoE (power over Ethernet). • 8-bit 640 × 512 pixel images streamed at 30 Hz, signal linear • 14-bit 640 × 512 pixel images streamed at 30 Hz, signal and temperature linear • Synchronization between cameras possible. • 1x+1x GPIO. • Compliant with any software that supports GenICam, including National Instruments IMAQ Vision, Stemmers Common Vision Blox, and COGNEX Vision Pro. 	
Typical applications:	
<ul style="list-style-type: none"> • Automation and thermal machine vision. • Entry level "high-speed" R&D. 	
Imaging and optical data	
IR resolution	640 × 512 pixels
Thermal sensitivity/NETD	< 0.05°C @ +30°C (+86°F) / 50 mK
Field of view (FOV)	45° × 37°
Minimum focus distance	7.6 cm (3.0 in.)
Focal length	13 mm (0.5 in.)
Spatial resolution (IFOV)	1.31 mrad
F-number	1.25
Image frequency	30 Hz
Focus	Fixed
Detector data	
Detector type	Focal plane array (FPA), uncooled VOX microbolometer
Spectral range	7.5–13 μm
Detector pitch	17 μm
Detector time constant	Typical 12 ms

P/N: 73413-0102

© 2021, FLIR Systems, Inc.

#73413-0102; r. 70615; en-US

Measurement	
Object temperature range	<ul style="list-style-type: none"> -25 to +135°C (-13 to 275°F) -40 to +550°C (-40 to +1022°F)
Accuracy	±5°C (±9°F) or ±5% of reading

Measurement analysis	
Atmospheric transmission correction	Automatic, based on inputs for distance, atmospheric temperature and relative humidity
Optics transmission correction	Automatic, based on signals from internal sensors
Emissivity correction	Variable from 0.5 to 1.0
Reflected apparent temperature correction	Automatic, based on input of reflected temperature
External optics/windows correction	Automatic, based on input of optics/window transmission and temperature
Measurement corrections	Global object parameters


Ethernet	
Ethernet	Control and image
Ethernet, type	Gigabit Ethernet
Ethernet, standard	IEEE 802.3
Ethernet, connector type	RJ-45
Ethernet, communication	GigE Vision ver. 1.2 Client API GenICam compliant
Ethernet, image streaming	8-bit monochrome @ 30 Hz <ul style="list-style-type: none"> Signal linear/ DDE Automatic/ Manual Flip H&V 14-bit 640 × 512 pixels @ 30 Hz <ul style="list-style-type: none"> Signal linear/ DDE Temperature linear GigE Vision and GenICam compatible
Ethernet, power	Power over Ethernet, PoE IEEE 802.3af class 0 Power
Ethernet, protocols	TCP, UDP, ICMP, IGMP, DHCP, GigEVision

Digital input/output	
Digital input, purpose	General purpose
Digital input	1× opto-isolated, "0" <1.2 VDC, "1" = 2–25 VDC.
Digital output, purpose	General purpose output to ext. device (programmatically set)
Digital output	1× opto-isolated, 2–40 VDC, max. 185 mA
Digital I/O, isolation voltage	500 VRMS
Digital I/O, supply voltage	2–40 VDC, max. 200 mA
Digital I/O, connector type	12-pole M12 connector (shared with Digital synchronization and External power)
Synchronization in, purpose	Frame synchronization in to control camera
Synchronization in	1×, non-isolated
Synchronization in, type	LVC Buffer @3.3V, "0" <0.8 V, "1">2.0 V.
Synchronization out, purpose	Frame synchronization out to control another FLIR Ax5 camera

P/N: 73413-0102

© 2021, FLIR Systems, Inc.

#73413-0102; r. 70615; en-US

Digital input/output	
Synchronization out	1x, non-isolated
Synchronization out, type	LVC Buffer @ 3.3V, "0"=24 MA max, "1"= -24 mA max.
Digital synchronization, connector type	12-pole M12 connector (shared with Digital I/O and External power)
Power system	
External power operation	12/24 VDC, < 3.5 W nominal < 6.0 W absolute max.
External power, connector type	12-pole M12 connector (shared with Digital I/O and Digital Synchronization)
Voltage	Allowed range 10–30 VDC
Environmental data	
Operating temperature range	-15°C to +50°C (+5°F to +122°F)
	<div style="border: 1px solid black; padding: 5px;"> <p> NOTE</p> <p>The operating temperature range assumes that the camera is mounted on the base support (included in the package) or a similar type of heatsink.</p> </div>
Storage temperature range	-40°C to +70°C (-40°F to +158°F)
Humidity (operating and storage)	IEC 60068-2-30/24 h 95% relative humidity +25° C to +40°C (+77°F to +104°F)
EMC	<ul style="list-style-type: none"> • EN 61000-6-2 (Immunity) • EN 61000-6-3 (Emission) • FCC 47 CFR Part 15 Class B (Emission)
Encapsulation	IP 40 (IEC 60529) with base support mounted
Shock	25 g (IEC 60068-2-27)
Vibration	2 g (IEC 60068-2-6)
Physical data	
Weight	0.200 kg (0.44 lb.)
Camera size (L x W x H)	106 x 40 x 43 mm (4.2 x 1.6 x 1.7 in.)
Tripod mounting	1 x UNC 1/4"-20 (with Base support accessory, included in the delivery box)
Base mounting	4 x M3 thread mounting holes (bottom)
Housing material	Magnesium and aluminum
Shipping information	
Packaging, type	Cardboard box
List of contents	<ul style="list-style-type: none"> • Hard transport case • Infrared camera with lens • Base support • Cable tie (2 ea.) • Ethernet cable CAT-6, 2m/6.6 ft (2 ea.) • FLIR Research Studio 1-Year Subscription (license only) • Focus adjustment tool • Gooseneck • Mains cable kit (UK,EU,US) • PoE Injector (power over Ethernet) • Printed documentation • Table stand



FLIR A65 f=13 mm with SC kit (30 Hz)

P/N: 73413-0102

© 2021, FLIR Systems, Inc.

#73413-0102; r. 70615; en-US

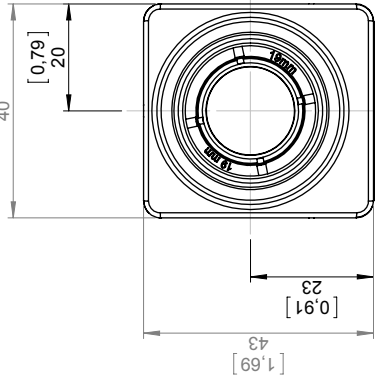
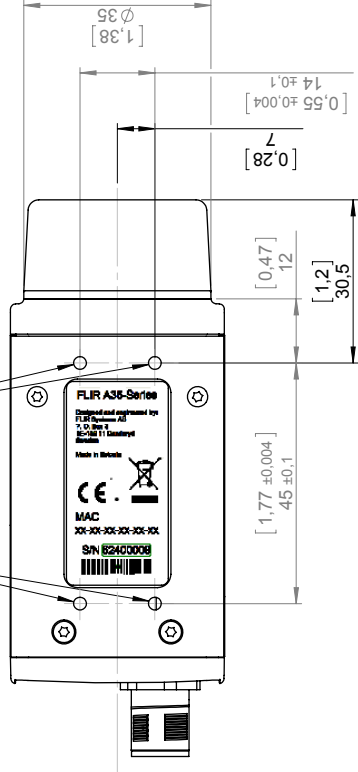
Shipping information	
Packaging, weight	
Packaging, size	295 × 200 × 105 mm (11.6 × 7.9 × 4.1 in.)
EAN-13	7332558011829
UPC-12	845188012915
Country of origin	Estonia

Supplies & accessories:

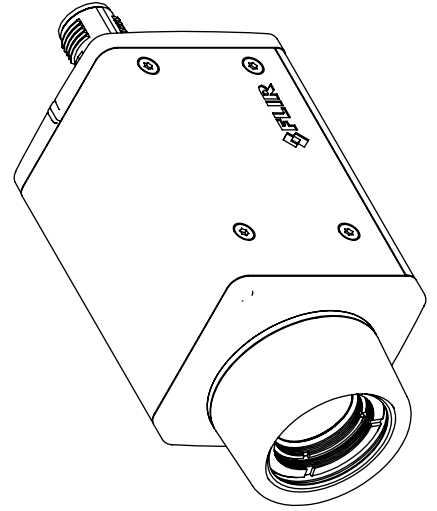
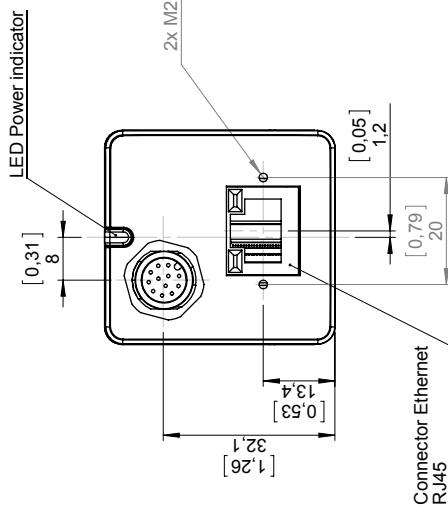
- T951004ACC; Ethernet cable CAT6, 2 m/6.6 ft.
- T198349; Base support
- T198348; Cable kit Mains (UK,EU,US)
- T127605ACC; Cable M12 Pigtail
- T127606ACC; Cable M12 Sync
- T199698; Environmental housing for Ax5
- T199356; FLIR Ax5 accessory starter kit
- T198342ACC; Focus adjustment tool
- T911183; Gigabit PoE injector 16 W, with multi-plugs
- T198392; Table stand kit
- T198594ACC; Transport case Ax5
- T300243; FLIR Thermal Studio Pro, 1 Year Subscription
- T300083; FLIR Thermal Studio Pro, Perpetual license
- T300341; FLIR Thermal Studio Standard, 1 Year Subscription
- T300258; FLIR Thermal Studio Standard, Perpetual license
- T198584; FLIR Tools
- T198583; FLIR Tools+ (download card incl. license key)
- T199233; FLIR Atlas SDK for .NET
- T199234; FLIR Atlas SDK for MATLAB
- 4232535; FLIR Research Studio, Professional Edition - 1 Year Subscription (online activation)
- 4232556; FLIR Research Studio, Professional Edition - Perpetual License (online activation)
- 4232590; FLIR Research Studio, Professional Edition - Perpetual License (USB dongle)
- 4232557; FLIR Research Studio, Professional Edition - USB dongle only
- 4220499; FLIR Research Studio, Standard Edition - 1 Year Subscription (online activation)
- 4220500; FLIR Research Studio, Standard Edition - Perpetual License (online activation)
- 4220646; FLIR Research Studio, Standard Edition - Perpetual License (USB dongle)
- 24971-010; FLIR Research Studio, Standard Edition - USB dongle only
- 4232591; FLIR ResearchIR to Research Studio, Professional Edition - 1 Year License Upgrade
- INST-EW-0135; Extended Warranty 1 Year for A35, A65
- INST-EWGM-0135; Premium Service Package for A35, A65, E53, E75, E85, E95
- INST-GM-0125; General Maintenance Package for A35, A65, Exx, Kxx

Basic dimensions
for cameras with
focal length:
f= 7,5 mm
f= 9 mm
f=13 mm
f=19 mm

4x M3
Depth max 4 mm



Connector GP I/O
M12 12-pin



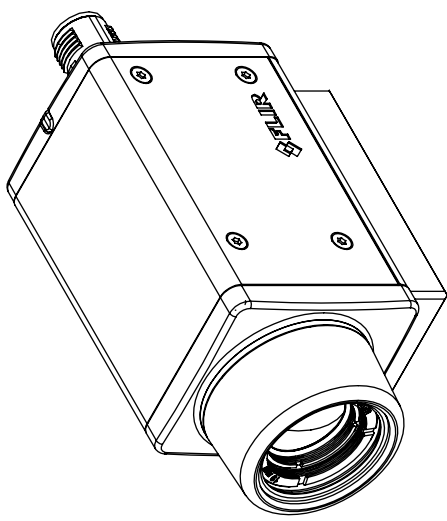
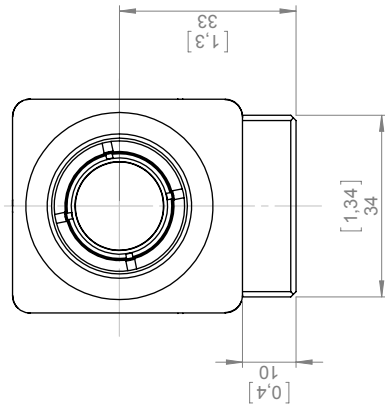
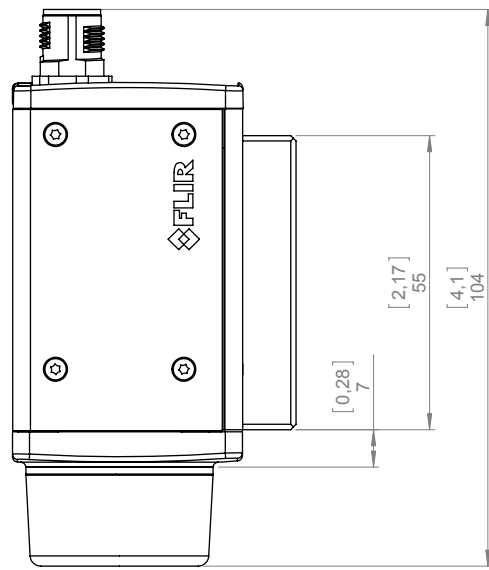
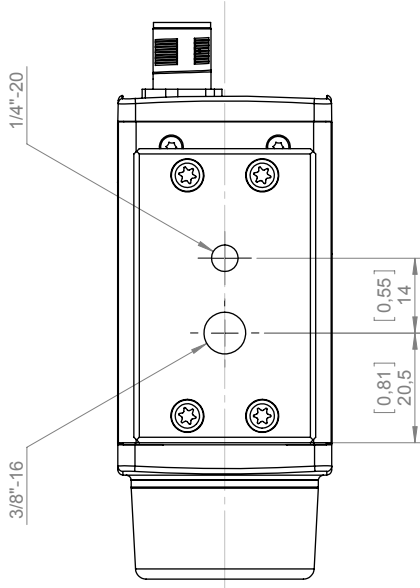
FLIR		Material	
Konstr/Drawn P. MARCUS		-	
Datum/Date 2014-01-29		Kontr/Check MABR	
Ändrad av/Modified by P. MARCUS		Ytbehandling/Roughness Ra μm	
Benämning/Denomination Gen tol ISO 2768-mK		Ytbehandling/Surface treatment	
Där ej annat anges/Unless otherwise stated		Benämning/Denomination	
Gen tol ISO 2768-m		Basic dimensions Ax5	
0.5-6 ±0.1 Hållisradier		f=7.5 mm to f=100 mm	
(6)-30 ±0.2 Fillet radii			
(120)-400 ±0.5 Kanter brutna			
(-400)-1000 ±0.8 Edges broken			
Skala/Scale 1:1		Blad/Sheet 1(7)	
Aritm.		Storlek/Size A3	
Rit nr/Drawing No T128116		Rev A	

1 2 3 4 5 6 7 8 9 10

A B C D E F G

H

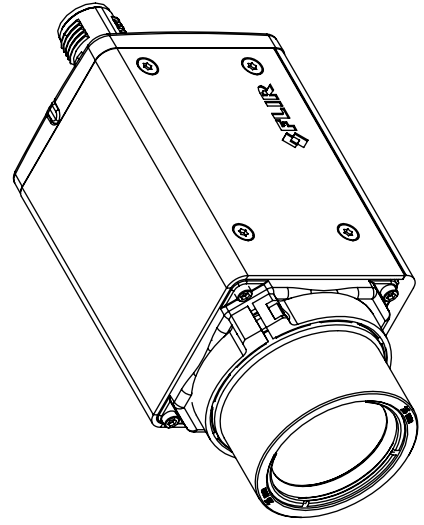
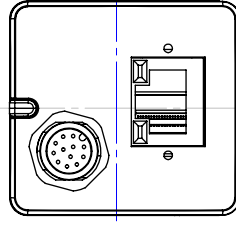
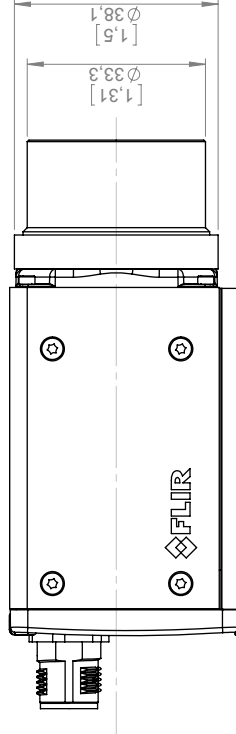
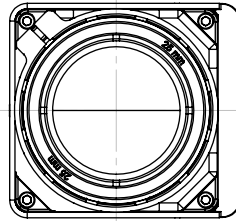
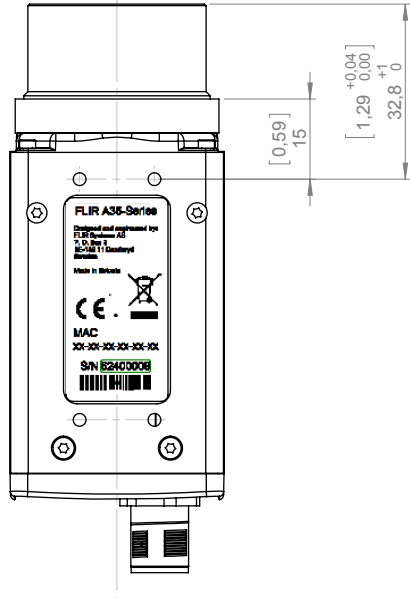
Basic dimensions for
add-on base support



Konstr/Drawn P. MARCUS	Datum/Date 2014-01-29	Kontr/Check MABR	Material -
Ändrad av/Modified by P. MARCUS	Ändrad/Modified 2014-02-11	Ytjämnhet/Roughness Ra	Ytbehandling/Surface treatment µm
Den till ISO 2768-mK Utdrag ur/except from ISO 2768-m	Där ej annat anges/Unless otherwise stated		
0,5-6 0,1-0,2 0,1-0,2 120-400 400-1000	Hålklärradier Fileradii Kantler brutna Edgess broken		
Scale/Scale 1:1			
Blad/Sheet 2(7)			
SIS A3			
Rev A			
Artno. T128116			
Ritning/Drawing No. T128116			
Basic dimensions Ax5 f=7,5 mm to f=100 mm			

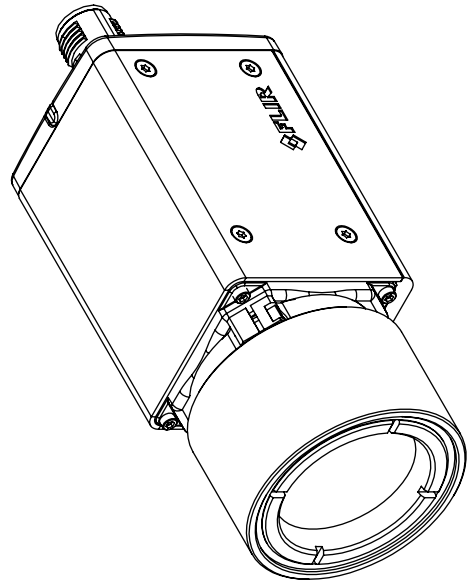
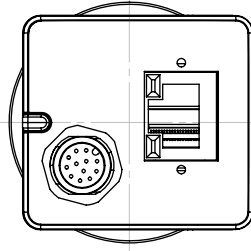
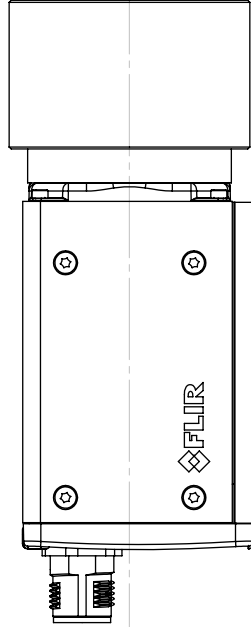
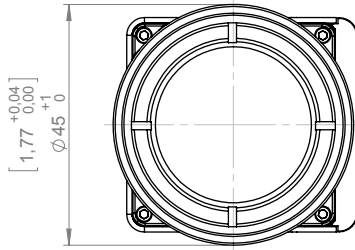
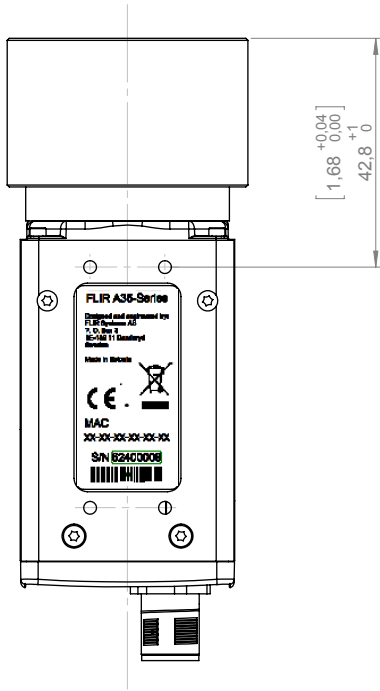


Basic dimensions:
 Camera with focal length
 f=25 mm IR lens.
 Only dimensions valid for
 this IR lens.
 For all other dimensions see pages
 1 and 2.



Konstr/Drawn P. MARCUS		Datum/Date 2014-01-29	Kontr/Check MABR	Material -
Ändrad av/Modified by P. MARCUS		Ändrad/Modified 2014-02-11	Ytjämnhet/Roughness Ra	Ytbehandling/Surface treatment µm
Gen tel ISO 2768-mK 0.5-6 ±0.1 Hållarsradier (0)-30 ±0.2 Filtr radii (120)-400 ±0.5 Kanter brutna (400)-1000 ±0.8 Edges broken		Benämning/Denomination Basic dimensions Ax5 f=7.5 mm to f=100 mm		
FLIR		Skala/Scale 1:1	Blad/Sheet 3(7)	Rev A3
		ÄRNO.	Ritning/Drawing No. T128116	A

Basic dimensions:
 Camera with focal length
 f=35 mm IR lens.
 Only dimensions valid for
 this IR lens.
 For all other dimensions see pages
 1 and 2.



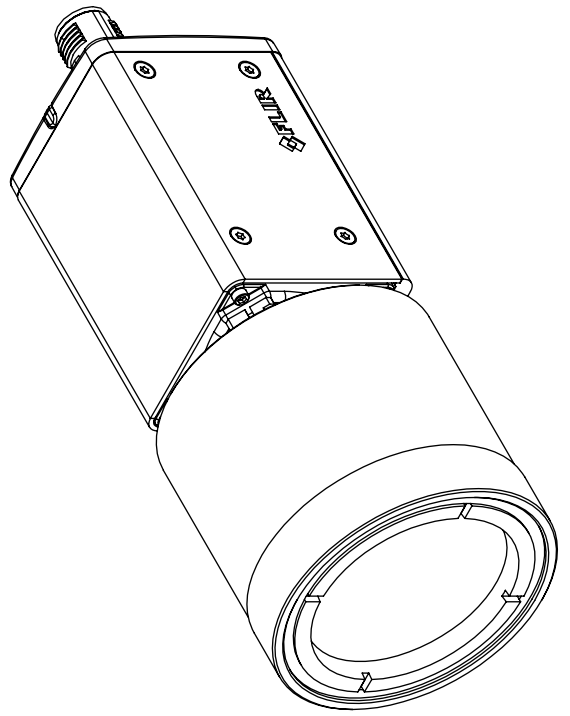
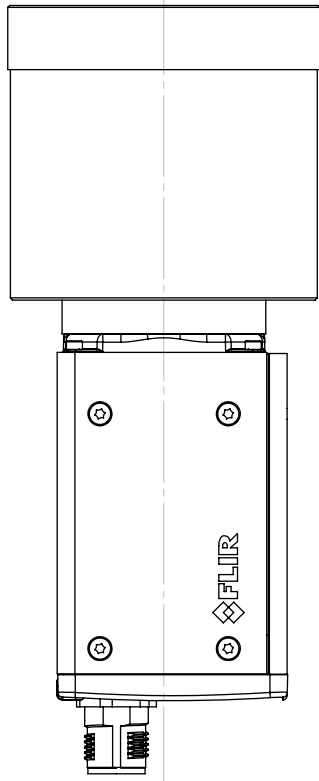
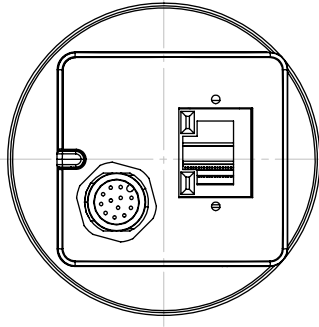
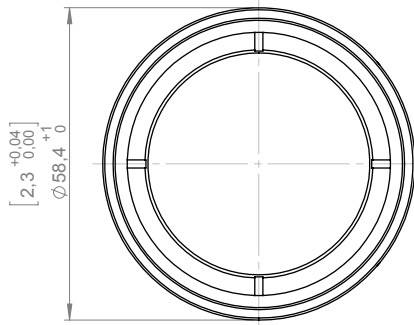
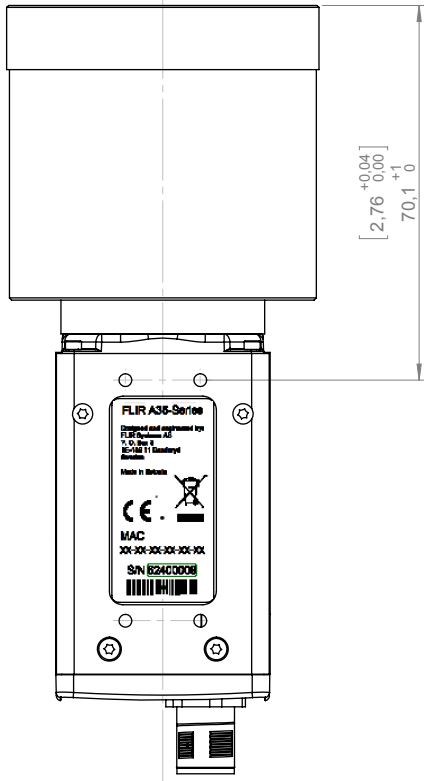
This document must not be communicated or copied completely or in part, without our permission. FLIR SYSTEMS AB

Denna handling får ej delges annan, kopieras i sin helhet eller delar utan vårt medgivande. Övertalade härav beivras med stöd av gällande lag. FLIR SYSTEMS AB

Konstr/Drawn P. MARCUS	Datum/Date 2014-01-29	Kontr/Check MABR	Material -
Ändrad av/Modified by P. MARCUS	Ändrad/Modified 2014-02-11	Ytjämnhet/Roughness Ra	Ytbehandling/Surface treatment µm
Där ej annat anges/Unless otherwise stated Utdrag ur/Excerpt from ISO 2768-m 0.5-6 ±0.1 Hållradier (0.5-6) ±0.2 Fillet radii (120-400) ±0.5 Kanter brutna (400-1000) ±0.8 Edgese broken			
Basic dimensions Ax5 f=7.5 mm to f=100 mm			
Skala/Scale 1:1			Blad/Sheet 4(7)
Artno. T128116			Rev A3
Ritning/Drawing No. T128116			A

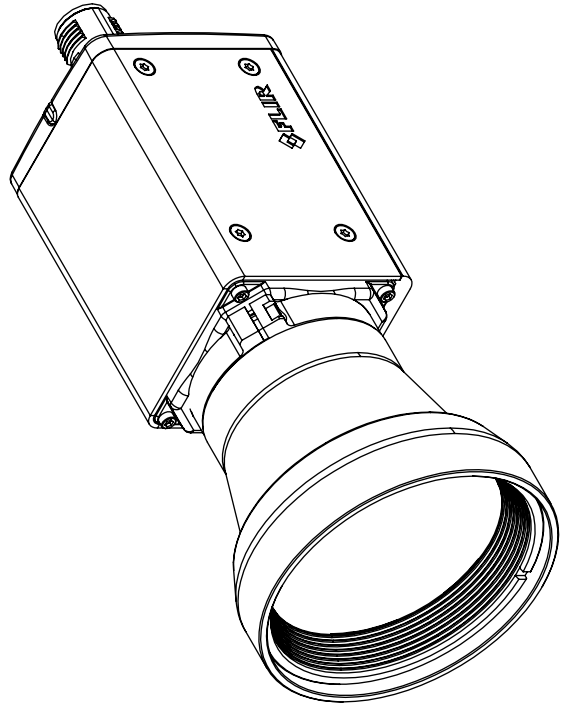
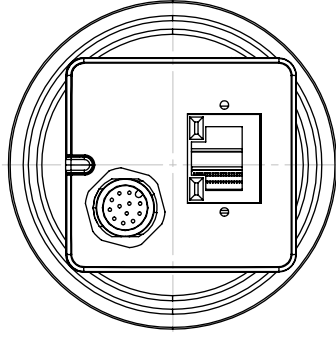
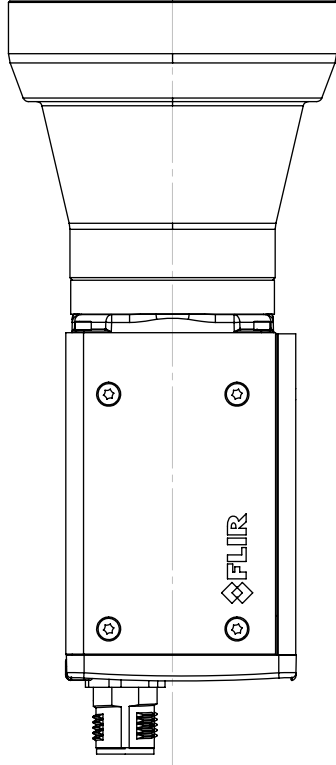
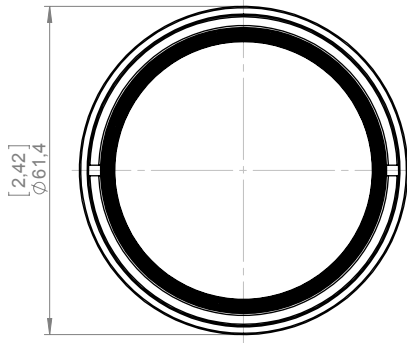
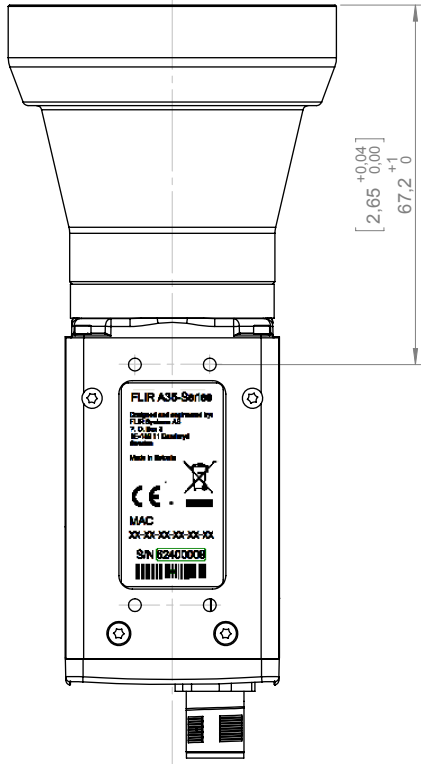


Basic dimensions:
 Camera with focal length
 $f=50$ mm IR lens.
 Only dimensions valid for
 this IR lens.
 For all other dimensions see pages
 1 and 2.



Konstr/Drawn P. MARCUS		Datum/Date 2014-01-29	Kontr/Check MABR	Material -
Ändrad av/Modified by P. MARCUS		Ändrad/Modified 2014-02-11	Ytjämnhet/Roughness Ra	Ytbehandling/Surface treatment µm
Övrigt utöver utgåvan från ISO 2768-m 0,5-6 ±0,1 Hållräddradier (0)-30 ±0,2 Filtrradii (120)-400 ±0,5 Kanter brutna (400)-1000 ±0,8 Edggs broken		Benämning/Denomination Basic dimensions Ax5 f=7,5 mm to f=100 mm		
FLIR		Skala/Scale 1:1	Blad/Sheet 5(7)	Rev A
FLIR SYSTEMS AB		Ärtno. T128116	Ritning/Drawing No. T128116	

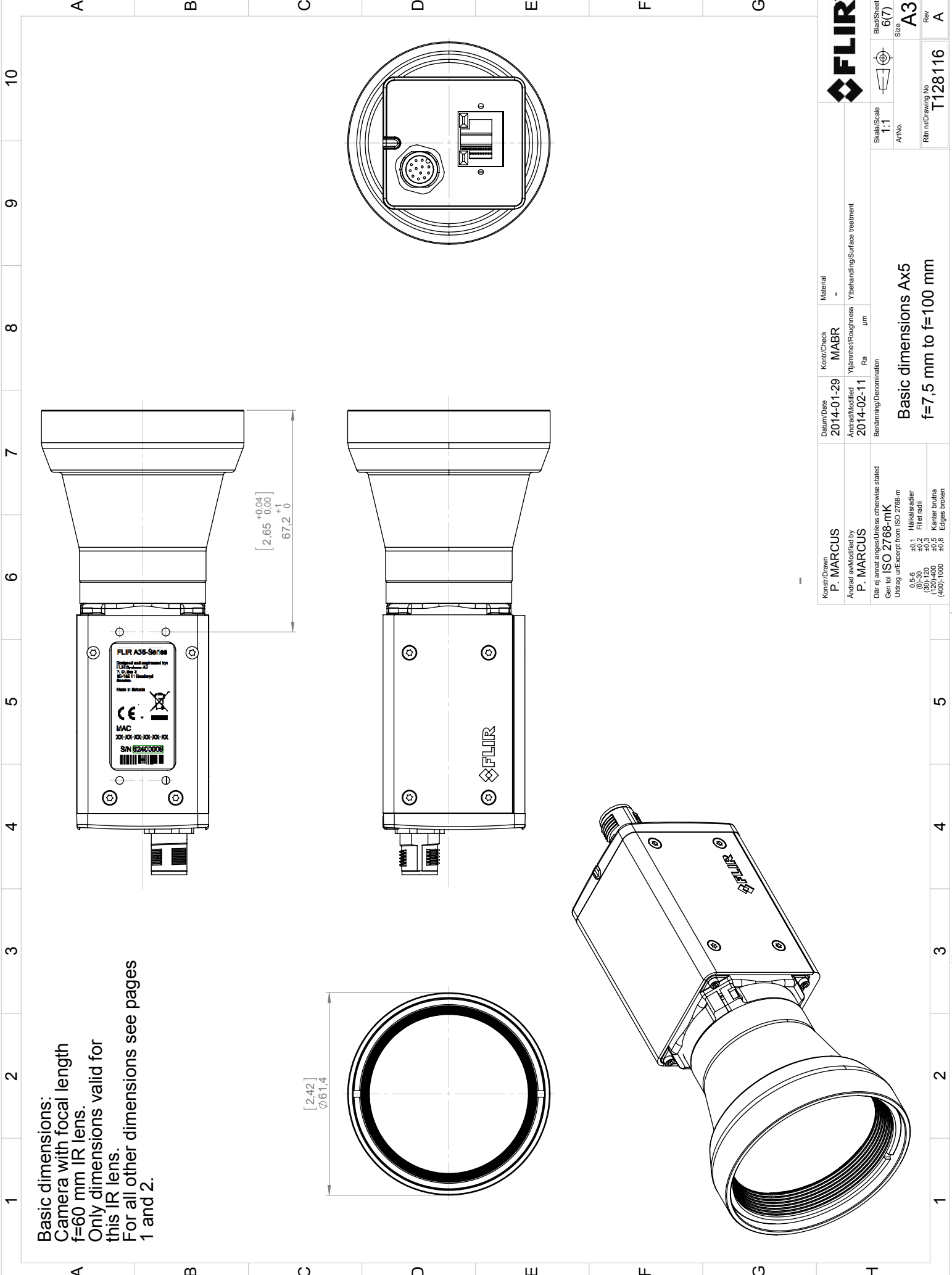
Basic dimensions:
 Camera with focal length
 f=60 mm IR lens.
 Only dimensions valid for
 this IR lens.
 For all other dimensions see pages
 1 and 2.



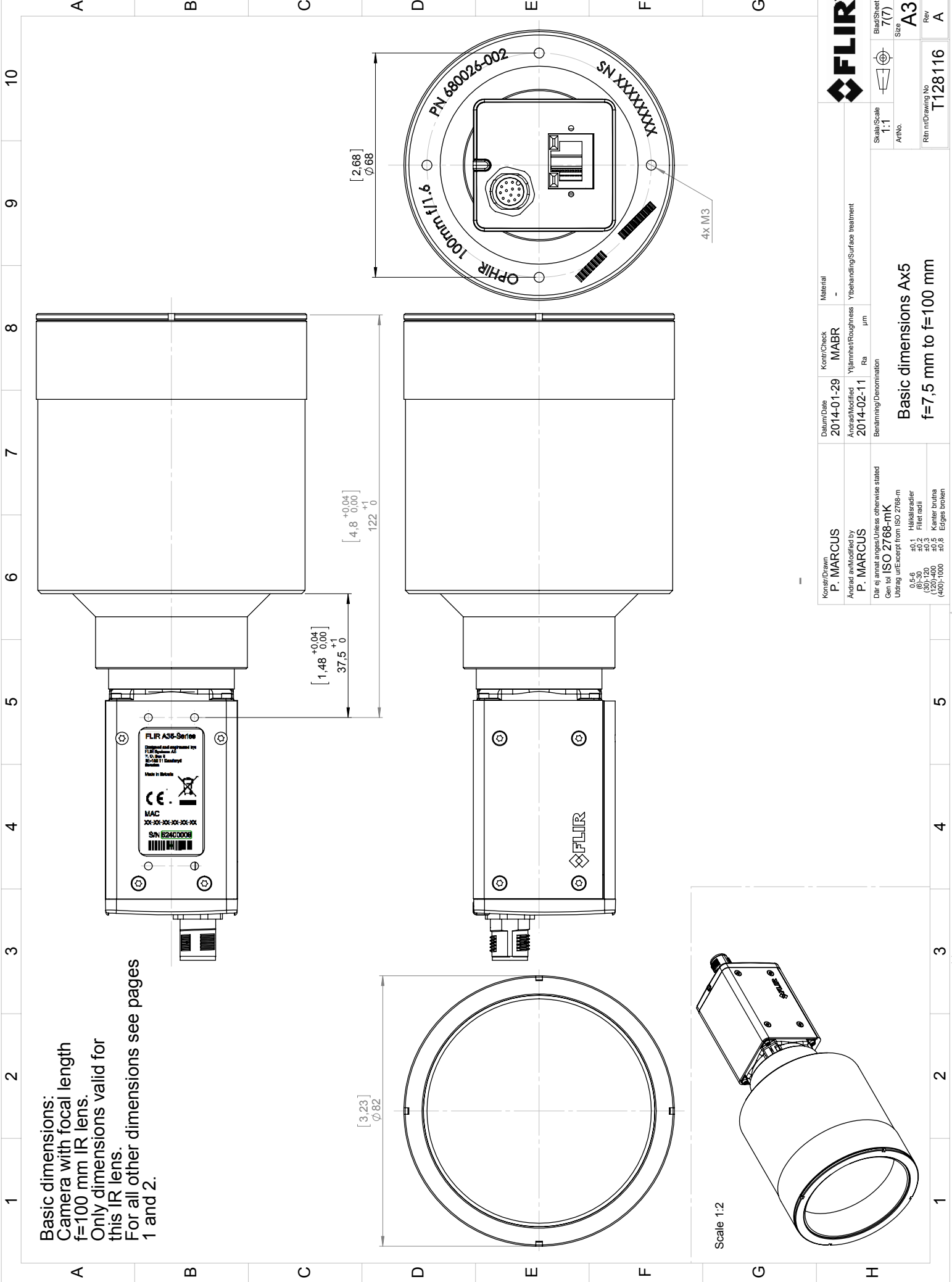
This document must not be communicated or copied completely or in part, without our permission. FLIR SYSTEMS AB

Denna handling får ej delas annan, kopieras i sin helhet eller delar utan vårt medgivande. Övertagelse härav beivras med stöd av gällande lag. FLIR SYSTEMS AB

Konstr/Drawn P. MARCUS	Datum/Date 2014-01-29	Kontr/Check MABR	Material -
Ändrad av/Modified by P. MARCUS	Ändrad/Modified 2014-02-11	Ytjämnhet/Roughness Ra	Ytbehandling/Surface treatment µm
Ön till ISO 2768-mK Utdrag utifrån ISO 2768-m	Där ej annat anges/Unless otherwise stated		
0.5-6	+0.1	Hållkålsradier	
(0.7-2)	+0.2	Filter radii	
(120-400)	+0.5	Kantler brutna	
(400-1000)	+0.8	Edgese broken	
Basic dimensions Ax5			
f=7.5 mm to f=100 mm			
Blad/Sheet 6(7)	Scale/Scale 1:1	Artno. T128116	Rev A
Ritning/Drawing No. T128116			



Basic dimensions:
 Camera with focal length
 f=100 mm IR lens.
 Only dimensions valid for
 this IR lens.
 For all other dimensions see pages
 1 and 2.



FLIR		Blad/Sheet 7(7)		Sjäs A3	
Scale/Scale 1:1		Artno. T128116		Rev A	
Konstr/Drawn P. MARCUS	Datum/Date 2014-01-29	Kontr/Check MABR	Material -	Ytbehandling/Surface treatment	
Ändrad av/Modified by P. MARCUS	Ändrad/Modified 2014-02-11	Ytjämnhet/Roughness Ra	µm	Benämning/Denomination	
Den till ISO 2768-mK Utdrag ur/Excerpt from ISO 2768-m 0,5-6 ±0,1 Hållarsradier 6,3-20 ±0,2 Filleradii 120-400 ±0,5 Kanter brutna 400-1000 ±0,8 Edges broken					
Basic dimensions Ax5 f=7,5 mm to f=100 mm					



The World's Sixth Sense™

May 25, 2018 Täby, Sweden

AQ320295

CE Declaration of Conformity – EU Declaration of Conformity

Product: FLIR Ax5 -series

Name and address of the manufacturer:

FLIR Systems AB

PO Box 7376

SE-187 15 Täby, Sweden

This declaration of conformity is issued under the sole responsibility of the manufacturer.

The object of the declaration: FLIR Ax5 -series.

The object of the declaration described above is in conformity with the relevant Union harmonisation legislation:

Directives:

Directive: 2011/65/EU

RoHS

Directive 2014/30/EU

Electromagnetic Compatibility

Standards:

Emission: EN 61000-6-3:2007

EMC Emission residential, commercial, light-industrial

Immunity: EN 61000-6-2:2005

EMC Immunity for industrial environments

FLIR Systems AB

Quality Assurance

Lea Dabiri

Quality Manager