

P/N: CM55

Copyright

© 2015, FLIR Systems, Inc.

All rights reserved worldwide. Names and marks appearing herein are either registered trademarks or trademarks of FLIR Systems and/or its subsidiaries. All other trademarks, trade names or company names referenced herein are used for identification only and are the property of their respective owners.

Document identity

Publ. No.: CM55

Release:

Commit: 26841

Language:

Modified: 2015-06-15

Formatted: 2015-10-17

Website

<http://www.flir.com>

Customer support

<http://support.flir.com>

Disclaimer

Specifications subject to change without further notice. Camera models and accessories subject to regional market considerations. License procedures may apply. Products described herein may be subject to US Export Regulations. Please refer to exportquestions@flir.com with any questions.



Part number	CM55
Name	Flex Clamp Meter with Bluetooth

P/N: CM55

© 2015, FLIR Systems, Inc.

#CM55; r. /26841;

Description	10" (25 cm) 3000 A true RMS AC flexible current clamp meter with Bluetooth
	<p>The FLIR Flex Clamp Meters with Bluetooth are ergonomic tools designed to simplify difficult current measurements. Made with a narrow flexible coil clamp, the FLIR CM55 and CM57 let you easily take measurements in tight or awkward spots—a difficult task with a traditional hard jaw clamp meter. With Bluetooth communication for remote viewing and data transfer to iOS and Android devices via the FLIR Tools Mobile app, you can analyze and share data fast right from the job site.</p> <p>Take accurate measurements in tight or awkward spots—tricky conductors conquered:</p> <ul style="list-style-type: none"> • Snake the coil around obstacles with ease, even in deep, crowded cabinets. • True RMS AC up to 3000 A for multiple conductor measurements. • Inrush current function for equipment start-up spikes. <p>Easy inspection and navigation—designed with your convenience in mind:</p> <ul style="list-style-type: none"> • Standalone flexible clamp meter displays the readings you need. • Bright, dual-LED worklights provide built-in illumination for dark cabinets. • Drop tested to 3 m, portable, lightweight, and tangle free without compromising measurement range. <p>Remote viewing from a safe distance—transfer and view data on mobile devices with the FLIR Tools Mobile app:</p> <ul style="list-style-type: none"> • Connect to iOS and Android smartphones or tablets. • Multiple units wirelessly connect for remote viewing of multiphase systems. • Data recording for trend analysis transferable via Bluetooth.

Measurement	
Maximum AC	3000 A AC
AC response	True RMS
AC ranges and resolution	30.00 A, 300.0 A, 3000 A
Basic AC accuracy (of reading)	±3.0% + 5 digits
Maximum resolution	0.01 A
Measurement rate	1.5 samples per second, nominal
Display rate	2 times per second
AC bandwidth	45–500 Hz (sine wave)
Inrush current	Minimum 0.5 A, 100 mS
Data record mode	20 000 points , 1 minute sample rate
Detailed accuracy	30.00 A ± (3.0% + 5 digits), 300.0 A ± (3.0% + 5 digits), 3000 A ± (3.0% + 5 digits)
Positional error (distance from optimum)	15 mm (0.6") ± 2.0%, 25 mm (1.0") ± 2.5%, 35 mm (1.4") ± 3.0%

P/N: CM55

© 2015, FLIR Systems, Inc.
#CM55; r./26841;

Meter data	
Display	3000-count LCD with backlight and multi-function indicators
Maximum conductor diameter	6 cm (2.4")
Flex cable length	25 cm (10")
Coil bend radius	38.1 mm (1.5")
Coil diameter	7.5 mm (0.3")
Coil tip diameter	13 mm (0.5")
Display indications	Progressive low battery, over range, hold
Work light	Two white LEDs
Bluetooth range (maximum)	10 m (32')
Wireless ID# (maximum)	Up to 20
Power system	
Power supply	2 × 1.5 V AAA
Battery life	100 hours with alkaline batteries (calculated)
Auto power off	Approximately 10 minutes after power on or disable
Environmental	
Drop test	3 m (9.8')
Maximum operating altitude	2000 m (6562')
Operating temperature	0–50°C (32–122°F)
Operating humidity	Maximum 80% up to 35°C (95°F) decreasing linearly to 60% at 45°C (113°F)
Temperature coefficient	0.2 × specified accuracy/°C, <64.5°F (18°C), >82.4°F (28°C)
Storage temperature	–20 to +60°C (–4 to +140°F) without batteries
Storage humidity	80% relative humidity (maximum)
Certifications	
Agency approvals	FCC Class B, CE, UL
Safety compliance	CAT IV—600 V, CAT III—1000 V
Standards	EN61010-1, EN61010-2-032, EN61326-1
Physical data	
Dimensions (W × H × D)	120 mm × 280 mm × 25 mm (4.7" × 11.0" × 1.0")
Weight	170 g (6.0 oz.) with batteries
Shipping	
Packaging type	Color box
Packaging contents	CM55, 2 × AAA 1.5 V Energizer batteries, quick start guide, user manual on CD
Packaging weight	0.56 kg
Packaging dimensions (L × W × H)	32 cm × 18.5 cm × 6.8 cm
Inner carton quantity	3



FLIR CM55

P/N: CM55

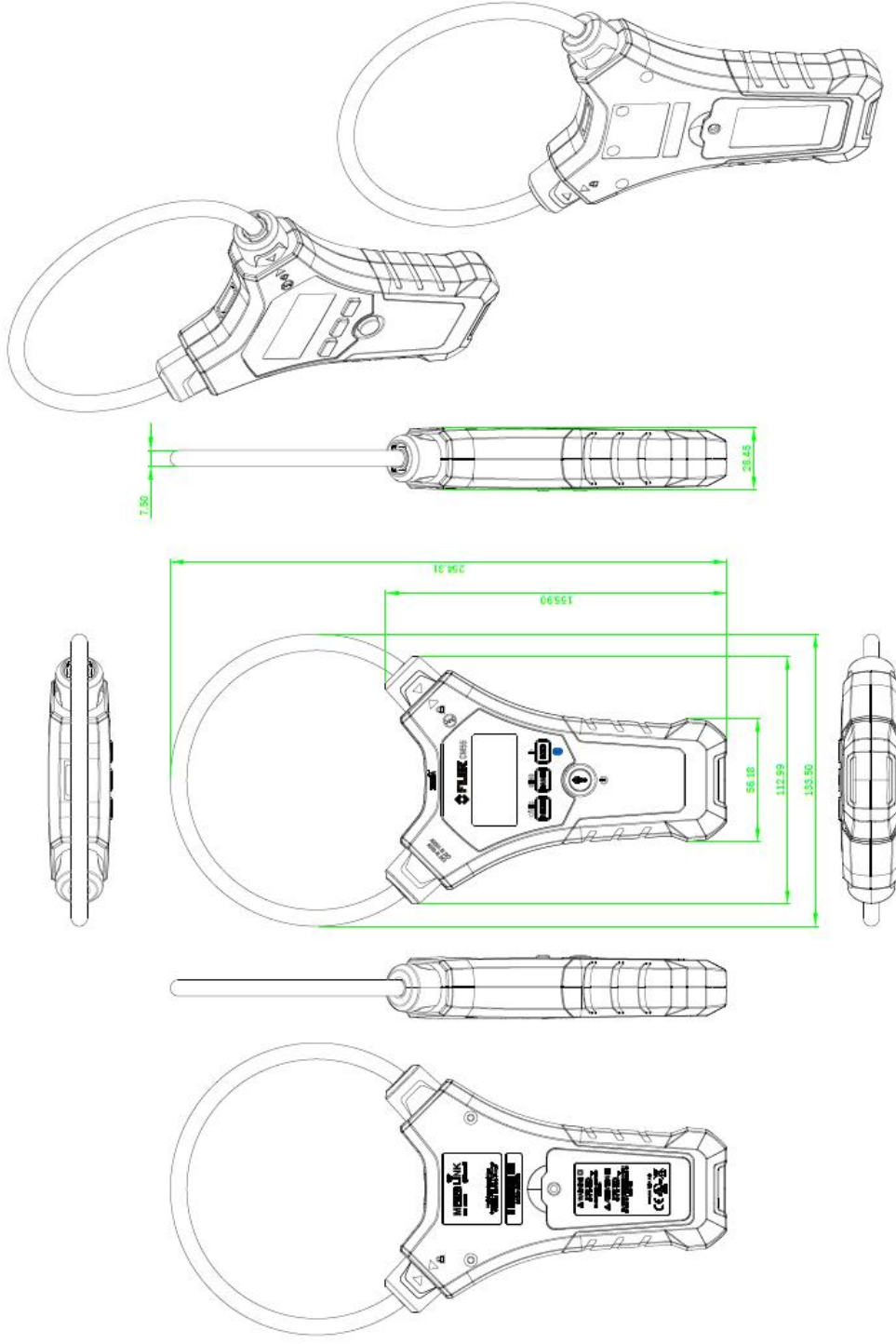
© 2015, FLIR Systems, Inc.

#CM55; r./26841;

Shipping	
Inner carton weight	1.94 kg
Inner carton dimensions (L x W x H)	59.5 cm x 6.3 cm x 20.3 cm
Master carton quantity	12
Master carton weight	9.5 kg
Master carton dimensions (L x W x H)	61 cm x 50 cm x 22 cm
EAN-13	0793950370551
UPC-12	793950370551
Country of origin	Taiwan
Tariff code	9030310000

Technical support	
Website	http://support.flir.com
E-mail	TMSupport@flir.com
Phone	855-499-3662
Repairs	repair@flir.com

© 2015, FLIR Systems, Inc. All rights reserved worldwide. No part of this drawing may be reproduced, stored in a retrieval system, or transmitted in any form, or by any means, electronic, mechanical, photocopying, recording, or otherwise, without written permission from FLIR Systems, Inc. Specifications subject to change without further notice. Dimensional data is based on nominal values. Products may be subject to regional market considerations. License procedures may apply. Product may be subject to US Export Regulations. Please refer to exportquestions@flir.com with any questions. Diversion contrary to US law is prohibited.



Modified Date Thursday, April 23, 2015	Modified By T&M Engineering
Description FLIR CM55 Flex Clamp Meter	