



# FLIR IRW-2S: 2in Round Infrared Inspection Window (Stainless Steel)

## P/N: 19250-200

### Copyright

© 2020, FLIR Systems, Inc.

All rights reserved worldwide. Names and marks appearing herein are either registered trademarks or trademarks of FLIR Systems and/or its subsidiaries. All other trademarks, trade names or company names referenced herein are used for identification only and are the property of their respective owners.

### Document identity

Publ. No.: 19250-200

Commit: 57386

Language:

Modified: 2019-05-22

Formatted: 2020-06-17

### Website

<http://www.flir.com>

### Customer support

<http://support.flir.com>

### Disclaimer

Specifications subject to change without further notice. Camera models and accessories subject to regional market considerations. License procedures may apply. Products described herein may be subject to US Export Regulations. Please refer to [exportquestions@flir.com](mailto:exportquestions@flir.com) with any questions.



Part name	IRW-2S
Material number	19250-200
Part description	Stainless steel IR window, 2" diameter
<p>This device is a viewport that consist of a crystal "glass" window mounted in an aluminum frame. The glass is specially formulated to allow transmission of infrared (IR) light to allow use of IR thermal sensing equipment without opening the enclosure. This device is intended for installation in doors or walls of electrical enclosures without compromising the integrity of the enclosure.</p>	
<b>Power system</b>	
Voltage	Any range
<b>Lens</b>	
Waveband	Broadband IR: short-, mid-, and longwave
Visible light spectrum	Yes
<b>Certifications</b>	
Certifications	UL, IP67, NEMA Type 4/12, CSA
<b>Physical data</b>	
Weight	0.5 kg (1 lb.)
Dimensions (H x W x L)	26.9 mm x 99 mm x 107 mm (1.05" x 3.89" x 4.22")
Material	Optics: CaF <sub>2</sub> (calcium fluoride crystal). Body: stainless steel AISI 316. Hardware: steel
Color	Metallic silver
<b>Shipping information</b>	
Packaging type	Color box
Packaging contents	<ul style="list-style-type: none"> <li>IR window</li> <li>Case</li> <li>Mounting instructions</li> <li>Additional safety screw</li> </ul>
Unit weight	0.54 kg (1.2 lb)



## FLIR IRW-2S: 2in Round Infrared Inspection Window (Stainless Steel)

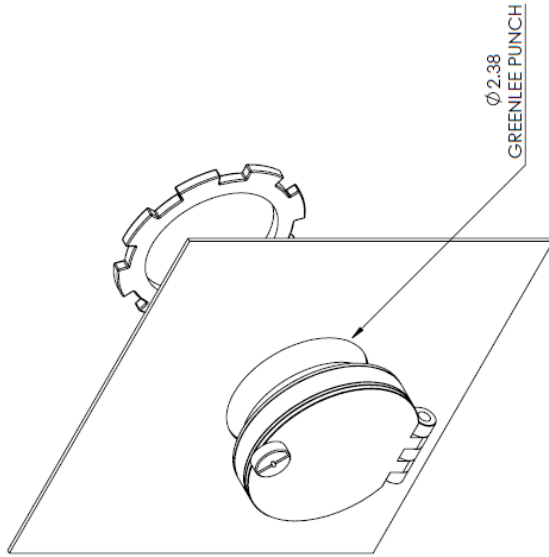
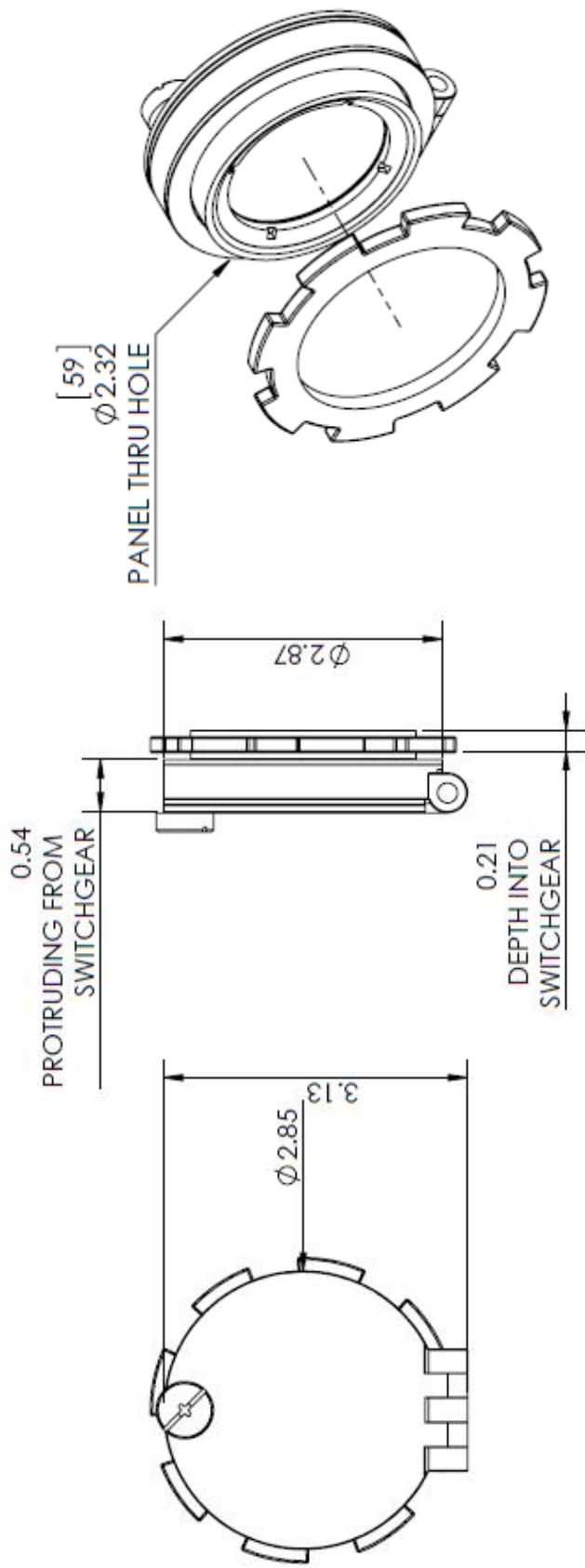
**P/N: 19250-200**

© 2020, FLIR Systems, Inc.

#19250-200; r. 57386;

<b>Shipping information</b>	
Each dimensions (H x W x L)	38.1 mm x 107.95 mm x 127 mm (1.5" x 4.25" x 5")
EAN-13	4743254001510
UPC-12	845188007584
Country of origin	Estonia
Tariff Code	9027.90.5450
<b>Technical support</b>	
Website	<a href="http://support.flir.com">http://support.flir.com</a>

© 2015, FLIR Systems, Inc. All rights reserved worldwide. No part of this drawing may be reproduced, stored in a retrieval system, or transmitted in any form, or by any means, electronic, mechanical, photocopying, recording, or otherwise, without written permission from FLIR Systems, Inc. Specifications subject to change without further notice. Dimensional data is based on nominal values. Products may be subject to regional market considerations. License procedures may apply. Product may be subject to US Export Regulations. Please refer to exportquestions@flir.com with any questions. Diversion contrary to US law is prohibited.



<b>Modified Date</b> Tuesday, November 10, 2015	<b>Modified By</b> T&M Engineering
<b>Description</b> IRW-2C, IRW-2S	
<b>Units</b> Inches (Millimeters)	<b>Scale</b> Not to Scale



**FLIR COMMERCIAL SYSTEMS, INC.**

9 Townsend West, Nashua NH 03063 / Phone: 603.324.7800 / Fax: 603.324.7864

## ***Declaration of Conformity***

**Extech Model:** IRW 2C/2S, 3C/3S, 4C/4S

**Description:** FLIR IR Windows

**Date of Issue:** 16-May-19

We, FLIR Commercial Systems, Inc., 9 Townsend West, Nashua, NH 03063 declare the status of the product above with regard to RoHS/REACH SVHC/PROP-65.

### **RoHS**

**RoHS Status:** Not in Scope

### **REACH SVHC**

**REACH Status:** Compliant

**REACH Directive:** 1907/2006 Article 33 (January 15, 2019)

### **PROP-65**

**Prop-65 Status:** Compliant

Substance List updated November 28, 2018

The product identified above has been tested to the appropriate standards and protocols to guarantee the results as presented.

Attested to by:

A handwritten signature in black ink that reads "Mark Sultzbach". The signature is written in a cursive style and is positioned above a horizontal line.

Mark Sultzbach / QA Manager