



FLIR IRW-3S: 3in Round Infrared Inspection Window (Stainless Steel)

P/N: 19251-200

Copyright

© 2020, FLIR Systems, Inc.

All rights reserved worldwide. Names and marks appearing herein are either registered trademarks or trademarks of FLIR Systems and/or its subsidiaries. All other trademarks, trade names or company names referenced herein are used for identification only and are the property of their respective owners.

Document identity

Publ. No.: 19251-200

Commit: 57385

Language:

Modified: 2019-05-22

Formatted: 2020-06-17

Website

<http://www.flir.com>

Customer support

<http://support.flir.com>

Disclaimer

Specifications subject to change without further notice. Camera models and accessories subject to regional market considerations. License procedures may apply. Products described herein may be subject to US Export Regulations. Please refer to exportquestions@flir.com with any questions.



Part name	IRW-3S
Material number	19251-200
Part description	Stainless steel IR window, 3" diameter
	This device is a viewport that consist of a crystal "glass" window mounted in an aluminum frame. The glass is specially formulated to allow transmission of infrared (IR) light to allow use of IR thermal sensing equipment without opening the enclosure. This device is intended for installation in doors or walls of electrical enclosures without compromising the integrity of the enclosure.
Power system	
Voltage	Any range
Environmental	
Environment	Indoor/outdoor type 4/12
Operating temperature range	Maximum: 260°C (500°F)
Storage temperature range	Optics, maximum: 1357°C (2474°F)
Certifications	
Certifications	UL, IP67, NEMA Type 4/12, CSA
Physical data	
Weight:	0.7 kg (1.55 lb.)
Dimensions (H x W x L)	26.9 mm x 99 mm x 107 mm (1.05" x 3.89" x 4.22")
Material	Optics: CaF ₂ (calcium fluoride crystal). Body: stainless steel AISI 316. Hardware: steel
Color	Metallic silver
Lens	
Waveband	Broadband IR: short-, mid-, and longwave
Visible light spectrum	Yes



FLIR IRW-3S: 3in Round Infrared Inspection Window (Stainless Steel)

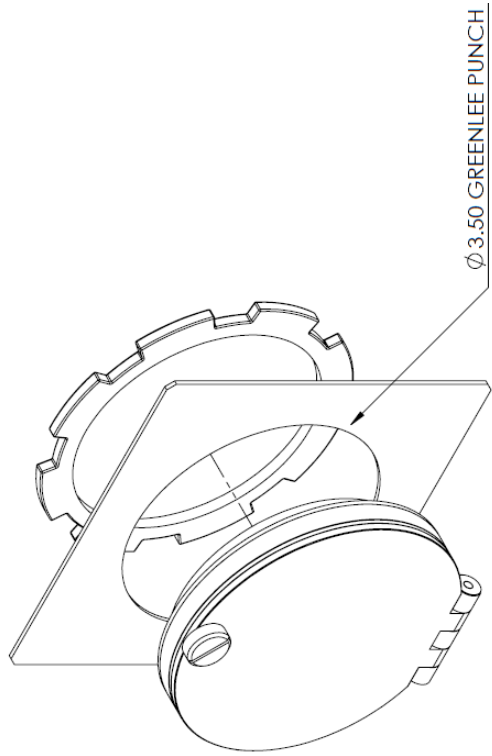
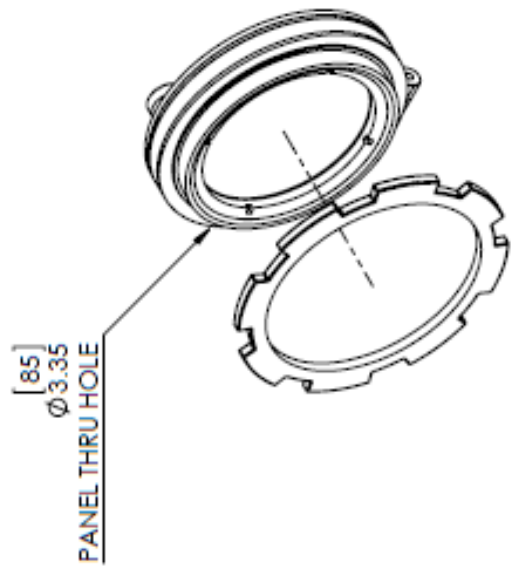
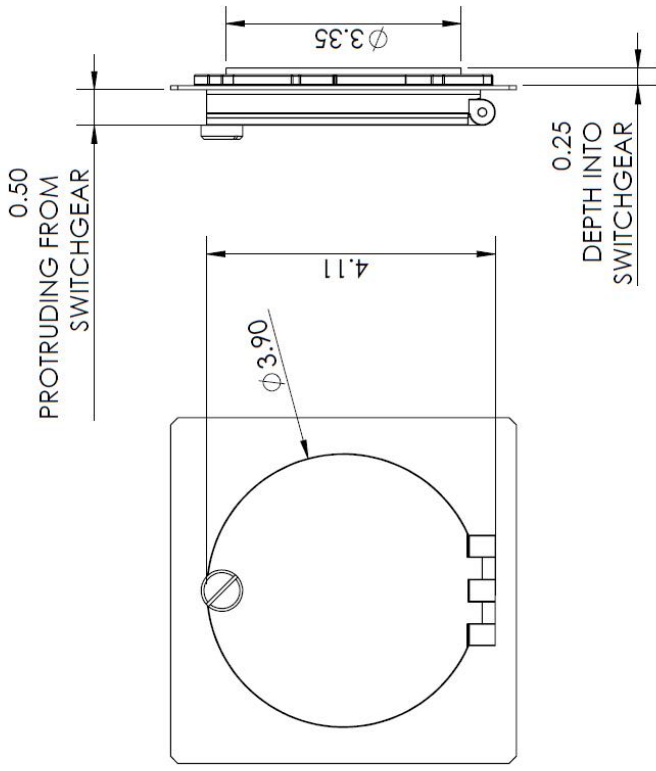
P/N: 19251-200

© 2020, FLIR Systems, Inc.

#19251-200; r. 57385;

Shipping information	
Packaging type	Color box
Packaging contents	<ul style="list-style-type: none">• IR window• Case• Mounting instruction• Additional safety screw
Unit weight	0.77 kg (1.7 lb.)
Unit dimensions (H × W × L)	38.1 mm × 127 mm × 139.7 mm (1.5" × 5" × 5.5")
EAN-13	4743254001527
UPC-12	845188007591
Country of origin	Estonia
Tariff code	9027.90.5450
Technical support	
Website	http://support.flir.com

© 2015, FLIR Systems, Inc. All rights reserved worldwide. No part of this drawing may be reproduced, stored in a retrieval system, or transmitted in any form, or by any means, electronic, mechanical, photocopying, recording, or otherwise, without written permission from FLIR Systems, Inc. Specifications subject to change without further notice. Dimensional data is based on nominal values. Products may be subject to regional market considerations. License procedures may apply. Product may be subject to US Export Regulations. Please refer to exportquestions@flir.com with any questions. Diversion contrary to US law is prohibited



Modified Date Tuesday, November 10, 2015	Modified By T&M Engineering
Description IRW-3C, IRW-3S	
Units Inches (Millimeters)	Scale Not to Scale



FLIR COMMERCIAL SYSTEMS, INC.

9 Townsend West, Nashua NH 03063 / Phone: 603.324.7800 / Fax: 603.324.7864

Declaration of Conformity

Extech Model: IRW 2C/2S, 3C/3S, 4C/4S

Description: FLIR IR Windows

Date of Issue: 16-May-19

We, FLIR Commercial Systems, Inc., 9 Townsend West, Nashua, NH 03063 declare the status of the product above with regard to RoHS/REACH SVHC/PROP-65.

RoHS

RoHS Status: Not in Scope

REACH SVHC

REACH Status: Compliant

REACH Directive: 1907/2006 Article 33 (January 15, 2019)

PROP-65

Prop-65 Status: Compliant

Substance List updated November 28, 2018

The product identified above has been tested to the appropriate standards and protocols to guarantee the results as presented.

Attested to by:

A handwritten signature in black ink that reads "Mark Sultzbach". The signature is written in a cursive style and is positioned above a horizontal line.

Mark Sultzbach / QA Manager