

P/N: MR06

Copyright

© 2021, FLIR Systems, Inc.

All rights reserved worldwide. Names and marks appearing herein are either registered trademarks or trademarks of FLIR Systems and/or its subsidiaries. All other trademarks, trade names or company names referenced herein are used for identification only and are the property of their respective owners.

Document identity

Publ. No.: MR06

Commit: 64571

Language: en-US

Modified: 2020-03-18

Formatted: 2021-06-30

Website

<http://www.flir.com>

Customer support

<http://support.flir.com>

Disclaimer

Specifications subject to change without further notice. Camera models and accessories subject to regional market considerations. License procedures may apply. Products described herein may be subject to US Export Regulations. Please refer to exportquestions@flir.com with any questions.



General description	
Part number	MR06
Part name	Wall Cavity Probe
<p>The FLIR MR06 Wall Cavity Probe expands the functionality of your FLIR moisture meter by allowing you to easily measure insulation moisture levels within a wall cavity and the inside face of exterior walls.</p> <p>FLIR's new insulated pins are smaller in diameter—requiring minimal force to drive the pins into a surface—resulting in less impact to the material. The sandblasted, hardened-steel pins with a single-piece design prevent bending and create an improved bonding surface for the abrasion-resistant insulation. The insulation extends all the way to the connection to the probe, so even if you drive the pins all the way into the wall cavity, the drywall will not affect the measurement.</p> <ul style="list-style-type: none"> • Insulated pins designed for increased durability. • Rubberized ergonomic grips reduce slippage. • Detachable cord with a durable BNC connection. • Pins included: 1 pair of 4 in. pins, 1 pair of 6 in. pins. • Impact plate to drive pins through a drywall. 	
Meter data	
Suitable main unit	MR77, MR160, MR176
Cable length	2.45 m (8 ft) uncoiled
Included insulated pin pairs and length	1 pair of 4 in. (101 mm), 1 pair of 6 in. (152 mm)
Warranty	https://www.flir.com/testwarranty
Meter physical data	
Weight:	0.50 kg (1.10 lb)
Dimensions (H x W x L)	4.5 x 5.97 x 28.49 cm (1.8 x 2.4 x 11.2 in)
Material	PC-ABS
Color	Black
Shipping information	
Packaging type	Color retail packaging
Packaging contents	MR06, 1 pair 4 in. insulated pins, 1 pair 6 in. insulated pins, cable, impact plate, pin wrench
Packaging weight	0.6 kg (1.3 lb)
Packaging dimensions (H x W x L)	5.3 x 12.3 x 19.5 cm (2 x 4.9 x 7.7 in)
Master carton weight	11 kg (24.24 lb)
Master carton dimensions (H x W x L)	24 x 28 x 44.5 cm (9.5 x 11 x 17.5 in)
Master carton quantity	16
EAN-13	0793950370063
UPC-12	793950370063



Wall Cavity Probe

P/N: MR06

© 2021, FLIR Systems, Inc.

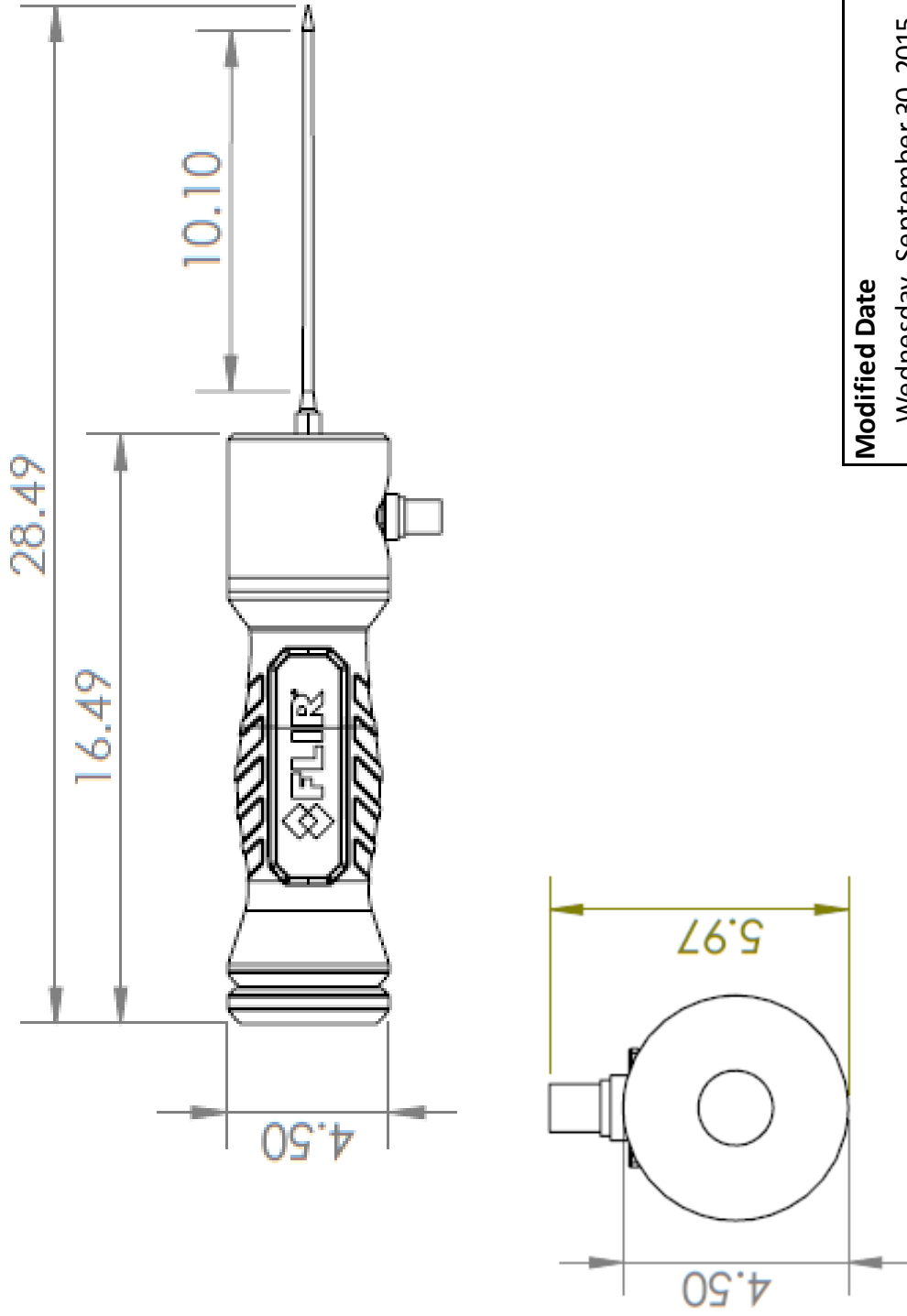
#MR06; r. 64571; en-US

Shipping information	
Country of origin	China
Tariff code	9025900000
Technical support	
Website	http://support.flir.com
Replacement parts	
MR-PINS4	4 inch pins for MR06, MR07, MR08, includes 1 pair of pins
MR-PINS6	6 inch pins for MR06, MR07, MR08, includes 1 pair of pins
MR-PINS2	2 inch pins for MR06, MR07, MR08, includes 1 pair of pins
MR-PINS2-10	2 inch pins for MR06, MR07, MR08, includes 10 pairs of pins

Compatible with the following products:

- MR160; FLIR MR160: Imaging Moisture Meter with IGM
- MR176; FLIR MR176: Imaging Moisture Meter Plus with IGM
- MR265; FLIR MR265: Moisture Meter and Thermal Imager with MSX
- MR277; FLIR MR277: Building Inspection System with Moisture Hygrometer and MSX IR Camera
- MR60; FLIR MR60: Moisture Meter Pro
- MR77; FLIR MR77: Pinless moisture psychrometer with infrared thermometer and Bluetooth METERLINK

© 2015, FLIR Systems, Inc. All rights reserved worldwide. No part of this drawing may be reproduced, stored in a retrieval system, or transmitted in any form, or by any means, electronic, mechanical, photocopying, recording, or otherwise, without written permission from FLIR Systems, Inc. Specifications subject to change without further notice. Dimensional data is based on nominal values. Products may be subject to regional market considerations. License procedures may apply. Product may be subject to US Export Regulations. Please refer to exportquestions@flir.com with any questions. Diversion contrary to US law is prohibited.



Modified Date Wednesday, September 30, 2015	Modified By T&M Engineering
Description FLIR MR07 Hammer Probe	
Units Centimeters	Scale Not to Scale