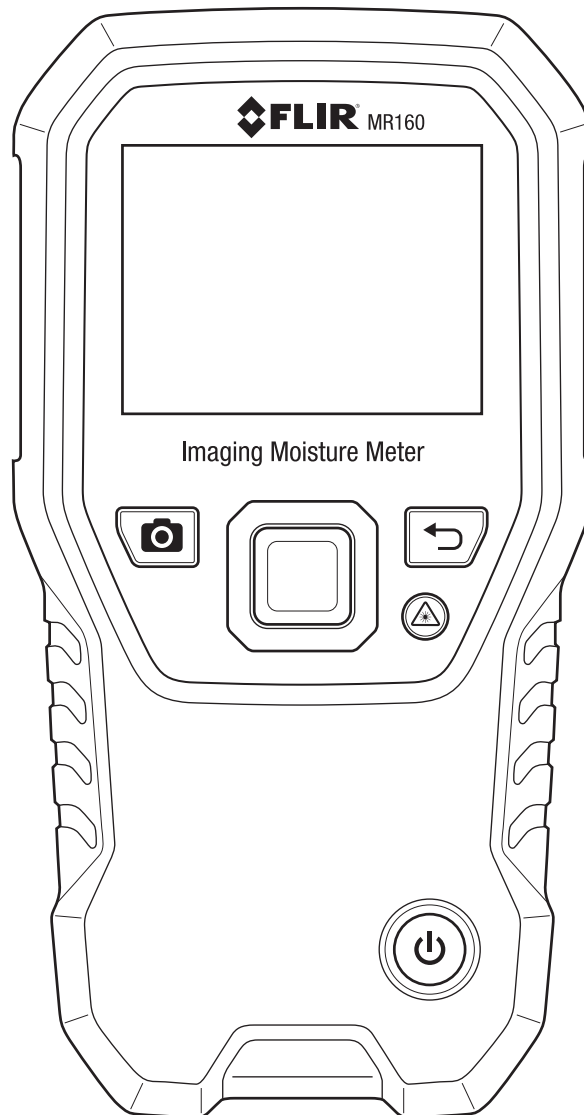

FLIR MR160

Imaging Moisture Meter



USER GUIDE LOCATION: The detailed User Guide, in electronic format, is supplied in the product package. Please read the entire User Guide to gain a thorough understanding of the MR160.

Register for Extended Warranty and Product Updates at www.flir.com/testwarranty

Quick Steps

- Charge the battery using the supplied USB cable
- Press to power ON (press and hold to power OFF)
- The MR160 first powers up in the IR + Moisture (pinless) mode. Use the Main Menu to change mode (Press Select button)
- View IR (infrared) thermal Image and Moisture reading on display
- Press the Laser button for laser and display crosshairs activation
- Place the internal pinless Moisture sensor against a test surface (apply light pressure) to take relative Moisture measurements
- Press the image capture button to store a screen-shot. Use Image Review mode (from Main Menu) to view stored images
- Refer to the informative User Guide for detailed instructions on External Probe use, Material Groups, Relative (Set Reference) mode, High Alarm, and more
- For Fig. 1 at right, see the descriptions below:
 1. Color Graphical Display
 2. Screen Image Capture button
 3. Four (4) Navigation buttons (rim)
 4. Select button (center)
 5. Back button
 6. Laser Pointer / Cross-hairs button
 7. Power button
 8. Ext. Probe jack / USB port / Charging LED
 9. Laser pointer lens (back)
 10. Thermal imaging lens (back)
 11. Internal Pinless Moisture sensor (back)
 12. USB Port (bottom)
 13. External Probe Jack (bottom)
 14. Battery Charging LED status lamp (bottom)

Button Overview

| | |
|--|--|
| | Press to record and store an image (screen-shot) |
| | Press to back out of (return from) a menu screen |
| | Press for laser pointer and display cross-hairs |
| | Press to power ON. Press & hold to power OFF |
| | Press Select (center button) to access Main Menu Use the outer 'rim' buttons to navigate up-down-left-right |

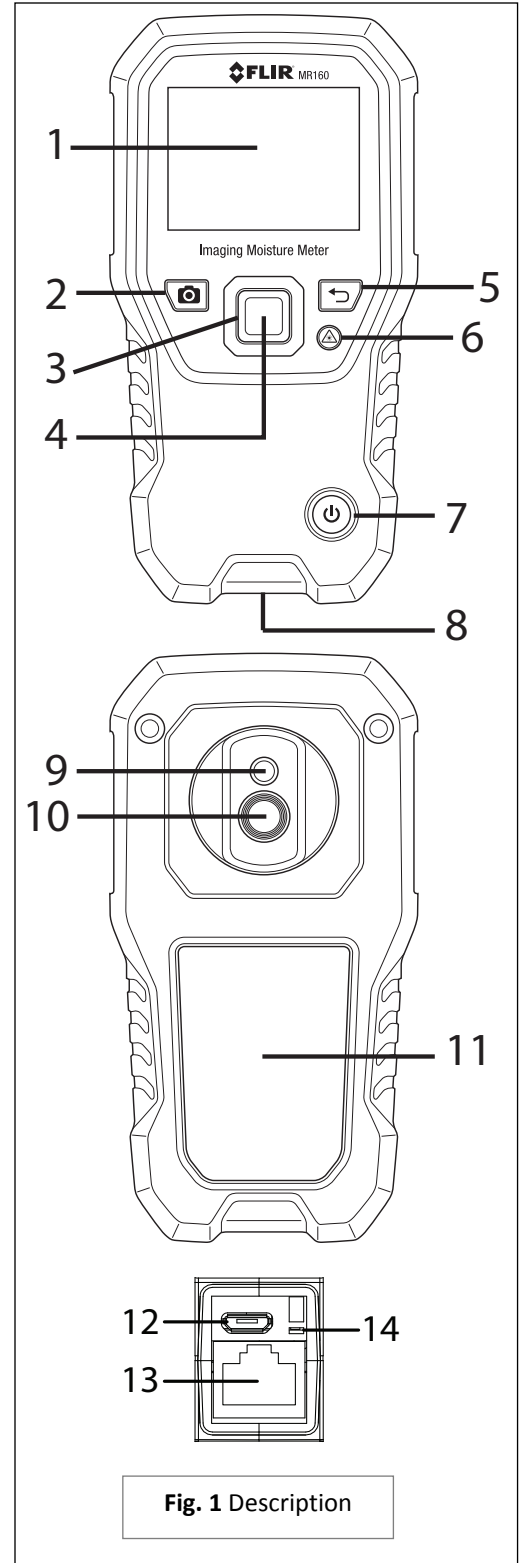



Fig. 1 Description

Main Menu

Press the Select button to access the Main Menu (Fig. 2) and to select icons. Use the four navigation buttons to move left-right-up-down. Use the Back button  to move out of a menu. Main Menu icons are:

1. Image Review mode (view stored display images)
2. Image mode options
3. Moisture mode options
4. SETTINGS mode
5. Help screen (contact information)

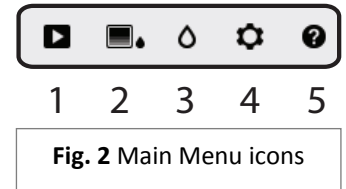
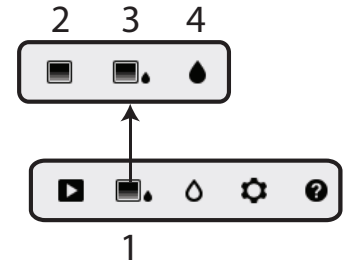


IMAGE Mode Selection

Press Select to access the Main Menu and then select the IMAGE mode icon (1). See Fig. 3. Choose IR Image-only (2), IR + Moisture (3), or Moisture-only (4).

1. Image mode icon from the Main Menu
2. IR Image mode only
3. IR Image + Moisture reading
4. Moisture reading only

Fig. 3 Selecting an Image mode

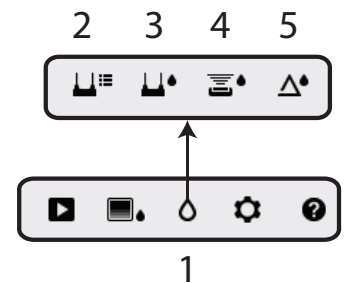


MOISTURE Mode Selection

Press Select for the Main Menu and select the MOISTURE mode icon (1). See Fig. 4. Choose a Moisture mode (items 2, 3, 4, and 5) as described below.

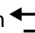
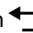
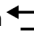
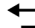
1. Moisture Mode Icon from the Main Menu
2. MATERIAL GROUP: Select a material wood group
3. PIN MODE: For external pin-based probe use
4. PINLESS MODE: For internal sensor use
5. SET REFERENCE: Compare displayed readings to a stored reference (pinless mode only)

Fig. 4 Selecting a Moisture mode



Settings Menu

Access SETTINGS by pressing the Select button and selecting the SETTINGS mode icon:

1. **LANGUAGE:** From the SETTINGS menu, scroll to **Language** and press Select. Use the Navigation and Select buttons to select language. The selected language will show a blue dot to its right. Press Select to return to the SETTINGS menu.
2. **DATE & TIME:** From the SETTINGS menu, scroll to **Date & Time** and press Select. Use the Navigation and Select buttons to program the Year, Month, Day, Hour, & Minute. Press Select to save and return to the SETTINGS Menu or press the Back button  to cancel.
3. **ALARM:** From the SETTINGS menu, scroll to **Alarm** and press Select. Use the Navigation and Select buttons to set the alarm threshold and to switch the alarm ON/OFF. Press Select to save and return to the SETTINGS Menu or press the Back button  to cancel.
4. **AUTO POWER OFF:** From the SETTINGS menu, scroll to **Auto Power OFF** and then use the Select button to scroll through the options (1, 5, 20 minutes, or OFF). Navigate to another SETTINGS option or press the back button  to exit the SETTINGS mode.
5. **METER INFORMATION:** From the SETTINGS menu, scroll to **Meter Information** and press Select to view the Model, Software Version, and Last Calibration Date. Press the back button  to return to the SETTINGS menu.

Basic Display Descriptions (Refer to Fig. 5)

1. IR Image
2. Cross-hairs (press Laser button)
3. 'Set Reference' Value
4. High Moisture Alarm
5. Moisture measurement reading
6. Icon area (pinless mode shown)
7. Laser pointer active (press Laser)
8. Moisture reading - digital format
9. Moisture reading - bargraph format
10. High Moisture Alarm
11. 'Set Reference' Value

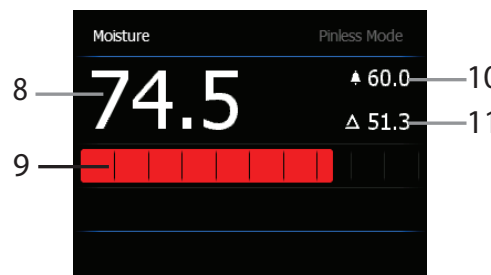


Fig. 5a Moisture-only mode

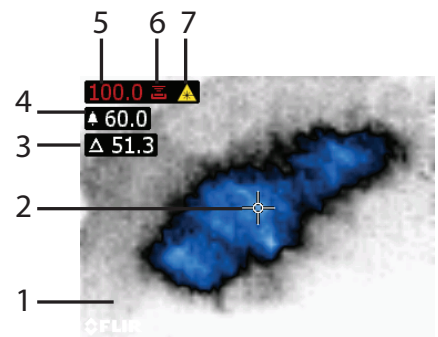


Fig. 5b IR + Moisture mode

Copyright © 2015 FLIR Systems, Inc.

All rights reserved including the right of reproduction in whole or in part in any form.

www.flir.com



Corporate Headquarters

FLIR Systems, Inc.
2770 SW Parkway Avenue
Wilsonville, OR 97070
USA
Telephone: +1 503-498-3547

Customer Support

| | |
|----------------------------|---|
| Technical Support Website | http://support.flir.com |
| Technical Support Email | TMSupport@flir.com |
| Service and Repair Email | Repair@flir.com |
| Customer Support Telephone | +1 855-499-3662 (toll free) |

Certificate of Conformity and ISO-9001 Quality Management System

FLIR Commercial Systems, Inc., an ISO 9001:2008 certified company, hereby certify that our instruments meet or exceed the specifications stated in the user manuals.

This instrument was produced under the stringent guidelines of FLIR Commercial System's certified ISO-9001 Quality Management System from design to delivery. All instruments are calibrated and inspected to meet the stated specifications.

FLIR Commercial Systems, Inc. inspects its incoming shipments using an approved sampling plan with an Acceptable Quality Level (AQL). All incoming inspections are performed using test equipment that is traceable to National Standards. Our ISO-9001 Quality Management System extends to aftermarket support where tested quality procedures are applied to customer support, service, calibration and repair processes.

This instrument will provide years of reliable service when used in accordance with the instructions provided in the User Guide. To have this device certified please contact your local service center.

Quality Assurance Management



| | |
|---------------------------------|---------------|
| Publication Identification No.: | MR160-QS-mul |
| Release version: | AA |
| Release Date: | 2015 February |
| Language: | Multiple |