

P/N: T198059

Copyright

© 2020, FLIR Systems, Inc.

All rights reserved worldwide. Names and marks appearing herein are either registered trademarks or trademarks of FLIR Systems and/or its subsidiaries. All other trademarks, trade names or company names referenced herein are used for identification only and are the property of their respective owners.

Document identity

Publ. No.: T198059
 Commit: 42932
 Language: en-US
 Modified: 2017-05-30
 Formatted: 2020-06-17

Website

<http://www.flir.com>

Customer support

<http://support.flir.com>

Disclaimer

Specifications subject to change without further notice. Camera models and accessories subject to regional market considerations. License procedures may apply. Products described herein may be subject to US Export Regulations. Please refer to exportquestions@flir.com with any questions.



General description	
For R&D usage or development purposes. As an example looking at PCB's or small electronic components.	
Imaging and optical data	
Field of view (FOV)	32 x 24 mm (40 mm diagonally)
Magnifying factor	2.9x
Working distance	84 mm
Depth of field	0.65 mm
Focal length	78 mm
Spatial resolution (IFOV)	50 µm
Lens identification	Manual
F-number	1.0
Number of lenses	2 (2 asph)
MTF @ 70% of FOV	Normal requirements (52%)
Distortion	3%
Lens note	The close-up lens is mounted on the 25° lens
Physical data	
Weight	0.197 kg (0.43 lb.)
Size (L x D)	32 x 67 mm
Front lens diameter	53 mm
Shipping information	
Packaging, type	Cardboard box
List of contents	<ul style="list-style-type: none"> • Lens • Front lens cap • Rear lens cap • Case • Instruction for mounting close-up lenses
Packaging, weight	0.440 kg (0.97 lb.)
Packaging, size	172 x 131 x 133 mm (6.8 x 5.2 x 5.2 in.)
EAN-13	7332558005583
UPC-12	845188005795
Country of origin	Sweden



Close-up IR lens, 2.9× (50 μm) with case

P/N: T198059

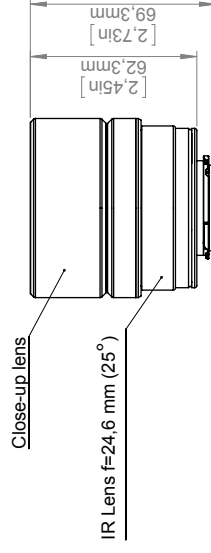
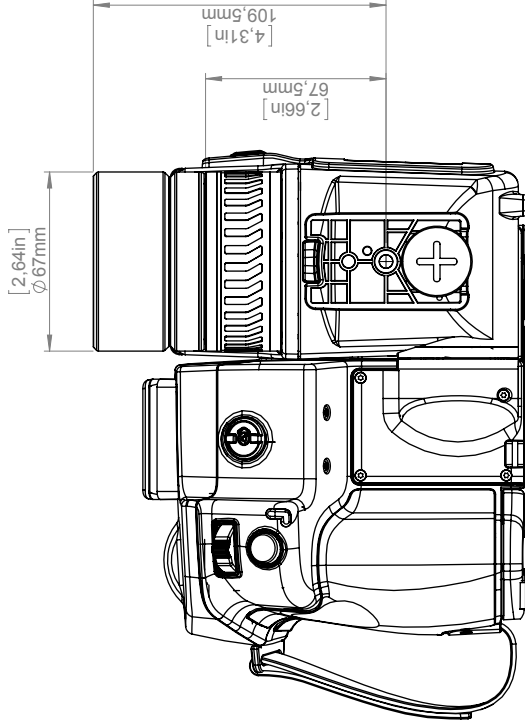
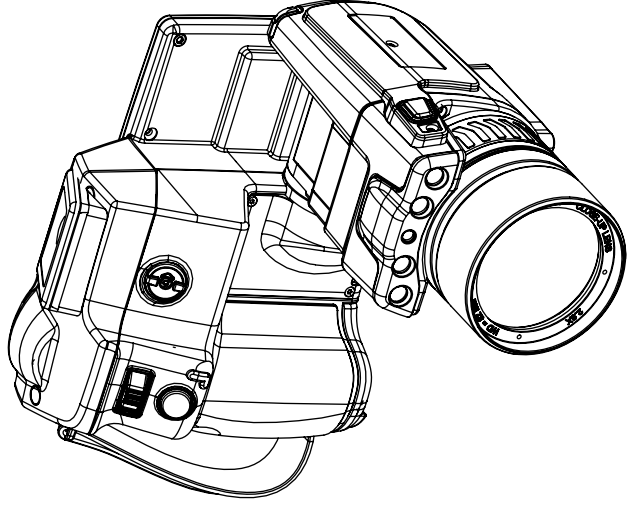
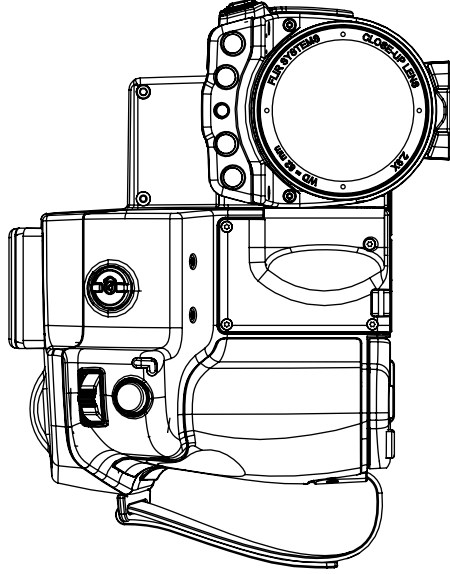
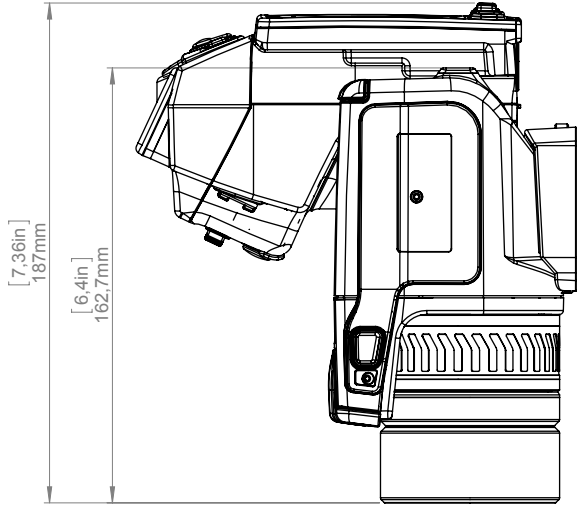
© 2020, FLIR Systems, Inc.

#T198059; r. 42932; en-US

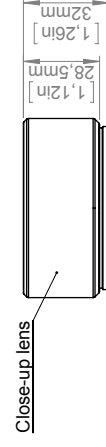
Compatible with the following products:

- 55001-0102; FLIR A615 25°
- 55001-0302; FLIR A655sc 25°

Camera with Close-up lens 2,9X (50 µm)



IR Lens f=24,6 mm (25°)



For additional dimensions see page 1

Modified 2012-04-19
2012-04-19
Check CAHA
Denomination

Drawn by R&D Thermography

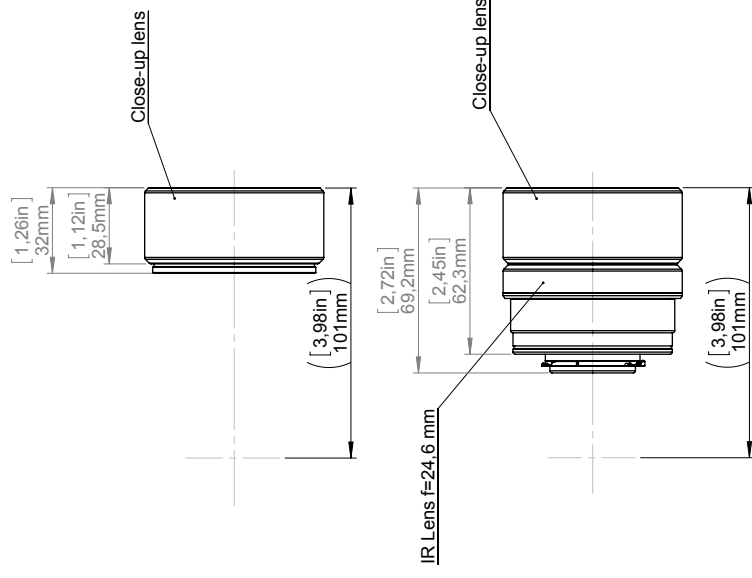
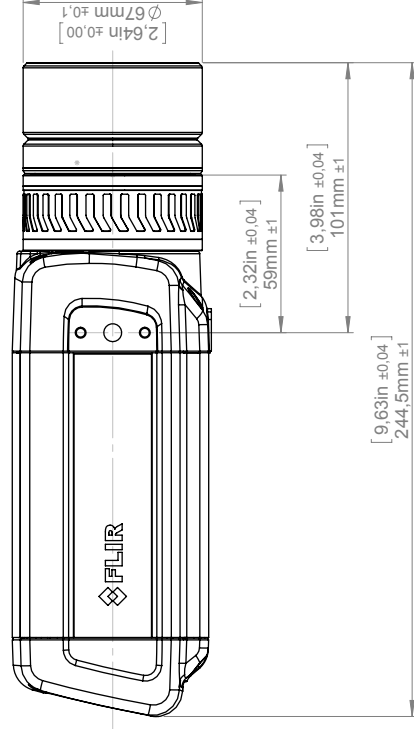
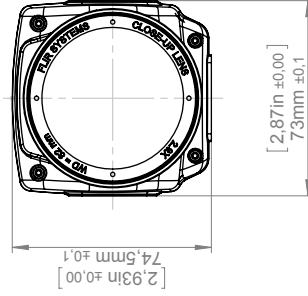
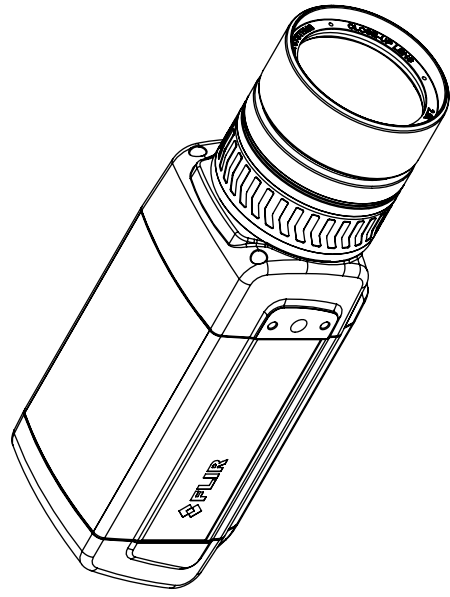
Size A3
Scale 1:2

Basic dimensions FLIR T6xx



Sheet 8(9)
Drawing No. T127424
Size A

Camera with Close-up lens (50 μm)



For additional dimensions see page 1

Modified 2012-04-18	Check CAHA	Drawn by R&D Thermography	Size A3		
Denomination Basic dimensions FLIR A/SC 6xx			Scale 1:2		
				Drawing No. T126925	Size A

© 2012, FLIR Systems, Inc. All rights reserved worldwide. No part of this drawing may be reproduced, stored in a retrieval system, or transmitted in any form, or by any means, electronic, mechanical, photocopying, recording, or otherwise, without written permission from FLIR Systems, Inc. Specifications subject to change without further notice. Dimensional data is based on nominal values. Products may be subject to regional market considerations. License procedures may apply. Product may be subject to US Export Regulations. Please refer to exportquestions@flir.com with any questions. Diversion contrary to US law is prohibited.