

P/N: T198066

Copyright

© 2016, FLIR Systems, Inc.

All rights reserved worldwide. Names and marks appearing herein are either registered trademarks or trademarks of FLIR Systems and/or its subsidiaries. All other trademarks, trade names or company names referenced herein are used for identification only and are the property of their respective owners.

Document identity

Publ. No.: T198066
 Release:
 Commit: 29700
 Language: en-US
 Modified: 2015-10-16
 Formatted: 2016-05-31

Website

<http://www.flir.com>

Customer support

<http://support.flir.com>

Disclaimer

Specifications subject to change without further notice. Camera models and accessories subject to regional market considerations. License procedures may apply. Products described herein may be subject to US Export Regulations. Please refer to exportquestions@flir.com with any questions.



General description	
For R&D usage or development purposes. As an example looking at PCB's or small electronic components.	
Imaging and optical data	
Field of view (FOV)	16 × 12 mm (20 mm diagonally)
Magnifying factor	1.5x
Working distance	46 mm
Depth of field	0.21 mm
Focal length	62 mm
Spatial resolution (IFOV)	25 µm
Lens identification	Automatic
F-number	1.1
Number of lenses	4 (4 asph)
MTF @ 70% of FOV	Normal requirements (52%)
Distortion	< 3%
Physical data	
Weight	0.48 kg (1.1 lb.)
Size (L × D)	86 × 67 mm
Front lens diameter	52 mm
Shipping information	
Packaging, type	Cardboard box
List of contents	<ul style="list-style-type: none"> • Lens • Front lens cap • Rear lens cap • Case • Instruction for mounting close-up lenses
Packaging, weight	0.737 kg (1.6 lb.)
Packaging, size	172 × 131 × 133 mm (6.8 × 5.2 × 5.2 in.)
EAN-13	73325585552
UPC-12	84518805764
Country of origin	Sweden

Compatible with the following products

- 55903-1015; FLIR T600 15° (incl. Wi-Fi and Ext. cal.)

P/N: T198066

© 2016, FLIR Systems, Inc.

#T198066; r./29700; en-US

- 55903-0922; FLIR T600 15° (incl. Wi-Fi)
- 55903-1016; FLIR T600 25° (incl. Wi-Fi and Ext. cal.)
- 55903-1022; FLIR T600 25° (incl. Wi-Fi)
- 55903-1007; FLIR T600 25° and 15° w/case
- 55903-1008; FLIR T600 25° and 45° w/case
- 55903-1017; FLIR T600 45° (incl. Wi-Fi and Ext. cal.)
- 55903-1522; FLIR T600 45° (incl. Wi-Fi)
- 55903-2823; FLIR T600bx 25° (incl. Wi-Fi and Ext. cal.)
- 55903-2822; FLIR T600bx 25° (incl. Wi-Fi)
- 55903-2923; FLIR T600bx 45° (incl. Wi-Fi and Ext. cal.)
- 55903-2922; FLIR T600bx 45° (incl. Wi-Fi)
- 55903-8022; FLIR T610 15° (incl. Wi-Fi)
- 55903-3922; FLIR T610 25° (incl. Wi-Fi)
- 55903-4022; FLIR T610 45° (incl. Wi-Fi)
- 55903-5023; FLIR T620 15° (incl. Wi-Fi and Ext. cal.)
- 55903-5022; FLIR T620 15° (incl. Wi-Fi)
- 55903-5125; FLIR T620 25° (incl. Wi-Fi and Ext. cal.)
- 55903-5122; FLIR T620 25° (incl. Wi-Fi)
- 55903-5123; FLIR T620 25° and 15° (incl. Wi-Fi)
- 55903-5124; FLIR T620 25° and 45° (incl. Wi-Fi)
- 55903-5223; FLIR T620 45° (incl. Wi-Fi and Ext. cal.)
- 55903-5222; FLIR T620 45° (incl. Wi-Fi)
- 55903-5623; FLIR T620bx 15° (incl. Wi-Fi and Ext. cal.)
- 55903-5622; FLIR T620bx 15° (incl. Wi-Fi)
- 55903-5723; FLIR T620bx 25° (incl. Wi-Fi and Ext. cal.)
- 55903-5722; FLIR T620bx 25° (incl. Wi-Fi)
- 55903-5823; FLIR T620bx 45° (incl. Wi-Fi and Ext. cal.)
- 55903-5822; FLIR T620bx 45° (incl. Wi-Fi)
- 55904-6222; FLIR T630 15° (incl. Wi-Fi)
- 55904-6322; FLIR T630 25° (incl. Wi-Fi)
- 55904-6422; FLIR T630 45° (incl. Wi-Fi)
- 55904-8023; FLIR T630sc 15° (incl. Wi-Fi)
- 55904-8123; FLIR T630sc 25° (incl. Wi-Fi)
- 55904-8124; FLIR T630sc 25° and 45° w/case
- 55904-8223; FLIR T630sc 45° (incl. Wi-Fi)
- 55904-6823; FLIR T640 15° (incl. Wi-Fi and Ext. cal.)
- 55904-6822; FLIR T640 15° (incl. Wi-Fi)
- 55904-6925; FLIR T640 25° (incl. Wi-Fi and Ext. cal.)
- 55904-6922; FLIR T640 25° (incl. Wi-Fi)
- 55904-6923; FLIR T640 25° and 15° (incl. Wi-Fi)
- 55904-6924; FLIR T640 25° and 45° (incl. Wi-Fi)
- 55904-7023; FLIR T640 45° (incl. Wi-Fi and Ext. cal.)
- 55904-7022; FLIR T640 45° (incl. Wi-Fi)
- 55904-7423; FLIR T640bx 15° (incl. Wi-Fi and Ext. cal.)
- 55904-7422; FLIR T640bx 15° (incl. Wi-Fi)
- 55904-7523; FLIR T640bx 25° (incl. Wi-Fi and Ext. cal.)
- 55904-7522; FLIR T640bx 25° (incl. Wi-Fi)
- 55904-7623; FLIR T640bx 45° (incl. Wi-Fi and Ext. cal.)
- 55904-7622; FLIR T640bx 45° (incl. Wi-Fi)
- 55904-7723; FLIR T650sc 15° (incl. Wi-Fi)
- 55904-7823; FLIR T650sc 25° (incl. Wi-Fi)
- 55904-7824; FLIR T650sc 25° and 15° w/case
- 55904-7825; FLIR T650sc 25° and 45° w/case
- 55904-7923; FLIR T650sc 45° (incl. Wi-Fi)
- 55904-8423; FLIR T660 15° (incl. Wi-Fi and Ext. cal.)
- 55904-8422; FLIR T660 15° (incl. Wi-Fi)
- 55904-8523; FLIR T660 25° (incl. Wi-Fi and Ext. cal.)
- 55904-8522; FLIR T660 25° (incl. Wi-Fi)
- 55904-8524; FLIR T660 25° and 15° w/case



Close-up IR lens, 1.5× (25 μm) with case

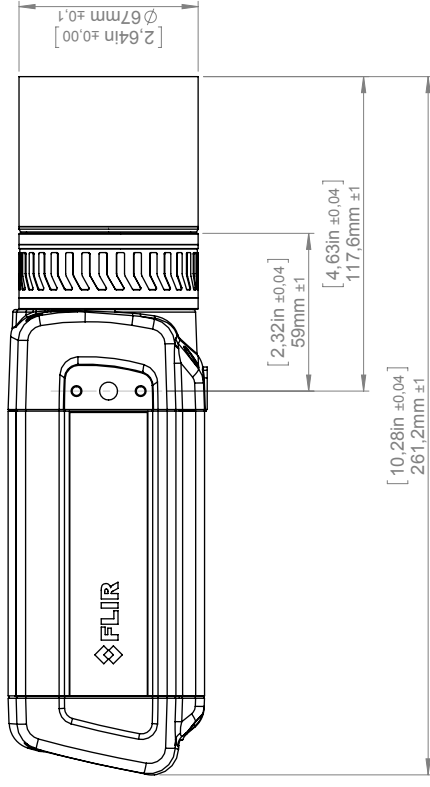
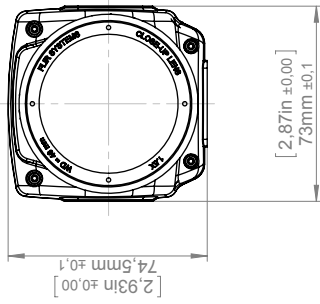
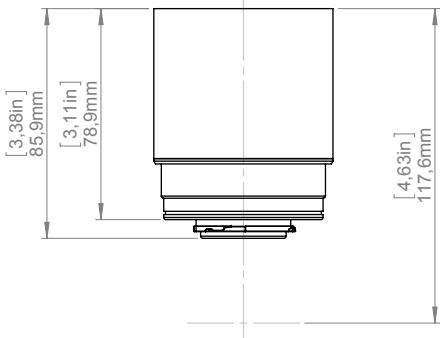
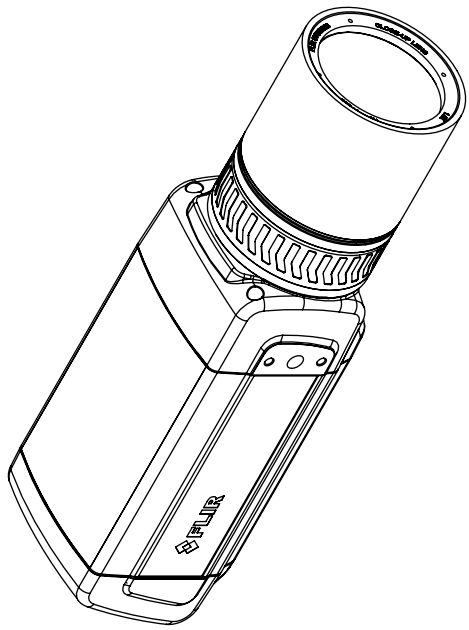
P/N: T198066

© 2016, FLIR Systems, Inc.

#T198066; r./29700; en-US

- 55904-8525; FLIR T660 25° and 45° w/case
- 55904-8623; FLIR T660 45° (incl. Wi-Fi and Ext. cal.)
- 55904-8622; FLIR T660 45° (incl. Wi-Fi)
- 55001-0102; FLIR A615 25°
- 55001-0103; FLIR A615 45°
- 55001-0302; FLIR A655sc 25°
- 55001-0303; FLIR A655sc 45°

Camera with Close-up lens 1,5X (25 µm)

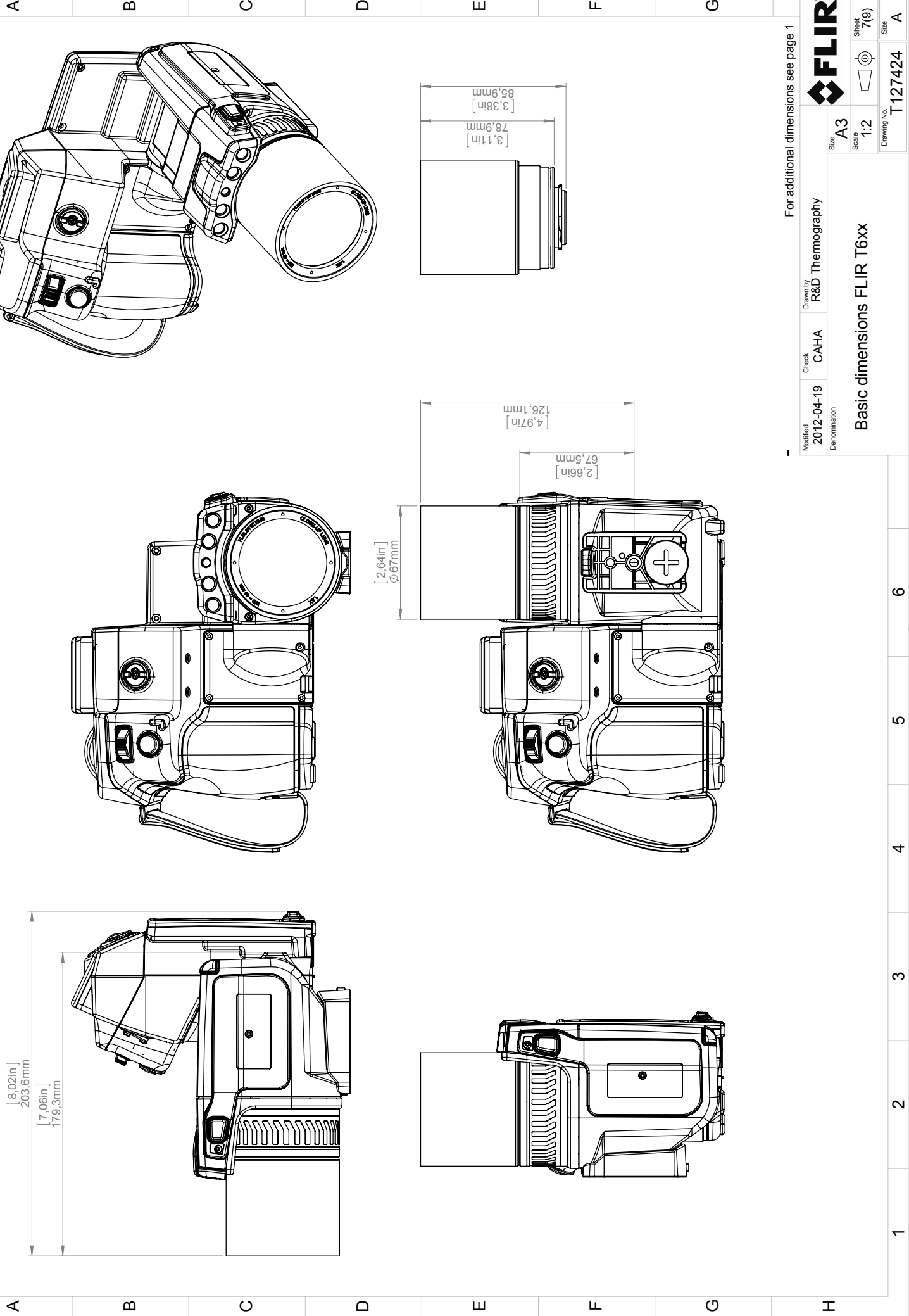
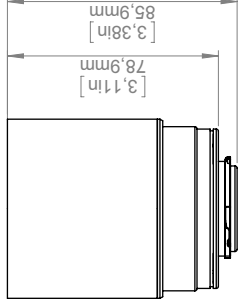
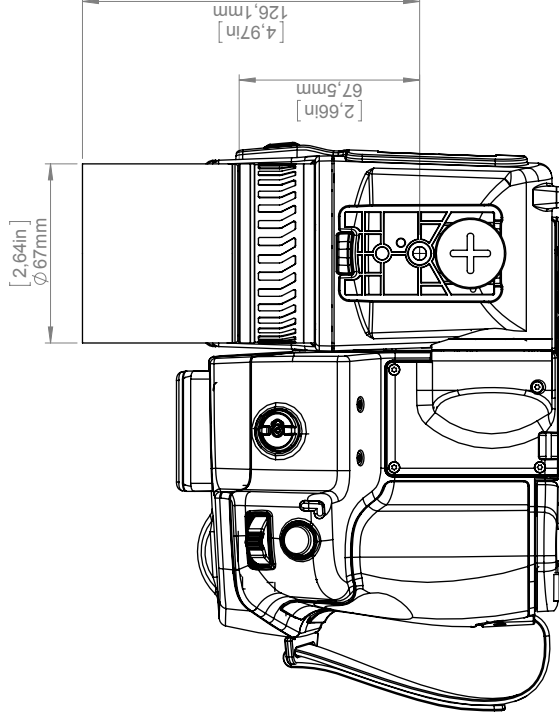
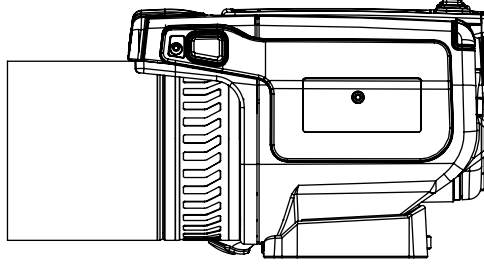
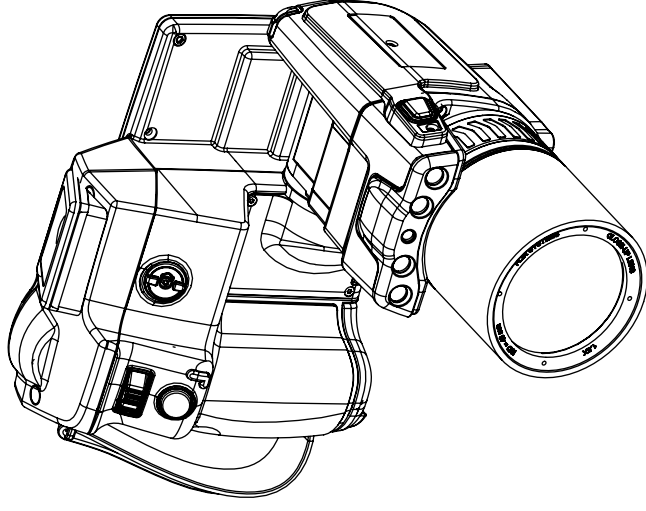
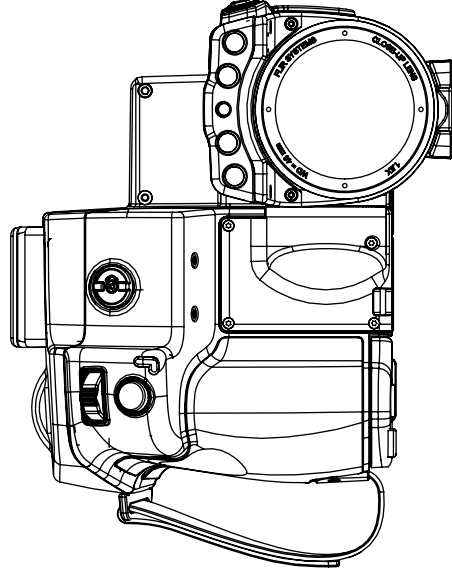
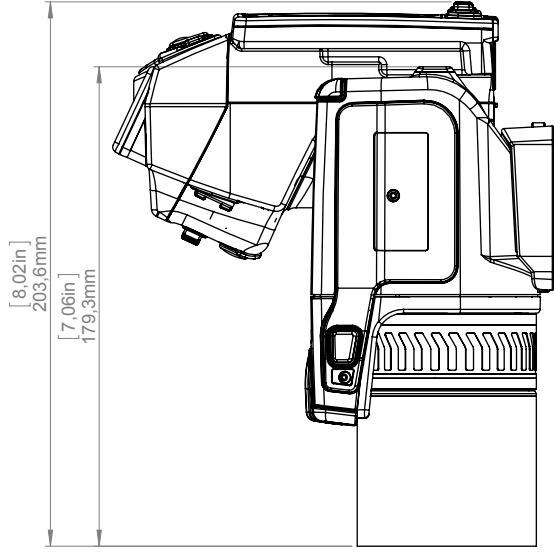


© 2012, FLIR Systems, Inc. All rights reserved worldwide. No part of this drawing may be reproduced, stored in a retrieval system, or transmitted in any form, or by any means, electronic, mechanical, photocopying, recording, or otherwise, without written permission from FLIR Systems, Inc. Specifications subject to change without further notice. Dimensional data is based on nominal values. Products may be subject to regional market considerations. License procedures may apply. Product may be subject to US Export Regulations. Please refer to exportquestions@flir.com with any questions. Diversion contrary to US law is prohibited.

For additional dimensions see page 1

Modified	2012-04-18	Check	CAHA	Drawn by	R&D Thermography	Size	A3
Denomination				Basic dimensions FLIR A/SC 6xx		Scale	1:2
						Sheet	7(9)
						Drawing No.	T126925
						Size	A

Camera with Close-up lens 1,5X (25 µm)



© 2012, FLIR Systems, Inc. All rights reserved worldwide. No part of this drawing may be reproduced, stored in a retrieval system, or transmitted in any form, or by any means, electronic, mechanical, photocopying, recording, or otherwise, without written permission from FLIR Systems, Inc. Specifications subject to change without further notice. Dimensional data is based on nominal values. Products may be subject to regional market considerations. License procedures may apply. Product may be subject to US Export Regulations. Please refer to exportquestions@flir.com with any questions. Diversion contrary to US law is prohibited.

For additional dimensions see page 1

Modified 2012-04-19 Denomination	Check CAHA	Drawn by R&D Thermography	Size A3	Sheet 7(9)	A
Basic dimensions FLIR T6xx			Scale 1:2	Drawing No. T127424	Size A