

P/N: T198322ACC

Copyright

© 2020, FLIR Systems, Inc.

All rights reserved worldwide. Names and marks appearing herein are either registered trademarks or trademarks of FLIR Systems and/or its subsidiaries. All other trademarks, trade names or company names referenced herein are used for identification only and are the property of their respective owners.

Document identity

Publ. No.: T198322ACC

Commit: 63645

Language: en-US

Modified: 2020-02-13

Formatted: 2020-02-13

Website

<http://www.flir.com>

Customer support

<http://support.flir.com>

Disclaimer

Specifications subject to change without further notice. Camera models and accessories subject to regional market considerations. License procedures may apply. Products described herein may be subject to US Export Regulations. Please refer to exportquestions@flir.com with any questions.



Power system	
Charging time	< 4 hours
Charging temperature	0°C to +45°C (+32°F to +113°F)
External power, connector type	Screw terminal or HRS_UK60-3PT
DC operation	12/ 24 V DCnominal (11.1 - 28.0 V DC)
Power	Max 36 Watts or 3000 mA at 12 VDC (5 amps fuse)

Environmental data	
Operating temperature range	-40°C to +85°C (-40°F to +185°F)
Storage temperature range	-40°C to +85°C (-40°F to +185°F)
Relative humidity	Operational for non-condensing humidity between 5% and 95%.
EMC	<ul style="list-style-type: none"> EN61000-6-3 Emission EN61000-6-2 Immunity FCC47CFR part 15 class B NFPA requirements ISO 7637-2 Road vehicles - Electrical disturbances from conduction and coupling Part 2: Electrical transient conduction along supply lines only
Encapsulation	IP 20
Bump	Operational after exposed to: 5 pulses/ in each axis/ direction (30 total) of 30g 11ms half sine profile
Vibration	Operational after exposed to: 4, 3g rms random profile. 8 hours in each axis.

Physical data	
Weight	1.050 kg
Size (L x W x H)	380 mm x 180 mm x 153 mm (15 in. x 7.1 in. x 6 in.)
Material	PC / ABS
Color	Grey / black

Shipping information	
List of contents	<ul style="list-style-type: none"> Charger Documentation Card board box
Packaging, weight	3.2 kg (7.0 lb.)



In-truck charger

P/N: T198322ACC

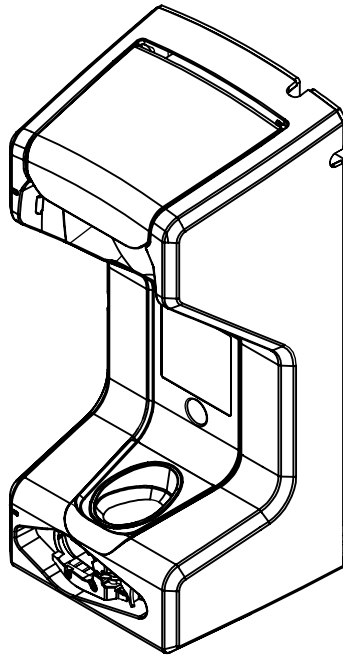
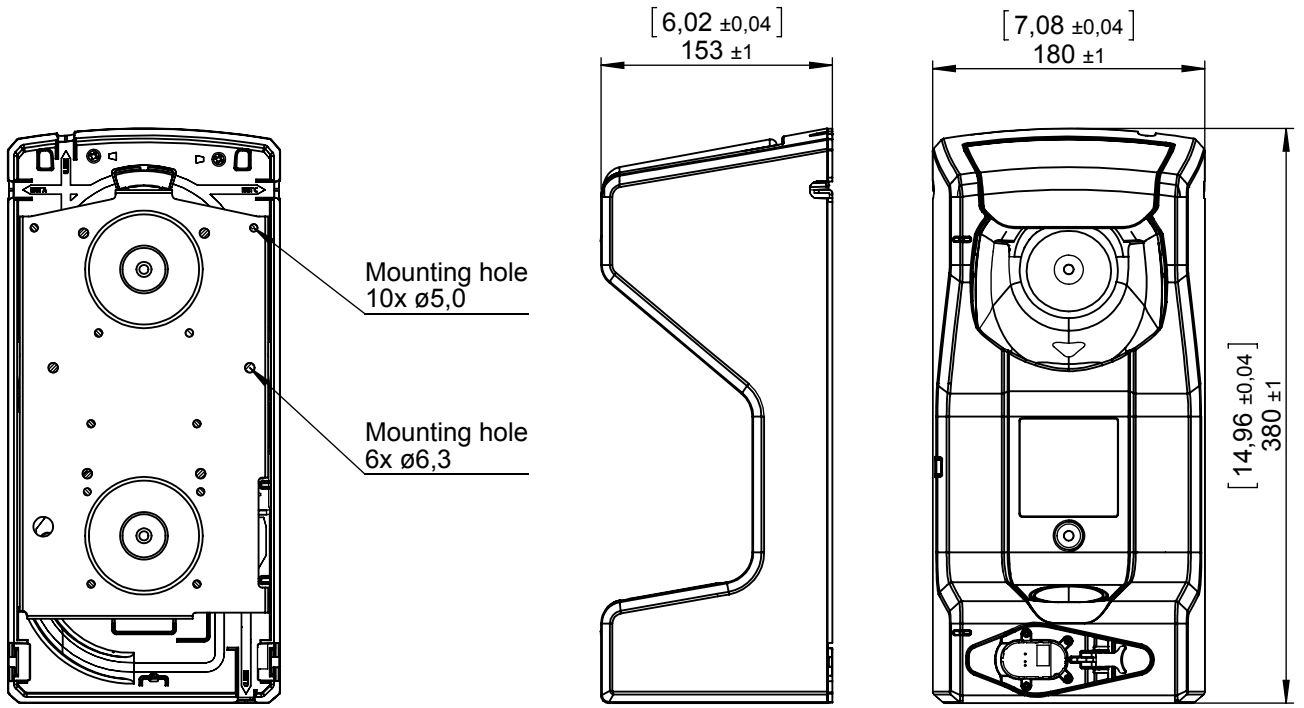
© 2020, FLIR Systems, Inc.

#T198322ACC; r. 63645; en-US

Shipping information	
Packaging, size	435 × 245 × 167 mm (17.1 × 9.6 × 6.6 in.)
EAN-13	4743254002159
UPC-12	845188011673
Country of origin	Malaysia

Compatible with the following products:

- 72203-0411; FLIR K33
- 72203-0511; FLIR K53
- 72201-0106; FLIR K45
- 72201-0206; FLIR K55
- 72202-0303; FLIR K65



Konstr/Drawn P. MARCUS	Datum/Date 2013-04-08	Kontr/Check MABR	Material	
Ändrad av/Modified by P. MARCUS	Ändrad/Modified 2013-04-08	Ytjämnhet/Roughness Ra μ m	Ytbehandling/Surface treatment	
Där ej annat anges/Unless otherwise stated Gen tol ISO 2768-mK Utdrag ur/Excerpt from ISO 2768-m	Benämning/Denomination Basic dimensions In-truck charger		Skala/Scale 1:5	Blad/Sheet 1(1)
0,5-6 $\pm 0,1$ Hålkälsradier (6)-30 $\pm 0,2$ Fillet radii (30)-120 $\pm 0,3$ (120)-400 $\pm 0,5$ Kanter brutna (400)-1000 $\pm 0,8$ Edges broken			Art.No.	Size A4
			Ritn nr/Drawing No T127865	Rev A



The World's Sixth Sense™

July 12 2019 Täby, Sweden

AQ320356

CE Declaration of Conformity – EU Declaration of Conformity

Product: FLIR In-truck charger T198322

Name and address of the manufacturer:

FLIR Systems AB

PO Box 7376

SE-187 15 Täby, Sweden

This declaration of conformity is issued under the sole responsibility of the manufacturer.

The object of the declaration: FLIR T198322 In-truck charger.

The object of the declaration described above is in conformity with the relevant Union harmonisation legislation:

Directives:

Directive	2014/30/EU	Electromagnetic Compatibility
Directive	2011/65/EU incl Am EU 2015/863	RoHS

Standards:

Emission:	EN 61000-6-3/A1:2011	Electromagnetic Compatibility Generic standards – Emission
Immunity:	EN 61000-6-2:2005 Draft EN 301489-1:2016 v2.1.0 EN 301489-17:2012 v2.2.1	Electromagnetic Compatibility Generic standards – Immunity

FLIR Systems AB
Quality Assurance



Björn Svensson
Quality Director